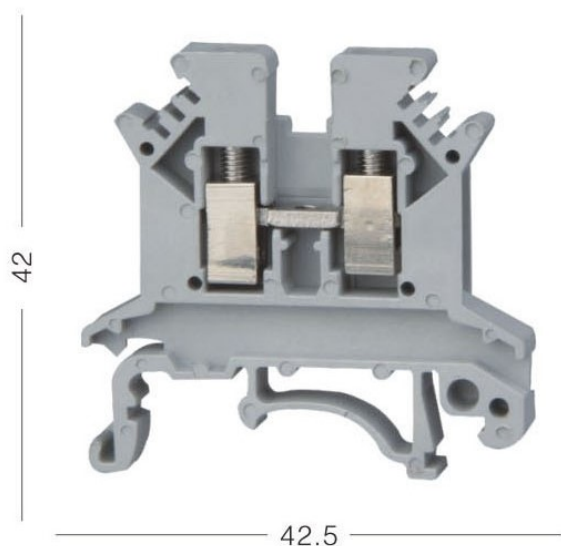


FEED – THROUGH TERMINAL BLOCK

UK series

Plastic material: PA
 Metal material: Brass
 Color: Grey

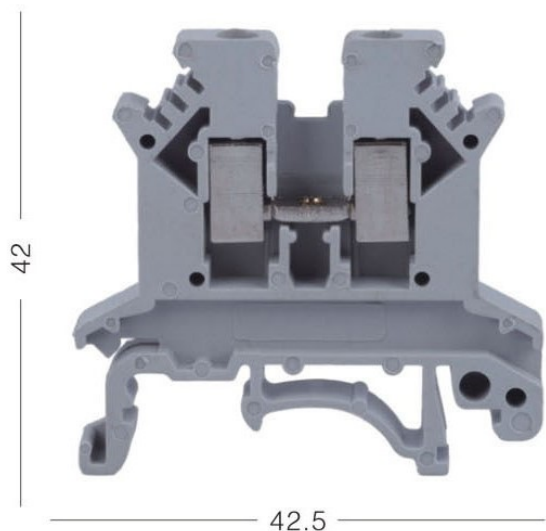
UK-1.5N



厚度 thickness:4.2

M2	"...5"	7mm
刚性导线solid wire(mm ²) 0.2-6	柔性导线stranded wire 0.14-1.5	
IEC 60947-7-1	┌型、└型	
电流current:17.5A	电压voltage:500V	
D-UK 1.5N		(D-UK 1.5)
FB1 10-4		(FB1 10-4)
ISSB1 10-4 IS-K4		(ISSB1 10-4) (IS-K4)
USBR2-7		(USBR2-7)
TS-K		(TS-K)
ATP-UK		(ATP-UK)
E/UK		(E/UK)

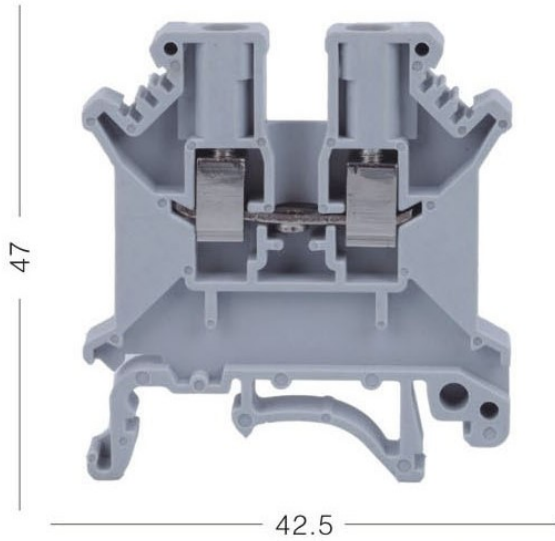
UK-2.5B



厚度 thickness:6.2

M3	"...6"	8mm
刚性导线solid wire(mm ²) 0.2-4	柔性导线stranded wire 0.2-2.5	
IEC 60947-7-1	┌型、└型	
电流current:32A	电压voltage:800V	
D-UK 2.5N		(D-UK 2.5)
FB1 10-6		(FB1 10-6)
ISSB1 10-6 IS-K4		(ISSB1 10-6) (IS-K4)
USBR2-7		(USBR2-7)
TS-K		(TS-K)
ATP-UK		(ATP-UK)
E/UK		(E/UK)

UK-3N



厚度 thickness:5.2



刚性导线solid wire(mm²) 0.2-4 柔性导线stranded wire 0.2-2.5

IEC 60947-7-1 型、型

电流current:32A 电压voltage:800V

D-UK 4/10 (D-UK 4/10)

FB1 10-5 (FB1 10-5)

EB2-5/3-5/10-5

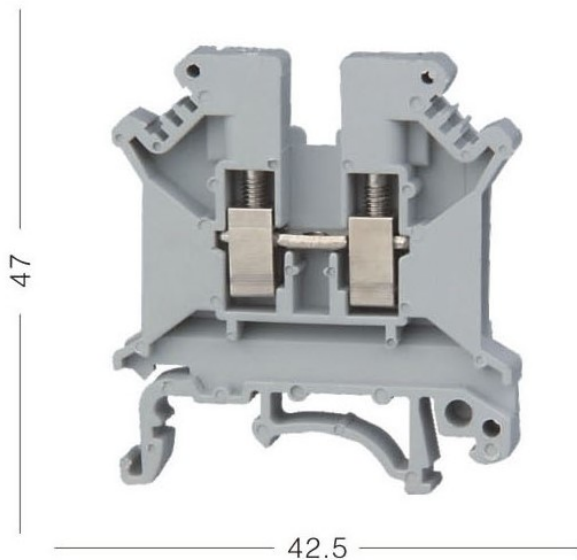
USBR2-7 (USBR2-7)

TS-K (TS-K)

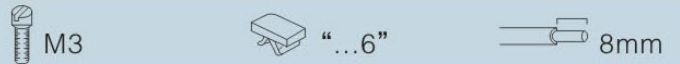
ATP-UK (ATP-UK)

E/UK (E/UK)

UK-5N



厚度 thickness:6.2



刚性导线solid wire(mm²) 0.2-6 柔性导线stranded wire 0.2-4

IEC 60947-7-1 型、型

电流current:41A 电压voltage:800V

D-UK 4/10 (D-UK 4/10)

FB1 10-6 (FB1 10-6)

ISSB1 10-6 (ISSB1 10-6)
IS-K4 (IS-K4)

USBR2-7 (USBR2-7)

TS-K (TS-K)

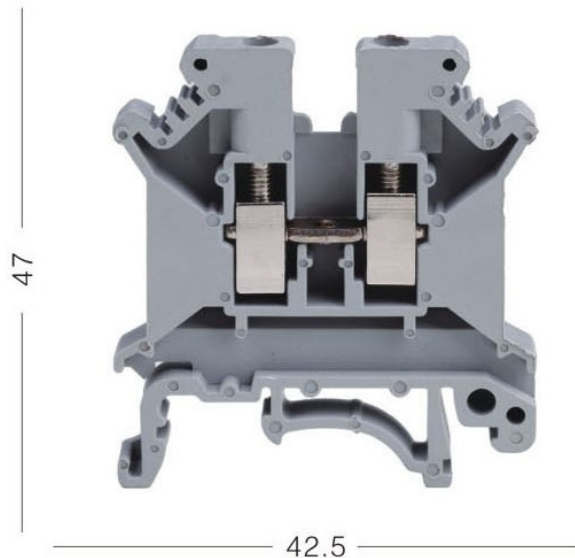
ATP-UK (ATP-UK)

E/UK (E/UK)

EB 2-6/3-6/10-6

厚度 thickness:8.2

UK-6N



M4 "...8" 10mm

刚性导线solid wire(mm²) 0.2-10 柔性导线stranded wire 0.2-6

IEC 60947-7-1

电流current:57A 电压voltage:800V

D-UK 4/10 (D-UK 4/10)

FB1 10-8 (FB1 10-8)

ISSB1 10-8 (ISSB1 10-8)
IS-K10

UR2-8/13N (UR2-8/13N)

TS-K (TS-K)

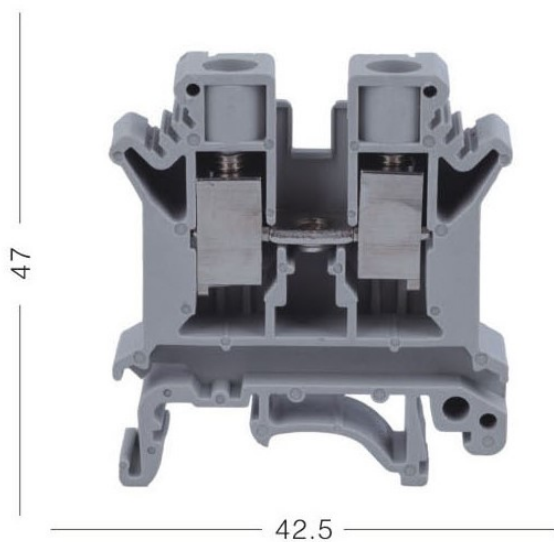
ATP-UK (ATP-UK)

E/UK (E/UK)

EB 2-8/3-8/10-8

厚度 thickness:10.2

UK-10N



M4 "...10" 12mm

刚性导线solid wire(mm²) 0.5-16 柔性导线stranded wire 0.5-10

IEC 60947-7-1

电流current:76A 电压voltage:800V

D-UK 4/10 (D-UK 4/10)

FB1 10-10 (FB1 10-10)

ISSB1 10-10 (ISSB1 10-10)
IS-K10

USBR (USBR)

TS-K (TS-K)

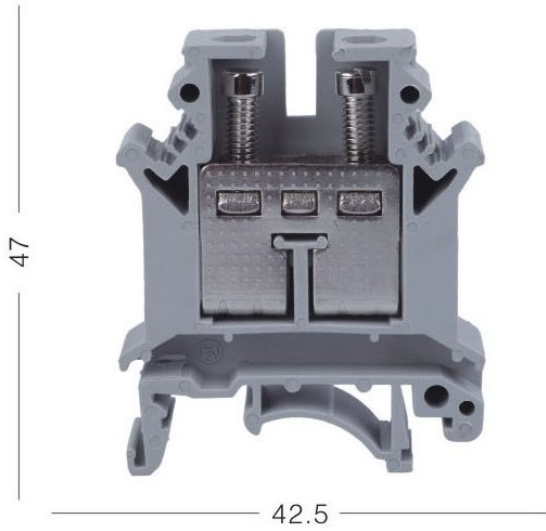
ATP-UK (ATP-UK)

E/UK (E/UK)

EB 2-10/3-10/10-10

厚度 thickness:12.2

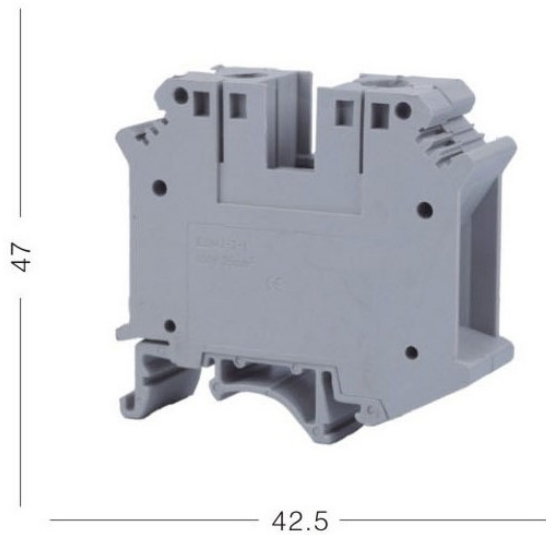
UK-16N



M4	"...10"	14mm
刚性导线solid wire(mm ²) 2.5-25	柔性导线stranded wire 4-16	
IEC 60947-7-1	┌型、└型	
电流current:101A	电压voltage:800V	
D-UK 16		(D-UK 16)
FB1 10-12		(FB1 10-12)
TS-K		(TS-K)
ATP-UK		(ATP-UK)
E/UK		(E/UK)

厚度 thickness:14.2

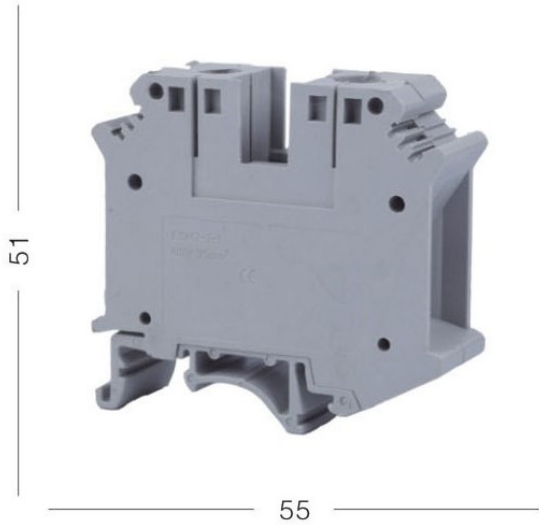
UK-25N











M4	"...10"	14mm
刚性导线solid wire(mm ²) 10-25	柔性导线stranded wire 10-25	
IEC 60947-7-1	┌型、└型	
电流current:110A	电压voltage:800V	
D-UK 25N		(D-UK 25)
FB1 10-14		(FB1 10-14)
TS-K		(TS-K)
ATP-UK		(ATP-UK)
E/UK		(E/UK)
	EB 10-12	

厚度 thickness:16

UK-35N



 M6	 "...10"	 16mm
刚性导线solid wire(mm ²) 10-35	柔性导线stranded wire 10-35	
IEC 60947-7-1	C型、U型	
电流current:125A	电压voltage:800V	
FB1 12-15		(FB1 12-15)
FB1 13-15		(FB1 13-15)
TS-K		(TS-K)
封闭式外壳，无需端板 Block shell,no end cover		
E/UK		(E/UK)
	EB 10-15	

Terminals



Fixed bridge



Separating Cover



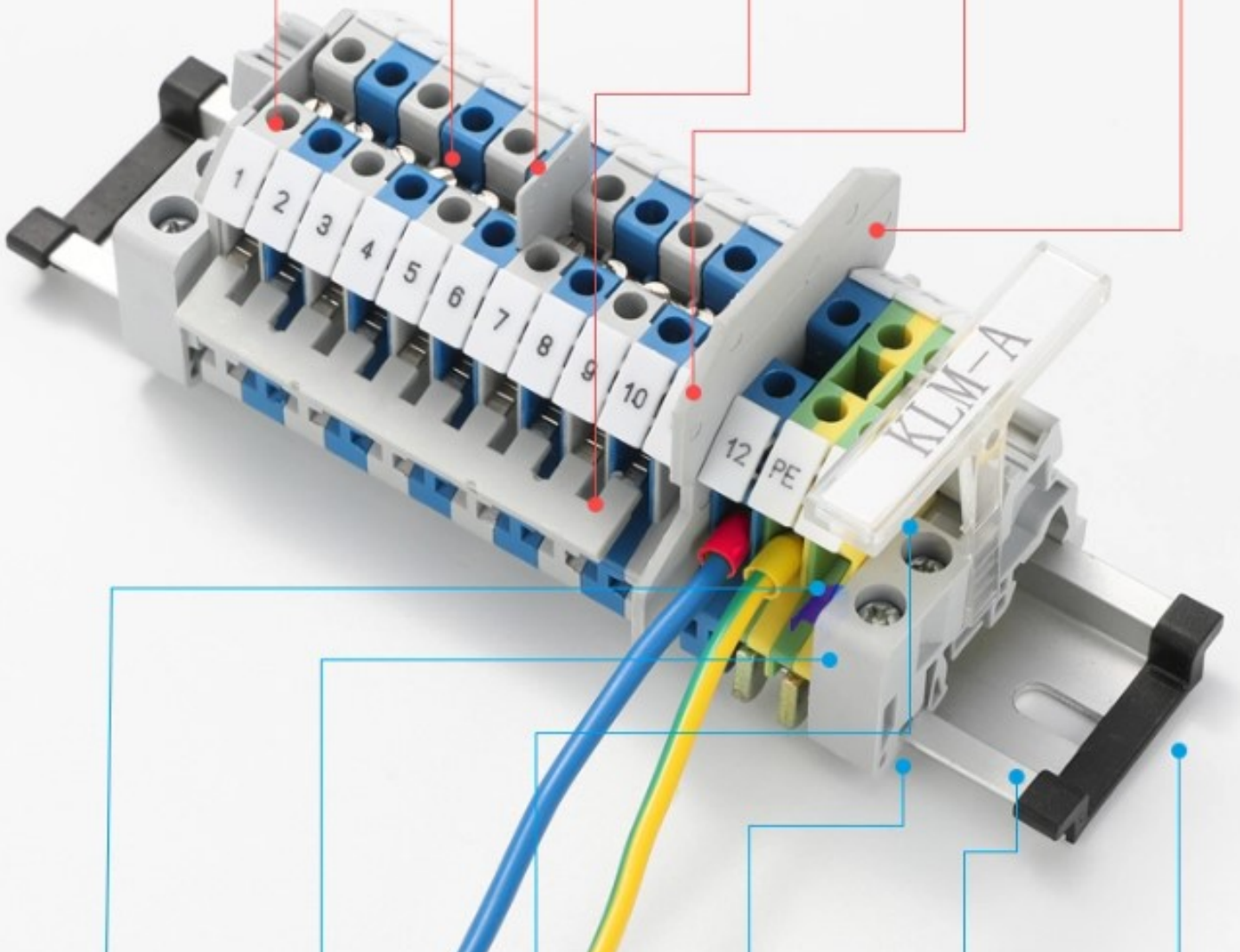
Insertion Bridge



Marker Strips



End Cover



Ferrule Terminals



Ground Terminals



Marker Carrier



End Clamp



Din Rail



Rail Protective

