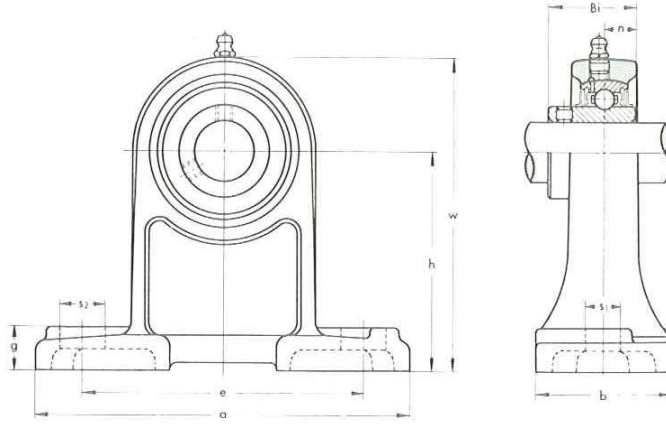


PILLOW BLOCKS

UCPH 200 type

Normal Duty
Set-screw Locking

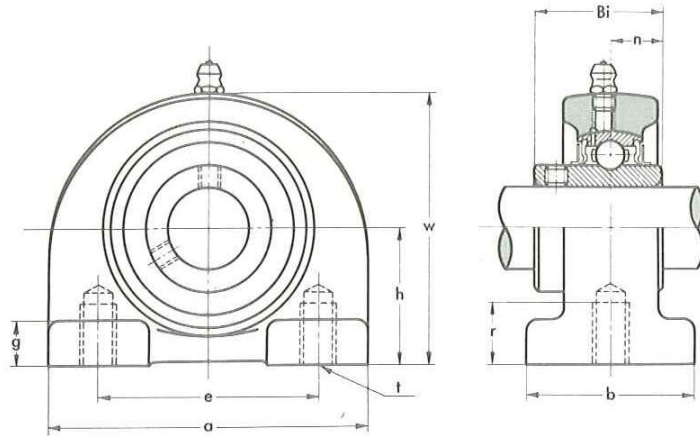


Unit No.	Shaft Diam. mm	Dimensions mm										Bolt Size mm	Bearing No.	Housing No.	Weight kg
		h	a	e	b	s ₁	s ₂	g	w	Bi	n				
UCPH 201	12	70	127	95	40	13	19	15	101	31	12.7	M10	UC 201	PH 204	1.0
UCPH 202	15	70	127	95	40	13	19	15	101	31	12.7	M10	UC 202	PH 204	0.99
UCPH 203	17	70	127	95	40	13	19	15	101	31	12.7	M10	UC 203	PH 204	0.98
UCPH 204	20	70	127	95	40	13	19	15	101	31	12.7	M10	UC 204	PH 204	0.96
UCPH 205	25	80	140	105	50	13	19	16	114	34.1	14.3	M10	UC 205	PH 205	1.2
UCPH 206	30	90	165	121	50	17	21	18	130	38.1	15.9	M14	UC 206	PH 206	1.9
UCPH 207	35	95	167	127	60	17	21	19	140	42.9	17.5	M14	UC 207	PH 207	2.4
UCPH 208	40	100	184	137	70	17	25	19	149	49.2	19	M14	UC 208	PH 208	2.8
UCPH 209	45	105	190	146	70	17	25	20	157	49.2	19	M14	UC 209	PH 209	3.2
UCPH 210	50	110	206	159	70	20	25	22	165	51.6	19	M16	UC 210	PH 210	3.6

PILLOW BLOCKS

UCPA 200 type

Normal Duty
Set-screw Locking

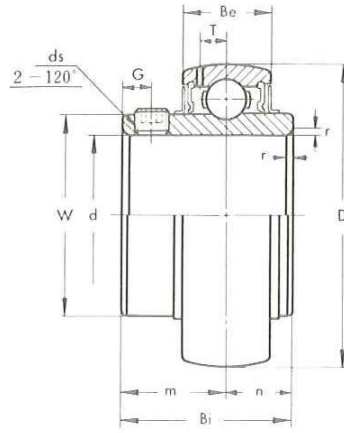


Unit No.	Shaft Diam. mm	Dimensions mm									Bolt Size mm	Bearing No.	Housing No.	Weight kg
		h	a	e	b	r	g	w	Bi	n				
UCPA 201	12	30.2	76	52	38	12	8	62	31	12.7	M10	UC 201	PA 204	0.65
UCPA 202	15	30.2	76	52	38	12	8	62	31	12.7	M10	UC 202	PA 204	0.63
UCPA 203	17	30.2	76	52	38	12	8	62	31	12.7	M10	UC 203	PA 204	0.62
UCPA 204	20	30.2	76	52	38	12	8	62	31	12.7	M10	UC 204	PA 204	0.60
UCPA 205	25	36.5	84	56	38	15	10	72	34.1	14.3	M10	UC 205	PA 205	0.81
UCPA 206	30	42.9	94	66	48	18	10	84	38.1	15.9	M14	UC 206	PA 206	1.2
UCPA 207	35	47.6	110	80	48	20	12	95	42.9	17.5	M14	UC 207	PA 207	1.7
UCPA 208	40	49.2	116	84	54	20	12	100	49.2	19	M14	UC 208	PA 208	1.9
UCPA 209	45	54.2	120	90	54	25	12	108	49.2	19	M14	UC 209	PA 209	2.2
UCPA 210	50	57.2	130	94	60	25	14	116	51.6	19	M16	UC 210	PA 210	2.6

BALL BEARINGS

UC 200 type

Normal Duty
Set-screw Locking



《Metric series》

Bearing No.	Dimensions mm											Basic Load Rating kg		Weight kg
	d	D	Bi	Be	r	n	m	G	ds	T	W	Dynamic C	Static Co	
UC 201	12	47	31	17	1	12.7	18.3	4.5	M6×0.75	4.5	29	1310	630	0.21
UC 202	15	47	31	17	1	12.7	18.3	4.5	M6×0.75	4.5	29	1310	630	0.19
UC 203	17	47	31	17	1	12.7	18.3	4.5	M6×0.75	4.5	29	1310	630	0.18
UC 204	20	47	31	17	1.5	12.7	18.3	4.5	M6×0.75	4.5	29	1310	630	0.16
UC 205	25	52	34.1	17	1.5	14.3	19.8	5	M6×0.75	4.5	34	1430	710	0.19
UC 206	30	62	38.1	19	1.5	15.9	22.2	5	M6×0.75	5.1	40.5	2000	1020	0.31
UC 207	35	72	42.9	20	2	17.5	25.4	6	M8×1	5.8	48	2640	1400	0.48
UC 208	40	80	49.2	21	2	19	30.2	8	M8×1	6.2	53	2990	1600	0.62
UC 209	45	85	49.2	22	2	19	30.2	8	M8×1	6.5	57.3	3350	1810	0.67
UC 210	50	90	51.6	23	2	19	32.6	9	M10×1.25	6.5	63	3600	2010	0.78
UC 211	55	100	55.6	24	2.5	22.2	33.4	9	M10×1.25	7.3	70	4400	2550	1.03
UC 212	60	110	65.1	26	2.5	25.4	39.7	10	M10×1.25	7.7	77	5350	3150	1.45
UC 213	65	120	65.1	27	2.5	25.4	39.7	10	M10×1.25	8.3	82.1	5850	3500	1.71
UC 214	70	125	74.6	29	2.5	30.2	44.4	12	M12×1.5	8.7	87	6350	3800	2.06
UC 215	75	130	77.8	30	2.5	33.3	44.5	14	M12×1.5	9.2	91.5	6750	4200	2.22
UC 216	80	140	82.6	32	3	33.3	49.3	14	M12×1.5	9.6	98.5	7400	4550	2.82
UC 217	85	150	85.7	34	3	34.1	51.6	14	M12×1.5	10.5	105	8500	5500	3.38
UC 218	90	160	96	36	3	39.7	56.3	15	M12×1.5	11.1	111.5	9750	6300	4.34

《Inch series》

Bearing No.	Dimensions in.											Basic Load Rating lb.		Weight lb.
	d	D	Bi	Be	r	n	m	G	ds(UNF)	T	W	Dynamic C	Static Co	
UC 201-8	1/2													0.46
* UC 202-9	9/16	1.8504	1.220	0.669	0.039	0.500	0.720	0.177	1/4-28	0.177	1.142	2890	1390	0.42
UC 202-10	5/8													
* UC 203-11	11/16													0.40
UC 204-12	3/4	1.8504	1.220	0.669	0.059	0.500	0.720	0.177	1/4-28	0.177	1.142	2890	1390	0.35
* UC 205-14	7/8	2.0472	1.342	0.669	0.059	0.563	0.780	0.197	1/4-28	0.177	1.339	3150	1560	0.42
UC 205-15	15/16													
UC 205-16	1													
* UC 206-17	1 1/16	2.4409	1.500	0.748	0.059	0.626	0.874	0.197	1/4-28	0.201	1.594	4410	2250	0.68
UC 206-18	1 1/8													
UC 206-19	1 3/16													
UC 207-20	1 1/4	2.8346	1.689	0.787	0.079	0.689	1.000	0.236	5/16-24	0.228	1.890	5820	3090	1.06
UC 207-21	1 5/16													
UC 207-22	1 3/8													
UC 207-23	1 7/16													
* UC 208-24	1 1/2	3.1496	1.937	0.827	0.079	0.748	1.189	0.315	5/16-24	0.244	2.087	6590	3530	1.37
UC 208-25	1 9/16													
UC 209-26	1 5/8	3.3465	1.937	0.866	0.079	0.748	1.189	0.315	5/16-24	0.256	2.256	7390	3990	1.48
UC 209-27	1 11/16													
UC 209-28	1 3/4													
UC 210-30	1 7/8	3.5433	2.031	0.906	0.079	0.748	1.283	0.354	3/8-24	0.256	2.480	7940	4430	1.72
UC 210-31	1 15/16													
* UC 211-32	2	3.9370	2.189	0.945	0.098	0.874	1.315	0.354	3/8-24	0.287	2.756	9700	5620	2.27
UC 211-34	2 1/8													
UC 211-35	2 3/16													
UC 212-36	2 1/4	4.3307	2.563	1.024	0.098	1.000	1.563	0.394	3/8-24	0.303	3.031	11800	6940	3.20
UC 212-38	2 3/8													
UC 212-39	2 1/2													
UC 213-40	2 1/2	4.7244	2.563	1.063	0.098	1.000	1.563	0.394	3/8-24	0.327	3.232	12900	7720	3.77
* UC 214-44	2 3/4	4.9213	2.937	1.142	0.098	1.189	1.748	0.472	7/16-20	0.343	3.425	14000	8380	4.54
* UC 215-48	3	5.1181	3.063	1.181	0.098	1.311	1.752	0.551	7/16-20	0.362	3.602	14900	9260	4.89
* UC 216-50	3 1/8	5.5118	3.252	1.260	0.118	1.311	1.941	0.551	7/16-20	0.378	3.878	16300	10000	6.22
* UC 217-52	3 1/4	5.9055	3.374	1.339	0.118	1.343	2.031	0.551	7/16-20	0.413	4.134	18700	12100	7.45
* UC 218-56	3 1/2	6.2992	3.780	1.417	0.118	1.563	2.217	0.591	1/2-20	0.437	4.390	21500	13900	9.57