

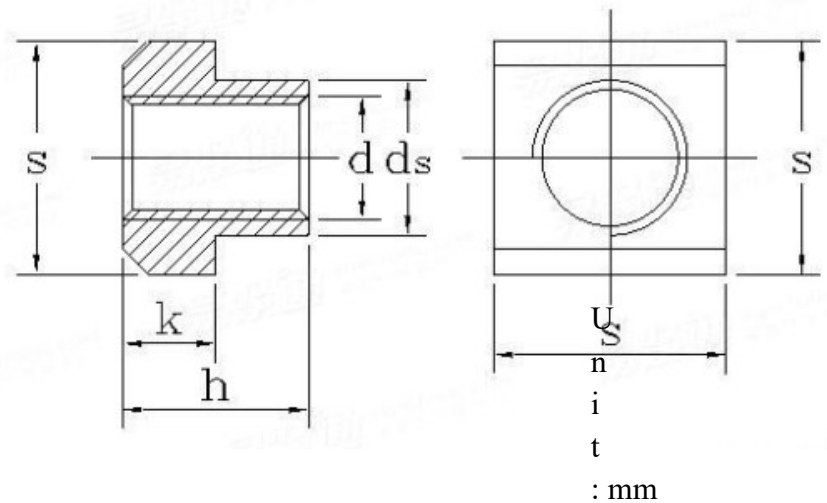
# T-SLOTS NUTS



- **Material:** Metal
- **Surface treatment:** Black oxide
- **High-quality material:** The T Slot Nuts are made of 45 steel, black oxide finish, features high hardness, high strength, reliable in use
- **Practical:** Undersized to fit machine table slot case hardened. You can use it with peace of mind.
- **Application:** It is used for T-slot aluminum extrusions to connect other parts. Bring you a new and different using feeling
- **Reliable:** Bottom of T-Slot nut is staked to prevent the stud from protrusion. Meet your needs
- **Easy to use:** T-Slot nuts enable the user to add clamps to a fixture without tearing down existing clamps. Its quality is guaranteed.

## TSN-BO-Thread size

Ex model: TSN-BO-M5



: mm

Thread size (d)	ds	s	k	h
M5	6	10	4	8
M6	8	13	6	10
M8	10	15	6	12
M10	12	18	7	14
M12	14	22	8	16
M14	16	25	9	18
M16	18	28	10	20
M18	20	32	12	24
M20	22	35	14	28
M24	28	44	18	36