

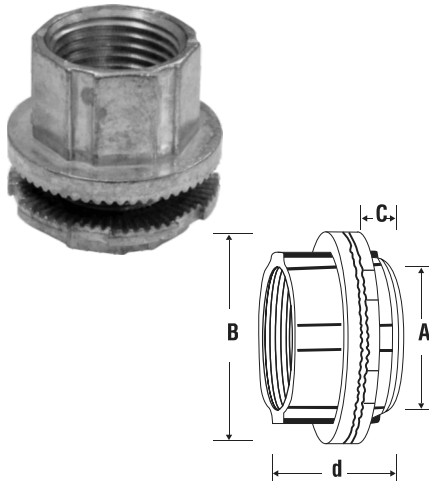
CONDUIT FITTINGS

Connector & Couplings

RIGID WATER - TIGHT HUB

TYPE: TRWH

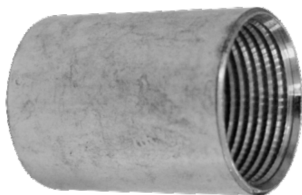
- ▶ Used to connect rigid conduit / IMC conduit and box or other accessories.
- ▶ Material: zinc die cast
- ▶ American standard, NPT thread



Used for Box		Zinc Die Cast				
Product Code	Conduit Size	Diameter				Thread
		d	A	B	C	
TRWH21	1/2"	15	33	34	14	G1/2" NPT1/2"
TRWH22	3/4"	19.5	38	41.5	15	G3/4" NPT3/4"
TRWH23	1"	34	42	48	17	G1" NPT1"
TRWH24	1 1/4"	34	46	58.5	19	G1-1/4" NPT1-1/4"
TRWH25	1 1/2"	40	45	65	19	G1-1/2" NPT1-1/2"
TRWH26	2"	47.5	48.5	80	20	G2" NPT2"
TRWH27	2 1/2"	63	54	98	25	G2-1/2" NPT2-1/2"
TRWH28	3"	74	65.5	109	26	G3" NPT3"
TRWH29	3 1/2"	85.0	66.5	121	27	G2-1/2" NPT2-1/2"
TRWH30	4"	97	68	137	29	G4" NPT4"

RIGID CONDUIT COUPLINGS FOR THREADED RIGID CONDUIT

- ▶ Used to connect steel tube
- ▶ High temperature resistant oil proof, oxidation resistant
- ▶ Material: seamless alloy steel



Used for Pipe		Steel
Product Code	Conduit Size	
IP21	1/2"	
IP22	3/4"	
IP23	1"	
IP24	1 1/4"	
IP25	1 1/2"	
IP26	2"	
IP27	2 1/2"	
IP28	3"	
IP29	3 1/2"	
IP30	4"	

METAL FERRULE FOR FLEXIBLE CONDUIT

TYPE: TMFFC

- ▶ Used for connector to connect flexible conduit
- ▶ Protect flexible conduit from damage and ensure compact connection
- ▶ Material: steel



Used for Pipe		Zinc Die Cast		
Product Code	Conduit Size	Diameter		
		A	B	C
TMFFC21	1/2"	21.0	23.0	10.0
TMFFC22	3/4"	22.0	28.0	11.0
TMFFC23	1"	24.0	34.5	12.5
TMFFC24	1 1/4"	25.0	44.5	13.0
TMFFC25	1 1/2"	29.0	50.5	14.0
TMFFC26	2"	30.0	62.5	15.0
TMFFC27	2 1/2"	35.0	76.0	18.5
TMFFC28	3"	38.0	92.0	20.0
TMFFC29	3 1/2"	41.0	107.6	20.0
TMFFC30	4"	43.0	117.5	20.0