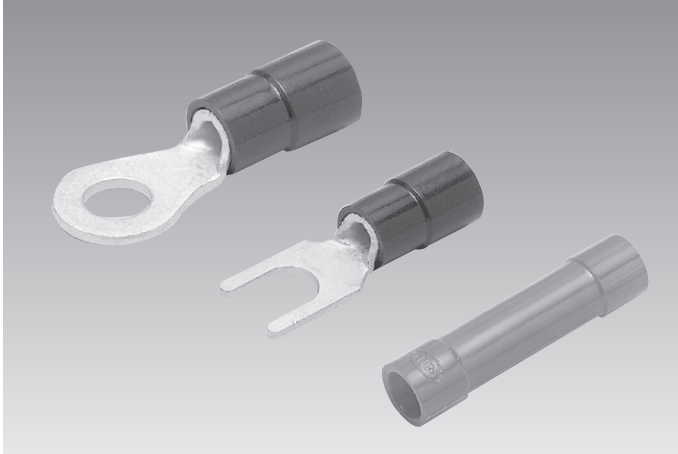


# INSULATED TERMINALS & SLEEVES



## SPECIFICATION

- MATERIAL** : Oxygen free copper strip/tube. (electro-tin-plated)  
 Insulator : Polycarbonate/ Vinyl/Nylon
- RATED VOLTAGE** : 600V (Polycarbonate)  
 300V (Vinyl/Nylon)
- RATED CURRENT** : Please see amperage rating table for insulated wires. page 143
- INSULATOR TEMPERATURE** : - 40°C~+ 125°C (Polycarbonate)  
 - 40°C~+ 75°C (Vinyl)  
 - 40°C~+ 105°C (Nylon)

## STANDARDS

- Japanese Industrial Standards, JIS C2805
- UL486A-486B (File No. E44245)
- UL · C-UL (File No. E44245)
- CSA C22.2 (File No. LR-28418)



## FOR SAFETY USE

Please observe the following points to prevent over heat and possible fire.

- Copper wire only.
- Use our recommended tools.
- Use with specified wire range.

(NOTE)

### APPLICABLE WIRE

Wire range and performance ratings comply with JIS standards wire (IV, KIV, VSF)

### UL/C-UL/CSA

To have UL/CSA listed or certified, use proper Nichifu crimp tool. To find correct tool, see our tool selection page 138~142.

### INSULATOR/COLOR

STANDARD COLOR				
	TME0.3/0.5	TME1.25	TME2	TME5.5
POLYCARBONATE	Yellow	Red	Blue	Yellow
VINYL	Yellow	Red	Blue	Yellow
NYLON	Yellow translucent	Red translucent	Blue translucent	Yellow translucent

### WIRE STRIP LENGTH

A strip length should be approx. 2mm longer than crimp barrel length. (Conductor should come out 1mm from crimp barrel.)

### NYLON PRODUCTS

①Due to greater water absorption rate than vinyl, keep unused parts in closed container. Consume as soon as possible

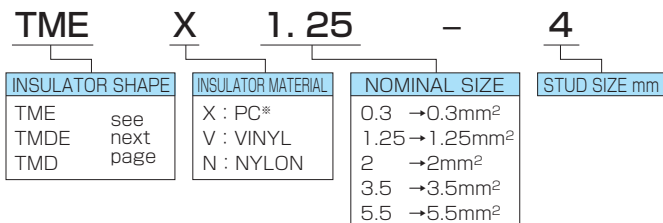
②See wire range of Nylon insulated terminal & sleeve.

Terminal: 0.3~1.65mm<sup>2</sup> (AWG22-16)

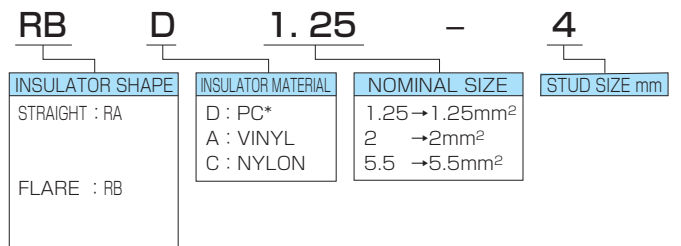
Sleeve: 0.5~1.65mm<sup>2</sup> (AWG20-16)

## STRUCTURE OF OUR PART NUMBER

### NICHIFU P/N



### JIS P/N

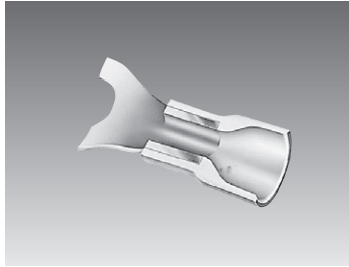


\*POLYCARBONATE

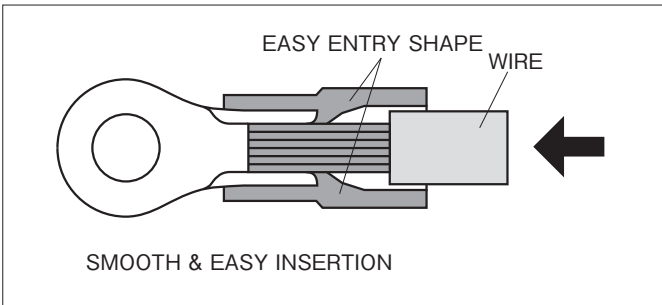
# INSULATED TERMINALS & SLEEVES

## SHAPE OF WIRE ENTRANCE

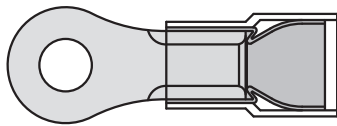
### ■ TME TYPE (EASY ENTRY)



Our TME insulated terminals are featured as easy entry structures which were innovated by NICHIFU. Wires can be easily inserted into the barrel. No need to twist.

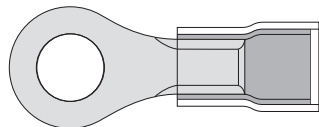


### ■ TMDEN TYPE (EASY ENTRY)



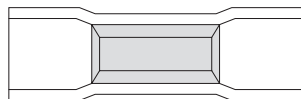
Nylon, easy entry, double grip terminals, anti-vibration. UL/CSA. Non-stock items.

### ■ TMD TYPE



Double grip terminal, anti-vibration.

### ■ TM TYPE

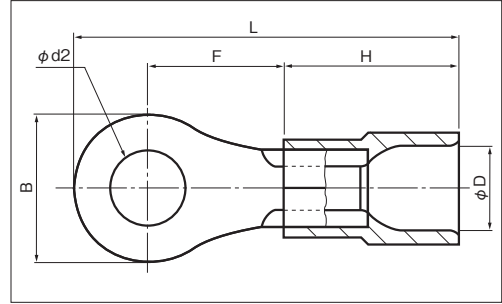


Our insulated Butt/Parallel uses flared insulator.

B

銅線用 絶縁被覆付圧着端子 (R形)丸形 TMEV : ポリ塩化ビニル

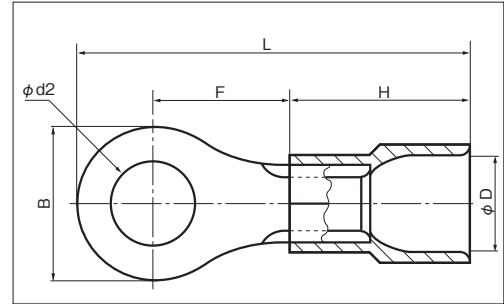
JIS C 2805



品番	各部の寸法 mm					電線抱合範囲		適用工具		標準色	包装個数
	φd2	B	L	F	H	φD	燃線mm <sup>2</sup>	AWG	手動工具 本体   ヘッド		
TMEV 0.3-2 ○	2.2	5.2	17.5	4.9	10.0	2.8	0.2-0.5 0.3-0.5 UL・CSA 指定	24-20 22-20 UL・CSA 指定	NH 5 NH 32 NH 60 NA 10 NA 3   N10 10 N3 5	黄	1,000 (100×10)
TMEV 0.3-3 ○	3.2		19.8	7.2							
TMEV 0.3-3N ○	3.2	19.8	7.2								
TMEV 0.3-3.5 ○	3.7	6.6	20.5	7.2							
TMEV 0.3-4 ○	4.3	6.6	20.5	7.2							
TMEV 0.3-5 ○	5.3	8.0	21.0	7.0							
TMEV 1.25-2 ○	2.2	5.5	17.5	4.75	10.0	4.1	0.3~1.65	22-16	NH 11 NH 32 NA 10 NA 3   N10 11 N3 11	赤	1,000 (100×10)
TMEV 1.25-2S ○	2.2	5.7	17.4	4.55							
TMEV 1.25-3 (RBA 1.25-3) ●	3.2	5.5	17.5	4.75							
TMEV 1.25-3N ○	3.2	5.6	20.4	7.6							
TMEV 1.25-3S ○	3.2	5.7	17.4	4.55							
TMEV 1.25-3.5N ○	3.7	5.6	20.4	7.6							
TMEV 1.25-3.5S ○	3.7	5.7	17.4	4.55							
TMEV 1.25-3.5 (RBA 1.25-3.5) ●	3.7	6.6	18.8	5.5							
TMEV 1.25-3.5M ○	3.7	6.8	19.4	6.0							
TMEV 1.25-3.5L ○	3.7	8.0	21.1	7.1							
TMEV 1.25-4M ○	4.3	6.8	19.4	6.0							
TMEV 1.25-4 (RBA 1.25-4) ●	4.3	8.0	21.1	7.1							
TMEV 1.25-5 (RBA 1.25-5) ●	5.3	8.0	21.1	7.1							
TMEV 1.25-6 ○	6.4	12.0	25.7	9.7							
TMEV 1.25-8 ○	8.4	12.0	25.7	9.7							
TMEV 1.25-10 ○	10.5	16.5	30.5	12.25							
TMEV 2-2 ○	2.2	6.5	18.2	4.95	10.0	4.5	1.04 } 2.63	16-14	NH 12 NH 32 NA 10 NA 3   N10 12 N3 12	青	1,000 (100×10)
TMEV 2-3N ○	3.2	5.6	20.4	7.6							
TMEV 2-3S ○	3.2	5.7	17.8	4.95							
TMEV 2-3 ○	3.2	6.5	18.2	4.95							
TMEV 2-3.5N ○	3.7	5.6	20.4	7.6							
TMEV 2-3.5NS ○	3.7	6.5	18.2	4.95							
TMEV 2-3.5 (RBA 2-3.5) ●	3.7	6.6	19.9	6.6							
TMEV 2-3.5S ○	3.7	6.6	20.9	7.6							
TMEV 2-3.5M ○	3.7	8.0	21.5	7.5							
TMEV 2-4S ○	4.3	6.6	19.9	6.6							
TMEV 2-4M ○	4.3	8.0	21.5	7.5							
TMEV 2-4 (RBA 2-4) ●	4.3	8.5	22.0	7.75							
TMEV 2-5M ○	5.3	8.0	21.5	7.5							
TMEV 2-5 (RBA 2-5) ●	5.3	9.5	22.5	7.75							
TMEV 2-6 (RBA 2-6) ●	6.4	12.0	27.0	11.0							
TMEV 2-8 (RBA 2-8) ●	8.4	12.0	27.0	11.0							
TMEV 2-10 ○	10.5	15.0	30.0	12.5							
TMEV 2-12 ○	13.0	19.0	34.0	14.5							

- 注1) ●: JIS規格品. UL・CSA登録品 ○: UL・CSA登録品  
 2) UL・CSA登録品 絶縁体の材質・色 電線被覆ムキ寸法 についてはP33をご覧ください。  
 3) TMEV (ポリ塩化ビニル) 端子は標準色以外に透明色がございます。

JIS C 2805



**RoHS**  
P2をご参照ください

B

品番	各部の寸法 mm					電線抱合範囲		適用工具		標準色	包装個数	
	φd2	B	L	F	H	φD	撚線mm <sup>2</sup>	AWG	手動工具 本体			ヘッド
TMEV 3.5-4 ○	4.3	8.0	26.0	8.0	14.0	6.3	2.63 ∩ 4.6	12	NH 13		黄	100
TMEV 3.5-5S ○	5.3	9.6	28.0	9.2								
TMEV 3.5-5L ○		12.0	29.4	9.4								
TMEV 3.5-6L ○	6.4											
TMEV 3.5-8 ○	8.4	13.5	33.5	12.75					NA 3	N3 13		
TMEV 5.5-3M ○	3.2	6.5	24.45	7.2	14.0	6.8	2.63 ∩ 6.64	12-10	NH 13		黄	100
TMEV 5.5-3N ○		7.0	24.7									
TMEV 5.5-3S ○		9.0	25.7									
TMEV 5.5-3.5N ○		3.7	7.0						24.7			
TMEV 5.5-3.5S ○	9.0		25.7									
TMEV 5.5-3.5 ○	4.3	9.5	27.0	8.25								
TMEV 5.5-4N ○		7.0	24.7	7.2								
TMEV 5.5-4S ○	5.3	9.0	25.7	7.2								
TMEV 5.5-4 (RBA 5.5-4) ●		9.5	27.0	8.25								
TMEV 5.5-5N ○	6.4	8.0	25.2	7.2								
TMEV 5.5-5S ○		9.0	25.7									
TMEV 5.5-5 (RBA 5.5-5) ●	8.4	9.5	27.0	8.25								
TMEV 5.5-6 (RBA 5.5-6) ●		6.4	12.0	30.5					10.5			
TMEV 5.5-8 (RBA 5.5-8) ●	10.5	15.0	35.5	14.0								
TMEV 5.5-10 (RBA 5.5-10) ●		8.4										
TMEV 5.5-12 ○	13.0	19.2	40.0	16.4								
TMEV 5.5-14 ○	15.0			18.0			NA 3	N3 13				

注1) ● : JIS規格品. UL・CSA登録品 ○ : UL・CSA登録品

2) UL・CSA登録品 絶縁体の材質・色 電線被覆ムキ寸法 についてはP33をご覧ください。

3) TMEV (ポリ塩化ビニル) 端子は標準色以外に透明色がございます。