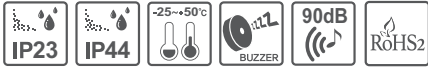
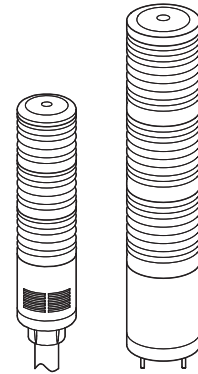


Bulb Steady/ Flashing Tower Lights

ST45/ 56/ 80(M)B



Thank you for purchasing Qlight's products. Please read this user manual carefully prior to installation and operation to ensure safe and correct use.



⚠ Precautions for Safety

Failure to follow the instructions below may cause a loss of life or serious physical injury.

1. During wiring or maintenance, please completely turn off the power of the product. (Failure to follow this may lead to an electric shock.)
2. Do not install the product in locations that subjects it to excessive dust or water other than the conditions designated by the IP protection ratings indicated for each product. (Failure to follow these instructions may cause a fire to the product, electric shock, physical injury, malfunction or damage to the product.)
3. Do not alter or repair this product. If maintenance or repair service is required, please contact your local Qlight contact point. (Failure to follow these instructions may lead to fire, electric shock, or product damage.)
4. Please apply the correct voltage to the product. (Failure to follow these instructions may lead to fire, electric shock, or product damage.)
5. When the product is applied to a condition that may impact lives or property, please make sure to have a double safety device. (Failure to follow this may cause damage to property, fire, electric shock and loss of life.)

⚠ Precautions for Correct Use

Failure to follow the proper instructions may cause damage to property, the product, or malfunction of the product that would void the warranty.

1. Please remove any objects that can interrupt ventilation around the product.
2. Please turn off the power of the product immediately if it fails to operate properly.
3. Carefully wire the product according to each product's specification.
4. Please be careful in preventing chemicals such as thinner, benzene, etc. in contact with the surface of the product.
5. Do not apply excessive force/impact to the product.
6. Failure to follow any of the instructions above may cause malfunction or damage to the product, fire, and electric shock.

Ordering Specifications

ST45/ 56/ 80B	3	110/220	RAG	LW18
[Model number]	[Layer]	[Voltage]	[Color]	[Mounting option]
• ST45/ 56/ 80B	• Layer1-1	• 12-DC12V	R-Red	• (Blank)
• ST45/ 56/ 80B-BZ	• Layer2-2	• 24-DC24V	A-Amber	- Standard type
• ST45/ 56/ 80BF	• Layer3-3	• 110-AC110V	G-Green	• Mounting type
• ST45/ 56/ 80BF-BZ	• Layer4-4	• 220-AC220V	B-Blue	-LB18/24 -LW18/24
	• Layer5-5		W-White	-QZ18/24 -SZ18/24
				-QL18/24 -SL18/24
				-QLA18/24

ST45/ 56/ 80MB	3	110/220	RAG
[Model number]	[Layer]	[Voltage]	[Color]
• ST45/ 56/ 80MB	• Layer1-1	• 12-DC12V	R-Red
• ST45/ 56/ 80MB-BZ	• Layer2-2	• 24-DC24V	A-Amber
• ST45/ 56/ 80MBF	• Layer3-3	• 110-AC110V	G-Green
• ST45/ 56/ 80MBF-BZ	• Layer4-4	• 220-AC220V	B-Blue
	• Layer5-5		W-White



Please scan the QR code for more detailed product information.

www.qlight.com

Product Specifications

•ST45B

Model number	Layer	Voltage	Current	Bulb			Certificate	Weight	Weight
				Spec	Standard	Parts no#			
ST45B Steady ST45B-BZ Steady /w built-in buzzer ST45BF Steady/Flashing ST45BF-BZ Steady/Flashing /w built-in buzzer	1	AC/DC12V	0.398A	12V5W	G14 9S	1	CE	0.36kg	R-Red
		AC/DC24V	0.212A	24V5W	G14 9S	2			
		AC110V	0.048A	110V5W	T16x28 9S	3			
		AC220V	0.023A	220V5W	T16x28 9S	4			
	2	AC/DC12V	0.797A	12V5W	G14 9S	1		0.41kg	R-Red G-Green
		AC/DC24V	0.424A	24V5W	G14 9S	2			
		AC110V	0.097A	110V5W	T16x28 9S	3			
		AC220V	0.046A	220V5W	T16x28 9S	4			
	3	AC/DC12V	1.196A	12V5W	G14 9S	1		0.46kg	R-Red A-Amber G-Green
		AC/DC24V	0.636A	24V5W	G14 9S	2			
		AC110V	0.146A	110V5W	T16x28 9S	3			
		AC220V	0.070A	220V5W	T16x28 9S	4			
	4	AC/DC12V	1.595A	12V5W	G14 9S	1		0.51kg	R-Red A-Amber G-Green B-Blue
		AC/DC24V	0.848A	24V5W	G14 9S	2			
		AC110V	0.195A	110V5W	T16x28 9S	3			
		AC220V	0.093A	220V5W	T16x28 9S	4			
	5	AC/DC12V	1.994A	12V5W	G14 9S	1		0.56kg	R-Red A-Amber G-Green B-Blue W-White
		AC/DC24V	1.061A	24V5W	G14 9S	2			
		AC110V	0.244A	110V5W	T16x28 9S	3			
		AC220V	0.116A	220V5W	T16x28 9S	4			

※ CE compliant : DC12V/24V

•ST45MB

Model number	Layer	Voltage	Current	Bulb			Certificate	Weight	Weight
				Spec	Standard	Parts no#			
ST45MB Steady ST45MB-BZ Steady /w built-in buzzer ST45MBF Steady/Flashing ST45MBF-BZ Steady/Flashing /w built-in buzzer	1	AC/DC12V	0.398A	12V5W	G14 9S	1	CE	0.22kg	R-Red
		AC/DC24V	0.212A	24V5W	G14 9S	2			
		AC110V	0.048A	110V5W	T16x28 9S	3			
		AC220V	0.023A	220V5W	T16x28 9S	4			
	2	AC/DC12V	0.797A	12V5W	G14 9S	1		0.26kg	R-Red G-Green
		AC/DC24V	0.424A	24V5W	G14 9S	2			
		AC110V	0.097A	110V5W	T16x28 9S	3			
		AC220V	0.046A	220V5W	T16x28 9S	4			
	3	AC/DC12V	1.196A	12V5W	G14 9S	1		0.31kg	R-Red A-Amber G-Green
		AC/DC24V	0.636A	24V5W	G14 9S	2			
		AC110V	0.146A	110V5W	T16x28 9S	3			
		AC220V	0.070A	220V5W	T16x28 9S	4			
	4	AC/DC12V	1.595A	12V5W	G14 9S	1		0.37kg	R-Red A-Amber G-Green B-Blue
		AC/DC24V	0.848A	24V5W	G14 9S	2			
		AC110V	0.195A	110V5W	T16x28 9S	3			
		AC220V	0.093A	220V5W	T16x28 9S	4			
	5	AC/DC12V	1.994A	12V5W	G14 9S	1		0.42kg	R-Red A-Amber G-Green B-Blue W-White
		AC/DC24V	1.061A	24V5W	G14 9S	2			
		AC110V	0.244A	110V5W	T16x28 9S	3			
		AC220V	0.116A	220V5W	T16x28 9S	4			

※ CE compliant : DC12V/24V

•Signal/ Audible Line Current(per each layer)

Voltage	AC/DC12V	AC/DC24V	AC110V	AC220V
Signal line current	0.398A	0.212A	0.048A	0.023A
Audible line current	0.016A	0.031A	0.090A	0.090A

• **ST56B**

Model number	Layer	Voltage	Current	Bulb			Certificate	Weight	Weight
				Spec	Standard	Parts no#			
ST56B Steady ST56B-BZ Steady /w built-in buzzer ST56BF Steady/Flashing ST56BF-BZ Steady/Flashing /w built-in buzzer	1	AC/DC12V AC/DC24V AC110V AC220V	0.925A 0.514A 0.095A 0.046A	12V10W 24V10W 110V10W 220V10W	T16x35 15S T16x35 15S T16x35 15S T16x35 15S	9 10 12 13	CE	0.45kg	R-Red
	2	AC/DC12V AC/DC24V AC110V AC220V	1.851A 1.028A 0.191A 0.093A	12V10W 24V10W 110V10W 220V10W	T16x35 15S T16x35 15S T16x35 15S T16x35 15S	9 10 12 13		0.53kg	R-Red G-Green
	3	AC/DC12V AC/DC24V AC110V AC220V	2.776A 1.543A 0.286A 0.140A	12V10W 24V10W 110V10W 220V10W	T16x35 15S T16x35 15S T16x35 15S T16x35 15S	9 10 12 13		0.61kg	R-Red A-Amber G-Green
	4	AC/DC12V AC/DC24V AC110V AC220V	3.702A 2.057A 0.382A 0.186A	12V10W 24V10W 110V10W 220V10W	T16x35 15S T16x35 15S T16x35 15S T16x35 15S	9 10 12 13		0.69kg	R-Red A-Amber G-Green B-Blue
	5	AC/DC12V AC/DC24V AC110V AC220V	4.627A 2.572A 0.477A 0.233A	12V10W 24V10W 110V10W 220V10W	T16x35 15S T16x35 15S T16x35 15S T16x35 15S	9 10 12 13		0.77kg	R-Red A-Amber G-Green B-Blue W-White

※ CE compliant : DC12V/24V

• **ST56MB**

Model number	Layer	Voltage	Current	Bulb			Certificate	Weight	Weight
				Spec	Standard	Parts no#			
ST56MB Steady ST56MB-BZ Steady /w built-in buzzer ST56MBF Steady/Flashing ST56MBF-BZ Steady/Flashing /w built-in buzzer	1	AC/DC12V AC/DC24V AC110V AC220V	0.925A 0.514A 0.095A 0.046A	12V10W 24V10W 110V10W 220V10W	T16x35 15S T16x35 15S T16x35 15S T16x35 15S	9 10 12 13	CE	0.30kg	R-Red
	2	AC/DC12V AC/DC24V AC110V AC220V	1.851A 1.028A 0.191A 0.093A	12V10W 24V10W 110V10W 220V10W	T16x35 15S T16x35 15S T16x35 15S T16x35 15S	9 10 12 13		0.39kg	R-Red G-Green
	3	AC/DC12V AC/DC24V AC110V AC220V	2.776A 1.543A 0.286A 0.140A	12V10W 24V10W 110V10W 220V10W	T16x35 15S T16x35 15S T16x35 15S T16x35 15S	9 10 12 13		0.46kg	R-Red A-Amber G-Green
	4	AC/DC12V AC/DC24V AC110V AC220V	3.702A 2.057A 0.382A 0.186A	12V10W 24V10W 110V10W 220V10W	T16x35 15S T16x35 15S T16x35 15S T16x35 15S	9 10 12 13		0.54kg	R-Red A-Amber G-Green B-Blue
	5	AC/DC12V AC/DC24V AC110V AC220V	4.627A 2.572A 0.477A 0.233A	12V10W 24V10W 110V10W 220V10W	T16x35 15S T16x35 15S T16x35 15S T16x35 15S	9 10 12 13		0.62kg	R-Red A-Amber G-Green B-Blue W-White

※ CE compliant : DC12V/24V

• Signal/ Audible Line Current(per each layer)

Voltage	AC/DC12V	AC/DC24V	AC110V	AC220V
Signal line current	0.925A	0.514A	0.095A	0.046A
Audible line current	0.016A	0.031A	0.090A	0.090A

• **ST80B**

Model number	Layer	Voltage	Current	Bulb			Certificate	Weight	Weight
				Spec	Standard	Parts no#			
ST80B Steady ST80B-BZ Steady /w built-in buzzer ST80BF Steady/Flashing ST80BF-BZ Steady/Flashing /w built-in buzzer	1	AC/DC12V AC/DC24V AC110V AC220V	0.925A 0.514A 0.095A 0.046A	12V10W 24V10W 110V10W 220V10W	T16x35 15S T16x35 15S T16x35 15S T16x35 15S	9 10 12 13		0.61kg	R-Red
	2	AC/DC12V AC/DC24V AC110V AC220V	1.851A 1.028A 0.191A 0.093A	12V10W 24V10W 110V10W 220V10W	T16x35 15S T16x35 15S T16x35 15S T16x35 15S	9 10 12 13		0.75kg	R-Red G-Green
	3	AC/DC12V AC/DC24V AC110V AC220V	2.776A 1.543A 0.286A 0.140A	12V10W 24V10W 110V10W 220V10W	T16x35 15S T16x35 15S T16x35 15S T16x35 15S	9 10 12 13		0.88kg	R-Red A-Amber G-Green
	4	AC/DC12V AC/DC24V AC110V AC220V	3.702A 2.057A 0.382A 0.186A	12V10W 24V10W 110V10W 220V10W	T16x35 15S T16x35 15S T16x35 15S T16x35 15S	9 10 12 13		1.04kg	R-Red A-Amber G-Green B-Blue
	5	AC/DC12V AC/DC24V AC110V AC220V	4.627A 2.572A 0.477A 0.233A	12V10W 24V10W 110V10W 220V10W	T16x35 15S T16x35 15S T16x35 15S T16x35 15S	9 10 12 13		1.18kg	R-Red A-Amber G-Green B-Blue W-White

• **ST80MB**

Model number	Layer	Voltage	Current	Bulb			Certificate	Weight	Weight
				Spec	Standard	Parts no#			
ST80MB Steady ST80MB-BZ Steady /w built-in buzzer ST80MBF Steady/Flashing ST80MBF-BZ Steady/Flashing /w built-in buzzer	1	AC/DC12V AC/DC24V AC110V AC220V	0.925A 0.514A 0.095A 0.046A	12V10W 24V10W 110V10W 220V10W	T16x35 15S T16x35 15S T16x35 15S T16x35 15S	9 10 12 13		0.42kg	R-Red
	2	AC/DC12V AC/DC24V AC110V AC220V	1.851A 1.028A 0.191A 0.093A	12V10W 24V10W 110V10W 220V10W	T16x35 15S T16x35 15S T16x35 15S T16x35 15S	9 10 12 13		0.56kg	R-Red G-Green
	3	AC/DC12V AC/DC24V AC110V AC220V	2.776A 1.543A 0.286A 0.140A	12V10W 24V10W 110V10W 220V10W	T16x35 15S T16x35 15S T16x35 15S T16x35 15S	9 10 12 13		0.68kg	R-Red A-Amber G-Green
	4	AC/DC12V AC/DC24V AC110V AC220V	3.702A 2.057A 0.382A 0.186A	12V10W 24V10W 110V10W 220V10W	T16x35 15S T16x35 15S T16x35 15S T16x35 15S	9 10 12 13		0.84kg	R-Red A-Amber G-Green B-Blue
	5	AC/DC12V AC/DC24V AC110V AC220V	4.627A 2.572A 0.477A 0.233A	12V10W 24V10W 110V10W 220V10W	T16x35 15S T16x35 15S T16x35 15S T16x35 15S	9 10 12 13		0.98kg	R-Red A-Amber G-Green B-Blue W-White

• Signal/ Audible Line Current(per each layer)

Voltage	AC/DC12V	AC/DC24V	AC110V	AC220V
Signal line current	0.925A	0.514A	0.095A	0.046A
Audible line current	0.016A	0.031A	0.090A	0.090A

Dimensions

(Units : mm)

• ST45B

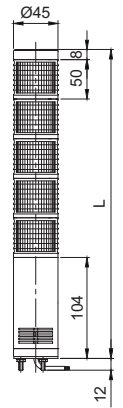
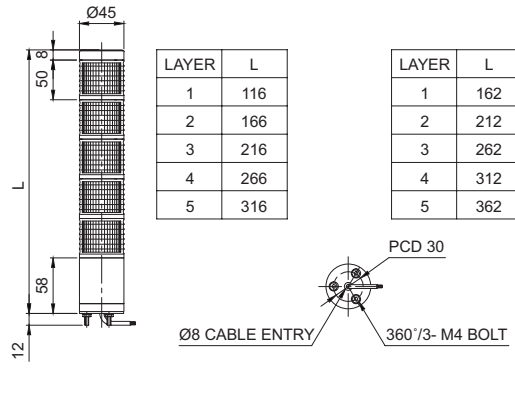
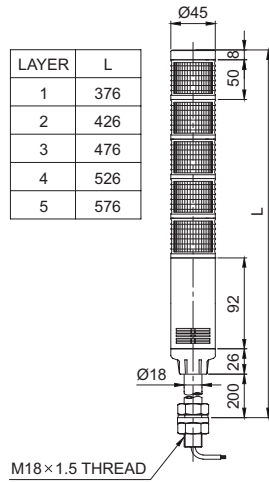
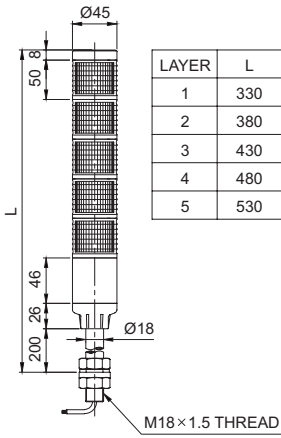
ST45B : AC/DC
ST45B-BZ : AC/DC
ST45BF : AC/DC

ST45BF-BZ : AC/DC

• ST45MB

ST45MB : AC/DC
ST45MB-BZ : AC/DC
ST45MBF : AC/DC

ST45MBF-BZ : AC/DC



• ST56B

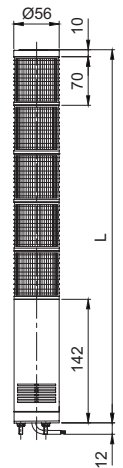
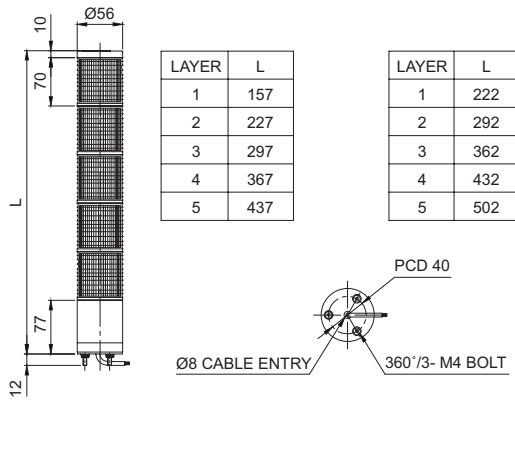
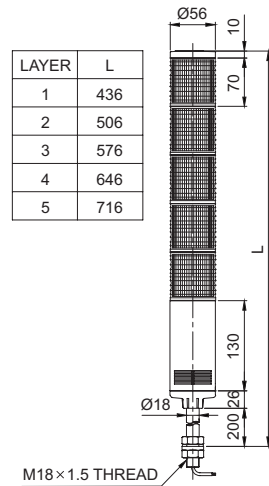
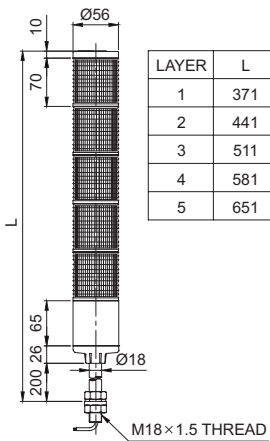
ST56B : AC/DC
ST56B-BZ : AC/DC
ST56BF : AC/DC

ST56BF-BZ : AC/DC

• ST56MB

ST56MB : AC/DC
ST56MB-BZ : AC/DC
ST56MBF : AC/DC

ST56MBF-BZ : AC/DC



• ST80B

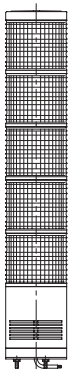
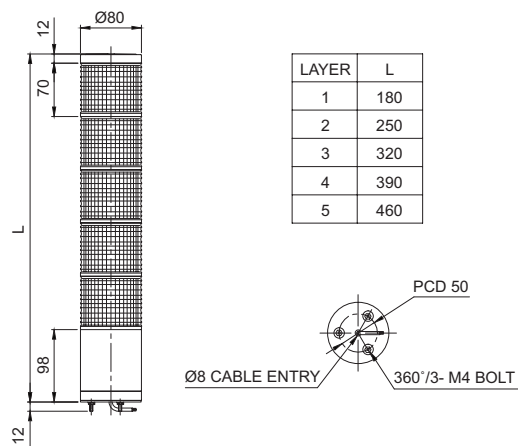
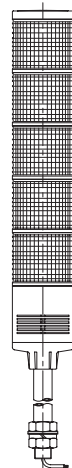
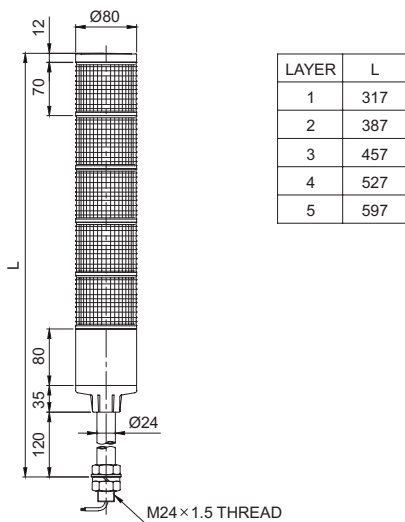
ST80B : AC/DC
ST80BF : AC/DC

ST80B-BZ : AC/DC
ST80BF-BZ : AC/DC

• ST80MB

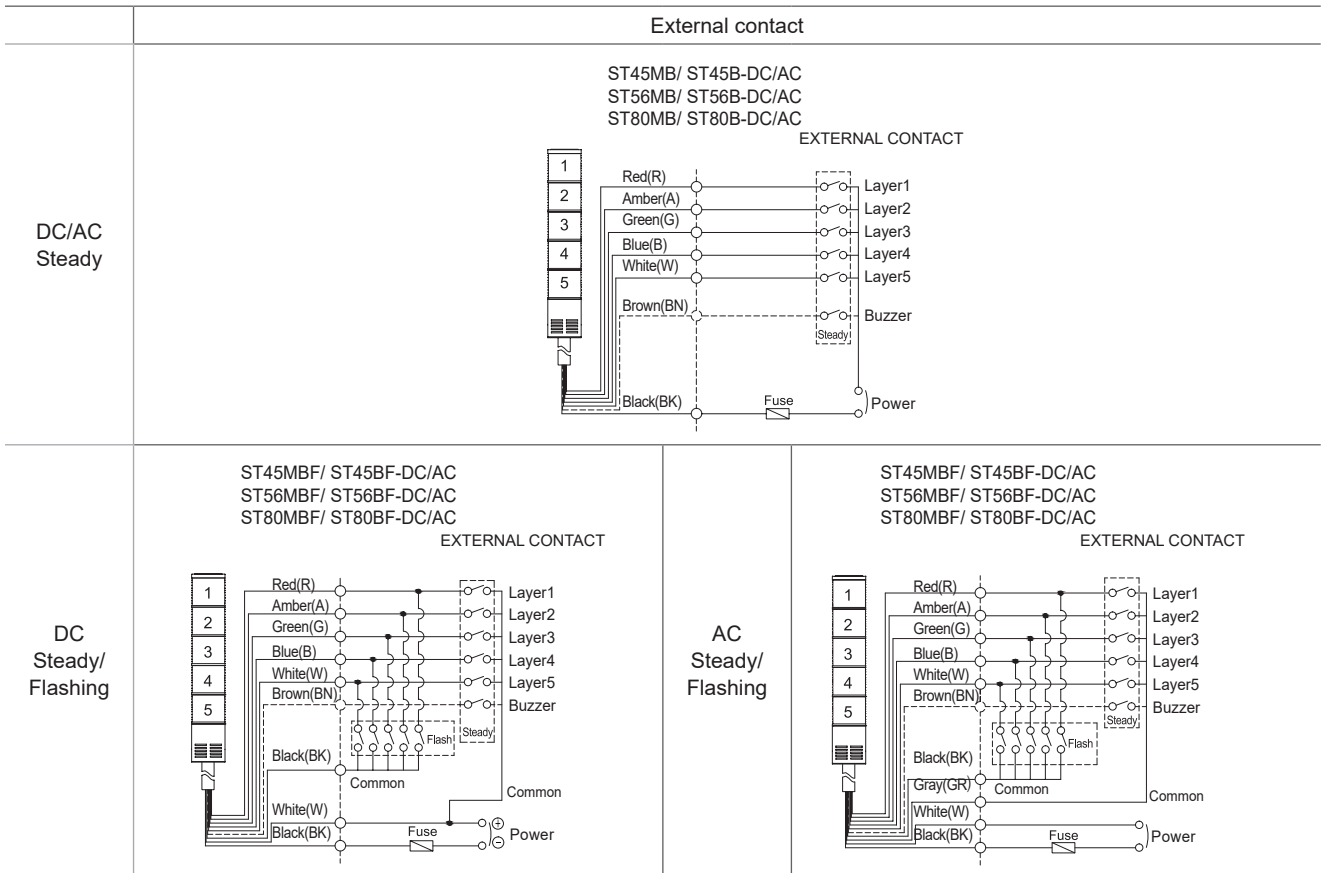
ST80MB : AC/DC
ST80MBF : AC/DC

ST80MB-BZ : AC/DC
ST80MBF-BZ : AC/DC



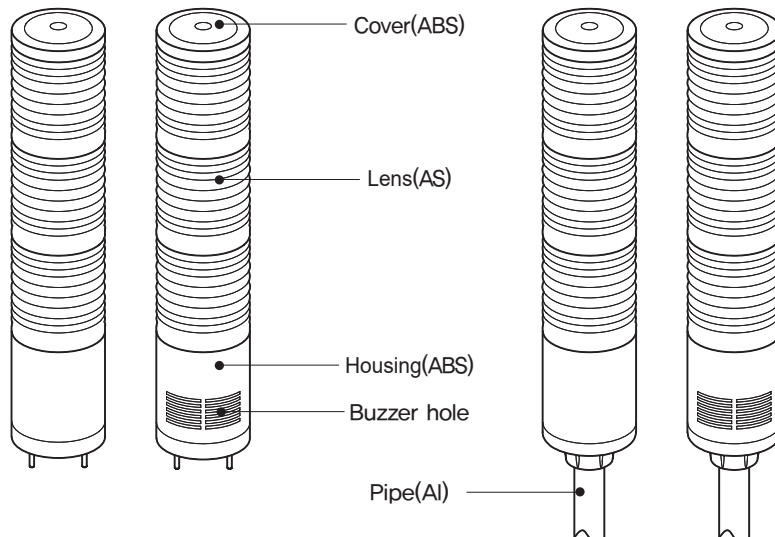
Wiring Instructions

- Please wire by following below instructions for ST45MB/ ST45B, ST56MB/ ST56B and ST80MB/ ST80B series.
- Bulb tower lights do not allow transistor wiring. Please use external contact.



- External power line - UL1015 AWG18(0.75sq) x 2C 400mm
- External signal line - UL1007 AWG22(0.3sq) 400mm

Parts Definition



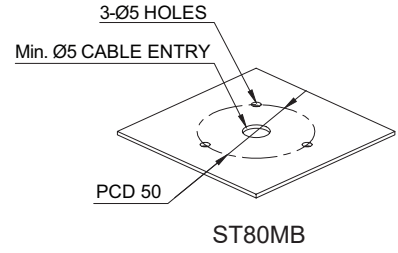
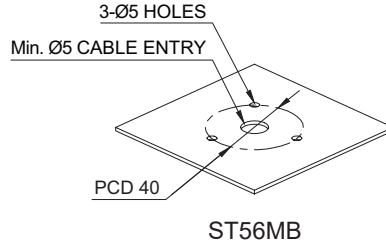
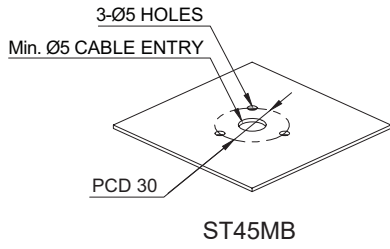
Installation Environment and Protection Rating

- This product is designed for indoor use with protection rating of IP44(standard type) or IP23(buzzer type).
- If the product is installed in locations that subject it to excessive dust or water other than the designated IP protection rating indicated, it may cause malfunction or damage to the product.
- For further information, please visit our website (www.qlight.com).

Mounting Hole Specifications

■ ST45MB/ ST56MB/ ST80MB - Direct Mounting Type Model

① Machine holes on the mounting surface referring to the diagram below.



② Remove the flange nuts from bolts and place the product through the mounting surface holes.

③ Fasten the flange nuts on the opposite side of the mounting surface until the product is tightened securely.

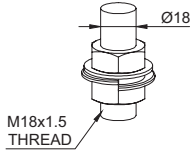
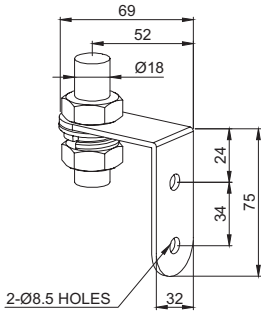
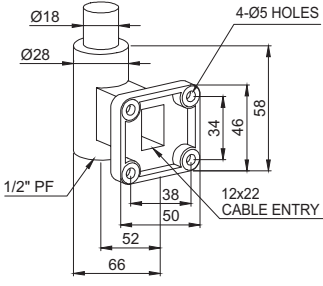
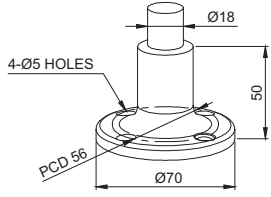
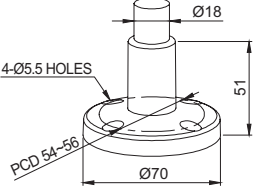
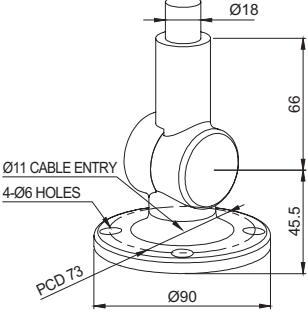
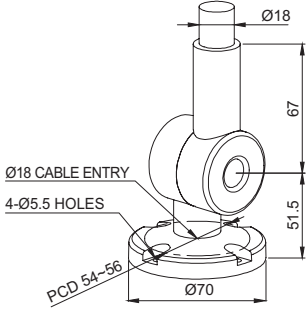
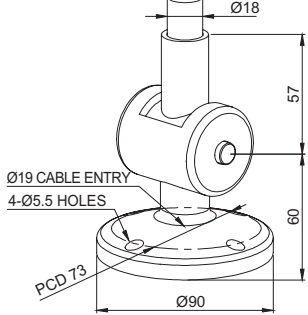
Mounting Accessories (Sold Separately)

• Please refer to the dimensions below for installation of mounting brackets

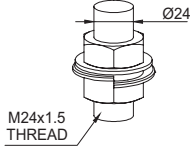
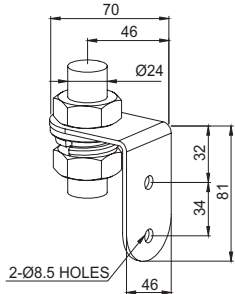
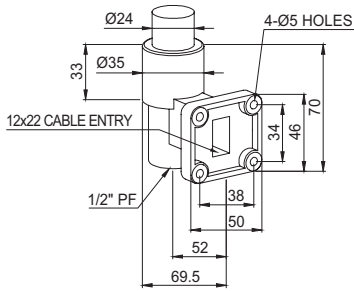
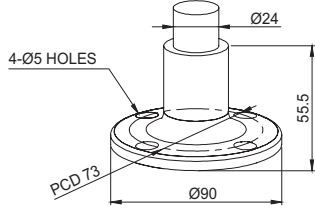
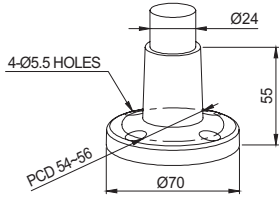
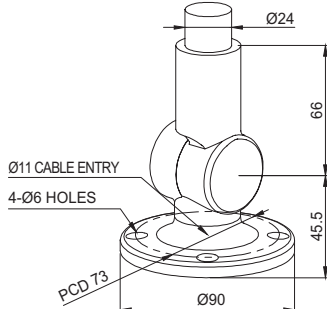
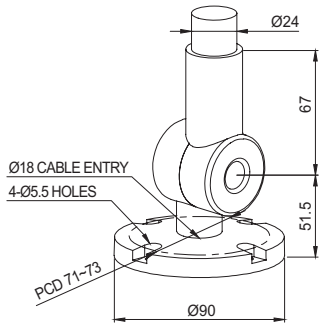
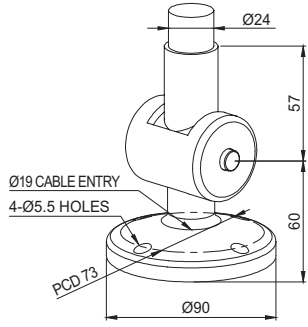
■ ST45MB/ ST56MB/ ST80MB - Direct Mounting Type Model

	Dimensions	
ST45MB ST56MB	<p>TWS45</p>	<p>TWA45</p>
ST80MB	<p>TWS80</p>	<p>TWA80</p>

■ ST45B/ ST56B - Pole Mounting Type Model

Dimensions	
<p>ST45B ST56B</p>  <p>M18x1.5 THREAD</p> <p>Ø18</p>	 <p>69 52 Ø18 24 34 75 2-Ø8.5 HOLES 32</p>
<p>18mm SCREW & NUT</p>	<p>LB18</p>
 <p>Ø18 Ø28 4-Ø5 HOLES 1/2" PF 34 46 58 38 50 12x22 CABLE ENTRY 52 66</p>	 <p>Ø18 4-Ø5 HOLES PCD 56 Ø70 50</p>
<p>LW18</p>	<p>SZ18</p>
 <p>Ø18 4-Ø5.5 HOLES PCD 54-56 Ø70 51</p>	 <p>Ø18 66 Ø11 CABLE ENTRY 4-Ø6 HOLES PCD 73 Ø90 45.5</p>
<p>QZ18</p>	<p>SL18</p>
 <p>Ø18 67 Ø18 CABLE ENTRY 4-Ø5.5 HOLES PCD 54-56 Ø70 51.5</p>	 <p>Ø18 57 Ø19 CABLE ENTRY 4-Ø5.5 HOLES PCD 73 Ø90 60</p>
<p>QL18</p>	<p>QLA18</p>

■ ST80B - Pole Mounting Type Model

		Dimensions	
ST80B	 <p>M24x1.5 THREAD</p> <p>Ø24</p>	 <p>70 46 Ø24 32 34 81 2-Ø8.5 HOLES 46</p>	<p>24mm SCREW & NUT</p> <p>LB24</p>
	 <p>Ø24 33 Ø35 12x22 CABLE ENTRY 1/2" PF 4-Ø5 HOLES 70 34 46 Ø5 38 50 52 69.5</p>	 <p>Ø24 4-Ø5 HOLES PCD 73 Ø90 55.5</p>	<p>LW24</p> <p>SZ24</p>
	 <p>Ø24 4-Ø5.5 HOLES PCD 54-56 Ø70 55</p>	 <p>Ø24 66 Ø11 CABLE ENTRY 4-Ø6 HOLES PCD 73 Ø90 45.5</p>	<p>QZ24</p> <p>SL24</p>
	 <p>Ø24 67 Ø18 CABLE ENTRY 4-Ø5.5 HOLES PCD 71-73 Ø90 51.5</p>	 <p>Ø24 57 Ø19 CABLE ENTRY 4-Ø5.5 HOLES PCD 73 Ø90 60</p>	<p>QL24</p> <p>QLA24</p>

Technical Certification

- Qlight products are designed to meet strict quality and technical standards. Thus, the Qlight brand is widely recognized for its high quality and technical innovations from leading institutions around the world.



ISO International Organization for Standardization

Qlight quality assurance systems have been certified by ISO by applying the ISO 9001:2008, KS Q ISO 9001:2009 regulation.



IECEX International Explosion Proof Certification (IECEX)

Certified that Qlight's products are being manufactured and manage according to international standards.



ATEX The European Regulatory Framework or Manufacture, Installation and Use of Equipment in Explosive Atmospheres

Qlight's explosion proof products comply with ATEX Directives 94/9/EC.



NEPSI National Supervision and Inspection Center for Explosion Protection and Safety of Instrumentation

Qlight's design and manufacturing system meets the People's Republic of China National explosion proof Standard. (Chinese Standard-GB3836/GB12476)



KCs Explosion Proof Device Safety Certification System

The safety performance of machines and equipment subject to safety certification and Technical capability and production system have been certified safety certification standards.



TIIS Japan Explosion-proof Certification

TIIS is a Japanese explosion proof test and certification system accordance with the Ministry of Health, Labour and Welfare Notice and the explosion proof guidelines for factory electrical equipment. Qlight's explosion proof products have been tested and certified by TIIS.



CCS China Classification Society

Qlight's design and quality assurance system has been certified by the China Classification Society.



RMRS Russian Maritime Register of Shipping

Qlight's design and quality assurance system has been certified from Russian Maritime Register of Shipping.



LR Lloyd's Register

Qlight's design and quality assurance system has been certified from Lloyd's Register.



KR Korean Register of Shipping

Qlight's design and quality assurance system has been certified by the Korean Register of Shipping.



KC Korea Safety Certification

Qlight's products are certified by KC for preventing accident caused by fire.



E-mark Commission Directive Regarding Vehicle Industry

Qlight has obtained EU mark for approved vehicles and vehicle components sold into the EU (EEA : European Economic Area)



ICAO International Civil Aviation Organization

Qlight guarantees our products satisfy the criteria regulated by the International Civil Aviation Organization (ICAO, FAA).



KCC Conformity Assessment of Broadcasting Communication Equipment

Qlight has been certified to protect the electromagnetic environment that causes unwanted electromagnetic waves from the device, communication failure due to other devices or external radio waves, and malfunction of the device.



UL Underwriters Laboratories

Qlight's design and quality assurance system has been certified from UL to ensure the stability of consumption goods and to protect consumers.



CCCF China Certification Center for Security & Protection

Qlight has passed the rigorous examination process of "Passing Fire Protection Products Centering" in order to sell fire-fighting products such as fire alarm equipment to Chinese market.



CCC China Compulsory Certificate

Qlight's has obtained CCC which guarantees safety, protection against fraud, environment, etc.



CE European Commission

Qlight has been certified by the European Commission.



RoHS2 Restriction of Hazardous Substances Directive

Qlight complies with the Restriction of Hazardous Substances Directive by limiting its use of hazardous materials.



For your safety

Specification and dimensions listed in this catalogue subject to change without notice for product quality improvement.
The newest product information is available on our website.(www.qlight.com)
Please read the instruction manual attached to the product carefully before installation and use.

Qlight Co., Ltd. www.qlight.com | trade@qlight.com

Head Office | Suite #1510, STX-V Tower, 128 Gasan digital 1-ro, Geumcheon-gu, Seoul, Korea

Tel. +82-2-2679-6152(Toll free. +82-80-328-2222) Fax. +82-2-2679-6154

Factory | 185-25, Mukbang-ro, Sangdong-myeon, Gimhae-si, Gyeongsangnamdo, Korea Tel. +82-55-328-1111(Toll free. +82-80-328-1111)

Qlight OverSEAs Sales Dept | 704 Nakdong-daero, Sasang-gu, Busan, Korea(Eomgung-Dong) Tel : +82-51-620-4100

Qlight Public Relations & Marketing Team Office | 704 Nakdong-daero, Sasang-gu, Busan, Korea(Eomgung-Dong) Tel. +82-51-245-0017

Qlight USA, Inc. www.qlight.com www.qlightusa.com | sales@qlightusa.com

3003 North First Street, Suite #341, San Jose, CA 95134 USA Tel. +1-408-519-5740 Fax. +1-408-519-5739

SHANGHAI Qlight Electronic Co., Ltd. www.qlight.com www.qlightcn.com | qlightcn@qlight.com

China Factory/ Shanghai Sales Office | #19, Nanda Road, Baoshan Area, Shanghai, China Tel. +86-21-6651-7100 Fax. +86-21-6315-3929

China Factory Site 2 (Qidong) | #33, Haiyan Road, Qidong High-tech Industrial Development Zone, Qidong, Jiangsu Province, China

Tel +86-513-8384-9999 Fax +86-513-8384-9910

Qlightec

Innovation in Alarm & Signal

Product Operation Inquiry / Customer Support +82-51-620-4100

You can expect prompt service if you have exact information such as model name, symptom, telephone number and address.

※ ALL PRODUCT, PRODUCT SPECIFICATIONS AND DATA ARE SUBJECT TO CHANGE WITHOUT NOTICE TO IMPROVE RELIABILITY, FUNCTION OR DESIGN OR OTHERWISE.

Head office : Suite #1510, STX-V Tower, 128 Gasan digital 1-ro, Geumcheon-gu, Seoul, Korea (Postal Code : 08507)

Factory : 185-25, Mukbang-Ro, Sangdong-Myeon, Gimhae-Si, Gyeongsangnam-Do, Korea (Postal Code : 50805)

www.qlight.com

EN - ST45B - 2108A