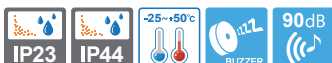


ST45MB

Ø45mm Bulb Steady/Flashing Tower Lights



- ST45MB** Steady
- ST45MB-BZ** Built-in Buzzer Steady
- ST45MBF** Steady/Flashing
- ST45MBF-BZ** Built-in Buzzer Steady/Flashing



ST45MB series

Built-in buzzer output holes formed on the housing of the product.



Common Specifications(ST45MB/ ST45B/ ST56MB/ ST56B/ ST80MB/ ST80B)

- Bulb steady/flashing tower lights
- A variety of length selections from 45mm, 56mm, and 80mm to fit your sophisticated application needs
- Can select from a variety of mount bracket for the pole mount type
- Adopted a light bulb with excellent durability and longevity
- Built-in buzzer available (Volume : Max 90dB at 1m)
- Flashing rate : 60-80 flashes/min
- Available in customized color arrangements
- Materials : Lens-AS, Housing-ABS, Pole-Al
- Ambient operating temperature : -25°C to +50°C
- Protection rating : Standard type-IP44, Built-in buzzer type-IP23
- Certificates : CE Compliant
- Compliant with RoHS directive

ST45MB Ø45mm Direct Mount, Bulb Steady/Flashing

Model number	Layer	Voltage	Current	Bulb			Certificates	Weight	Color
				Spec	Standard	Parts no#			
ST45MB Steady ST45MB-BZ Steady w/ built-in buzzer ST45MBF Steady/ Flashing ST45MBF-BZ Steady/ Flashing w/ built-in buzzer	1	AC/DC12V	0.398A	12V5W	G14 9S	1	CE DC only	0.22kg	• R-Red
		AC/DC24V	0.212A	24V5W	G14 9S	2		0.22kg	
		AC110V	0.048A	110V5W	T16x28 9S	3		0.22kg	
		AC220V	0.023A	220V5W	T16x28 9S	4		0.22kg	
	2	AC/DC12V	0.797A	12V5W	G14 9S	1		0.26kg	• R-Red • G-Green
		AC/DC24V	0.424A	24V5W	G14 9S	2		0.26kg	
		AC110V	0.097A	110V5W	T16x28 9S	3		0.26kg	
		AC220V	0.046A	220V5W	T16x28 9S	4		0.26kg	
	3	AC/DC12V	1.196A	12V5W	G14 9S	1		0.31kg	• R-Red • A-Amber • G-Green
		AC/DC24V	0.636A	24V5W	G14 9S	2		0.31kg	
		AC110V	0.146A	110V5W	T16x28 9S	3		0.31kg	
		AC220V	0.070A	220V5W	T16x28 9S	4		0.31kg	
4	AC/DC12V	1.595A	12V5W	G14 9S	1	0.37kg	• R-Red • A-Amber • G-Green • B-Blue		
	AC/DC24V	0.848A	24V5W	G14 9S	2	0.37kg			
	AC110V	0.195A	110V5W	T16x28 9S	3	0.37kg			
	AC220V	0.093A	220V5W	T16x28 9S	4	0.37kg			
5	AC/DC12V	1.994A	12V5W	G14 9S	1	0.42kg	• R-Red • A-Amber • G-Green • B-Blue • W-White		
	AC/DC24V	1.061A	24V5W	G14 9S	2	0.42kg			
	AC110V	0.244A	110V5W	T16x28 9S	3	0.42kg			
	AC220V	0.116A	220V5W	T16x28 9S	4	0.42kg			

Signal/ Audible Line Current(per each layer)

Voltage	AC/DC12V	AC/DC24V	AC110V	AC220V
Signal line current	0.398A	0.212A	0.048A	0.023A
Audible line current	0.016A	0.031A	0.027A	0.030A

Customization

- 2 buzzer sound types : Both prolonged (beep, beep) and staccato (beep, beep, beep) buzzer output available
- Wall mount bracket options : Bracket structure allows for threading through the bracket hole or into the wall



Ordering Specification

ST45MB	-	3	-	24	-	RAG
[Model number]		[Layer]		[Voltage]		[Color]
• ST45MB		• 1-1Layer		• 12-DC12V		• R-Red
• ST45MB-BZ		• 2-2Layers		• 24-DC24V		• A-Amber
• ST45MBF		• 3-3Layers		• 110-AC110V		• G-Green
• ST45MBF-BZ		• 4-4Layers		• 220-AC220V		• B-Blue
		• 5-5Layers				• W-White

ST45B

Ø45mm Bulb Steady/Flashing Tower Lights



- ST45B** Steady
- ST45B-BZ** Built-in Buzzer Steady
- ST45BF** Steady/Flashing
- ST45BF-BZ** Built-in Buzzer Steady/Flashing



ST45B series

Built-in buzzer output holes formed on the housing of the product.



ST45B Ø45mm Pole Mount, Bulb Steady/Flashing

Model number	Layer	Voltage	Current	Bulb			Certificates	Weight	Color
				Spec	Standard	Parts no#			
ST45B Steady ST45B-BZ Steady w/ built-in buzzer ST45BF Steady/ Flashing ST45BF-BZ Steady/ Flashing w/ built-in buzzer	1	AC/DC12V	0.398A	12V5W	G14 9S	1	CE DC only	0.36kg	● R-Red
		AC/DC24V	0.212A	24V5W	G14 9S	2		0.36kg	
		AC110V	0.048A	110V5W	T16x28 9S	3		0.36kg	
		AC220V	0.023A	220V5W	T16x28 9S	4		0.36kg	
	2	AC/DC12V	0.797A	12V5W	G14 9S	1		0.41kg	● R-Red ● G-Green
		AC/DC24V	0.424A	24V5W	G14 9S	2		0.41kg	
		AC110V	0.097A	110V5W	T16x28 9S	3		0.41kg	
		AC220V	0.046A	220V5W	T16x28 9S	4		0.41kg	
	3	AC/DC12V	1.196A	12V5W	G14 9S	1		0.46kg 0.46kg 0.46kg 0.46kg	● R-Red ● A-Amber ● G-Green
		AC/DC24V	0.636A	24V5W	G14 9S	2			
		AC110V	0.146A	110V5W	T16x28 9S	3			
		AC220V	0.070A	220V5W	T16x28 9S	4			
4	AC/DC12V	1.595A	12V5W	G14 9S	1	0.51kg 0.51kg 0.51kg 0.51kg	● R-Red ● A-Amber ● G-Green ● B-Blue		
	AC/DC24V	0.848A	24V5W	G14 9S	2				
	AC110V	0.195A	110V5W	T16x28 9S	3				
	AC220V	0.093A	220V5W	T16x28 9S	4				
5	AC/DC12V	1.994A	12V5W	G14 9S	1	0.56kg 0.56kg 0.56kg 0.56kg	● R-Red ● A-Amber ● G-Green ● B-Blue ● W-White		
	AC/DC24V	1.061A	24V5W	G14 9S	2				
	AC110V	0.244A	110V5W	T16x28 9S	3				
	AC220V	0.116A	220V5W	T16x28 9S	4				

* Please refer to page 22 ST45MB type for signal/ audible line current.

Mounting Bracket

Standard	LB18	LW18	QZ18	SZ18	QL18	SL18	QLA18
Steel	Steel	PC	PC	Al	PC	Al	PC

* Please refer to page 190-195 for detailed dimensions.

Customization

- Customized pole length available
- 2 buzzer sound types : Both prolonged (beep, beep) and staccato (beep, beep, beep) buzzer output available

Ordering Specification

ST45B	-	3	-	24	-	RAG	-	LW18
[Model number]		[Layer]		[Voltage]		[Color]		[Mounting bracket]
<ul style="list-style-type: none"> • ST45B • ST45B-BZ • ST45BF • ST45BF-BZ 		<ul style="list-style-type: none"> • 1-1Layer • 2-2Layers • 3-3Layers • 4-4Layers • 5-5Layers 		<ul style="list-style-type: none"> • 12-DC12V • 24-DC24V • 110-AC110V • 220-AC220V 		<ul style="list-style-type: none"> • R-Red • A-Amber • G-Green • B-Blue • W-White 		<ul style="list-style-type: none"> • None • Standard • Bracket • LB18 • LW18 • QZ18 • SZ18 • QL18 • SL18 • QLA18

ST45MB/ ST45B

Ø45mm Bulb Steady/Flashing Tower Lights

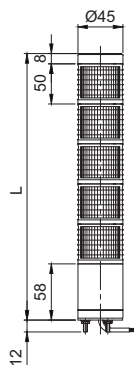


Technical Diagram

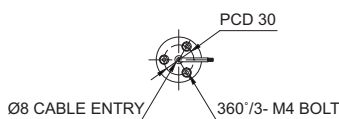
(Units : mm)

ST45MB : AC/DC
ST45MB-BZ : AC/DC
ST45MBF : AC/DC

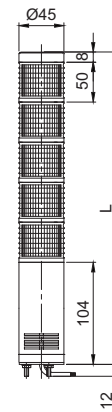
ST45MBF-BZ : AC/DC



LAYER	L
1	116
2	166
3	216
4	266
5	316

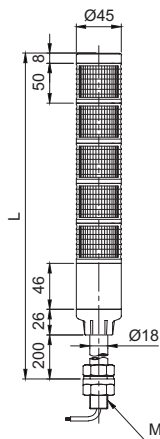


LAYER	L
1	162
2	212
3	262
4	312
5	362



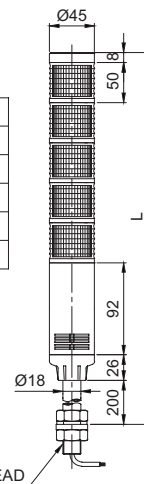
ST45B : AC/DC
ST45B-BZ : AC/DC
ST45BF : AC/DC

ST45BF-BZ : AC/DC



LAYER	L
1	330
2	380
3	430
4	480
5	530

LAYER	L
1	376
2	426
3	476
4	526
5	576



Wiring Instructions

- External power line : UL1015 AWG18(0.75sq)×2C 400mm
- External signal line : UL1007 AWG22(0.3sq) 400mm

* Please refer to page 31 for detailed wiring instructions.

ST45B/ ST56B/ ST80B series

Bulb Steady/Flashing Tower Lights

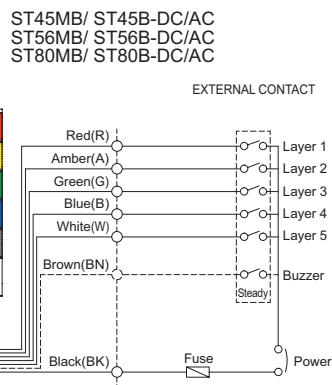


Wiring Instructions

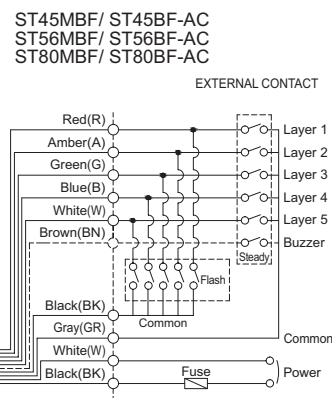
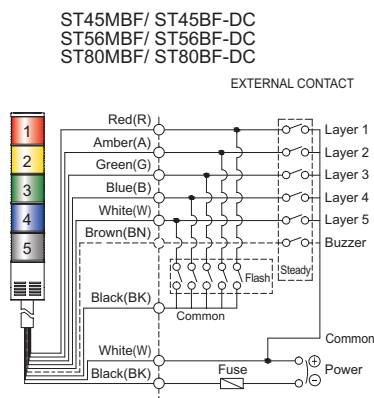
- Please wire by following below instructions for ST45MB/ ST45B, ST56MB/ ST56B and ST80MB/ ST80B series.
- Bulb tower lights do not allow transistor wiring. Please use external contact.

External contact

Steady



Steady/
Flashing



- External power line : UL1015 AWG18(0.75sq)×2C 400mm
- External Signal line : UL1007 AWG22(0.3sq) 400mm

