

# SSEL

## Explosion Proof LED Perimeter Light



SSEL

### SSEL Explosion Proof LED Perimeter Light

- Suitable for helideck and other dangerous areas that require a perimeter light
- Structure minimizing the projection of lens, can be protected from damage by external impact
- Product structure with 100mm height meets the IMD regulation condition
- Aluminum housing provides excellent durability
- Terminal for power wiring located inside of the housing
- Signal colors : ●R-Red ●A-Amber ●G-Green ●B-Blue
- Standard housing color : MUNSSELL No. 7.5BG 7/2
- Cable entry : 1/2" NPT
- Materials : Lens-Tempered glass, Housing-Al
- Certificates : KIMM, ABS
- Protection rating : Ex d IIC T6, IP66
- Ambient operating temperature :  $-40^{\circ}\text{C} \leq T_{\text{amb}} \leq +60^{\circ}\text{C}$

### Specifications

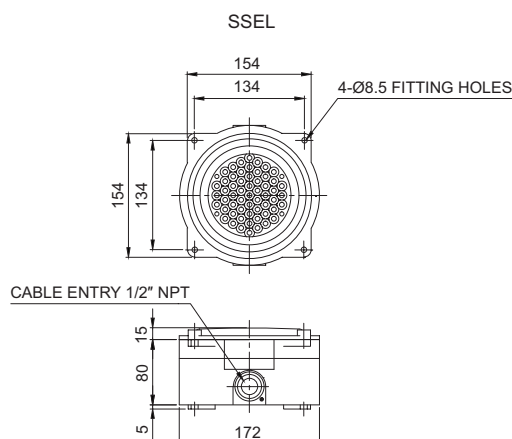
| Model number | Voltage | Current | Certificates | Weight | Color   |
|--------------|---------|---------|--------------|--------|---|
| SSEL         | DC12V   | 0.466A  | KIMM         | 2.54kg | <ul style="list-style-type: none"> <li>● R-Red</li> <li>● A-Amber</li> <li>● G-Green</li> <li>● B-Blue</li> </ul> |
|              | DC24V   | 0.255A  |              | 2.54kg |   |
|              | AC110V  | 0.040A  | ABS          | 2.54kg |   |
|              | AC220V  | 0.040A  |              | 2.54kg |   |

### Technical Diagram

(Units : mm)



SSEL Model applied in helideck



### Customization

- Explosion proof cable gland attached type available (Standard type does not provide explosion proof cable gland)
- Customized 2 way cable entries
- Customized cable entry(3/4" NPT, M20×1.5, M25×1.5) available

### Ordering Specification

|                |   |  |   |   |
|----------------|---|--|---|---|
| <b>SSEL</b>    | - | <b>220</b>   | - | <b>R</b>  |
| [Model number] |   | [Voltage]  |   | [Color]   |
|                |   |  |   |   |
| • SSEL         |   | <ul style="list-style-type: none"> <li>• 12-DC12V</li> <li>• 24-DC24V</li> <li>• 110-AC110V</li> <li>• 220-AC220V</li> </ul> |   | <ul style="list-style-type: none"> <li>● R-Red</li> <li>● A-Amber</li> <li>● G-Green</li> <li>● B-Blue</li> </ul> |