

SOLON

Since 1992

LIMIT SWITCH

限動開關

SL series



Made In Taiwan



使用壽命1000萬次以上
多款致動方式選擇

Limit Switch

符合 IP-64 防護

符合 IEC AC-15, EN 60947-5-1



SOLON Enterprise Co., Ltd.
 洋健企業股份有限公司
www.solon.com.tw

Vertical Type Limit Switch 直立型微動開關

Feature 特色

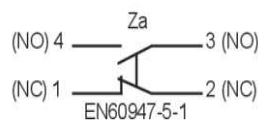
1. Can be mount either front or back side.
可以前端或後端安裝
2. IP-67 Corrosion proof and oil resistant construction.
IP-67 防蝕及防油構造 (IEC 529)
3. Rating 額定值: 6A @250VAC, 10A@125VAC(UL 508, CSA C22.2)
NEMA AC-15
Ie 作動電流: 2A
Ue 作動電壓: 250Vac
I the 熱電流: 10A
UL A300
EN 60947-5-1



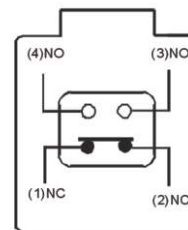
Specifications: 規格

1. Contact type 接點型式: 1a1b
2. Contact resistance 接觸電阻(Initial 初始): 20mΩ max.
3. Insulating resistance 絕緣電阻(Initial 初始): 100MΩ @500VDC
4. Dielectric strength 耐電壓:
between non-continuous terminals 非同極端子間: 1,000VAC/1minute, 50/60Hz.
between current-carrying metal parts and ground,
and between each terminal and non-current-carrying parts
(導電部及接地間, 各端子及非導電部間): 2,000VAC/1 minute, 50/60Hz.
5. Vibration resistance 耐震(Malfunction 耐久): 55Hz max. @1.5mm, double amplitude.
6. Shock resistance 耐衝擊(Malfunction 耐久): 98m/s @10G max.
(Destruction 失效): 294m/s@30G max.
7. Ambient temperature 適用環境溫度: -20°C to +80°C @ RH 90% max.
8. Life expectancy 使用壽命:
Mechanical 機械性 - 10,000,000 operations min. (120 cpm)
Electrical 電氣性 - 300,000 operations min. (30 cpm)
9. Operating frequency 動作頻率: 120 operations/minute. 次/分

Operating characteristics 動作特性



Circuitry



Order Information:

SL - □ □ □ □

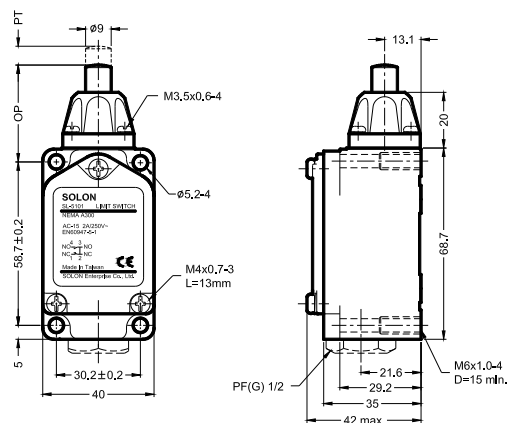
Dimensions:

Vertical Type Limit Switch 直立型微動開關

SL-5101



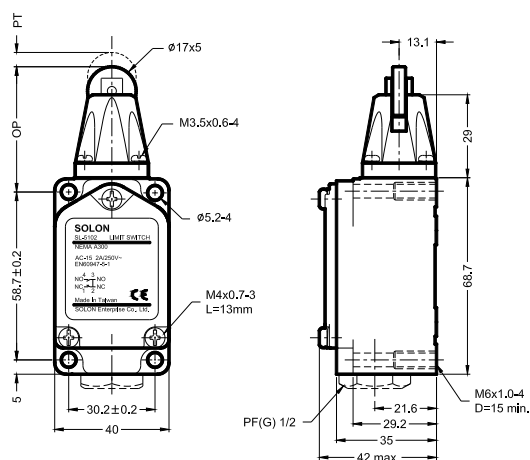
O.F. N(gf) max.	R.F. N(gf) min.	P.T. mm max.	M.D. mm max.	O.T. mm min.	T.T. mm
26.5/2700	9.0/900	1.7	1	6.4	34 ± 0.8



SL-5102



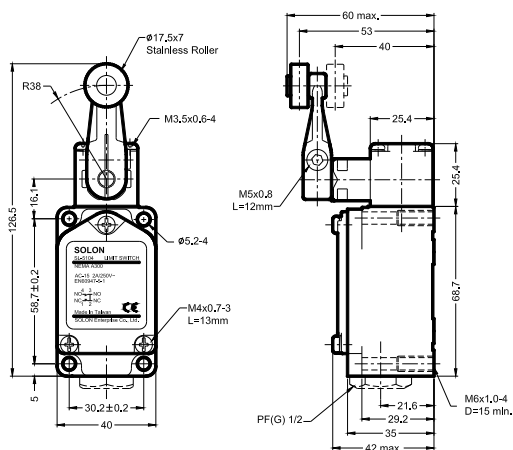
O.F. N(gf) max.	R.F. N(gf) min.	P.T. mm max.	M.D. mm max.	O.T. mm min.	T.T. mm
26.5/2700	9.0/900	1.7	1	5.6	44 ± 0.8



SL-5104



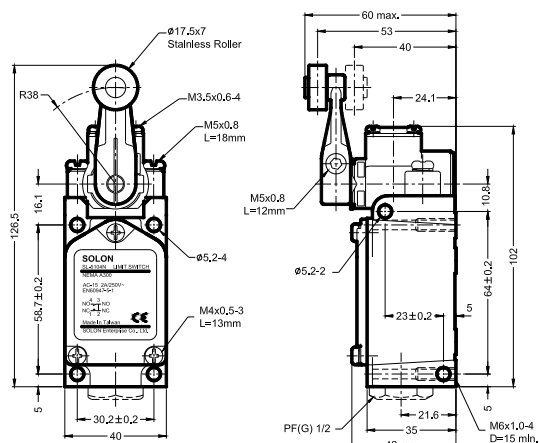
O.F. N(gf) max.	R.F. N(gf) min.	P.T. mm max.	M.D. mm max.	O.T. mm min.	T.T. mm
13.3/1360	2.2/220	15°	12°	30°	—



SL-5104N



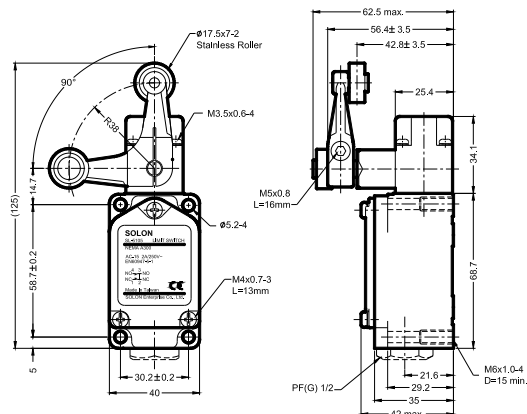
O.F. N(gf) max.	R.F. N(gf) min.	P.T. mm max.	M.D. mm max.	O.T. mm min.	T.T. mm
9.6/980	1.2/120	20°	10°	70°	—



Dimensions:

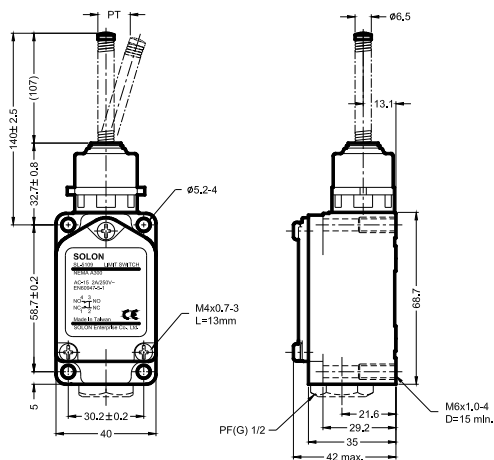
Vertical Type Limit Switch 直立型微動開關

SL-5105



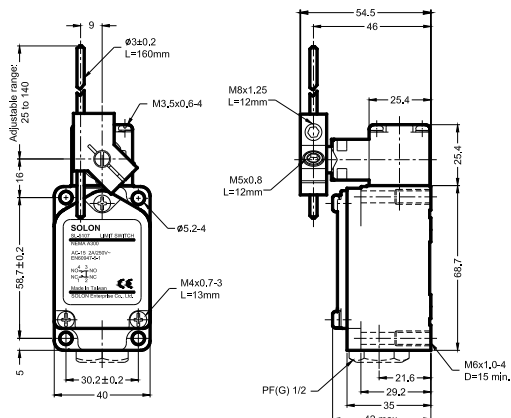
O.F. N(gf) max.	R.F. N(gf) min.	P.T. mm max.	M.D. mm max.	O.T. mm min.	T.T. mm
11.8/1200	—	50 ± 5°	5°	35°	85 ± 10°

SL-5106



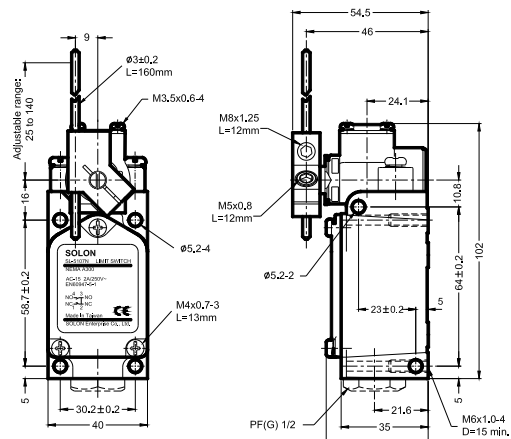
O.F. N(gf) max.	R.F. N(gf) min.	P.T. mm max.	M.D. mm max.	O.T. mm min.	T.T. mm
1.47/150	—	20 ± 10	—	—	—

SL-5107



O.F. N(gf) max.	R.F. N(gf) min.	P.T. mm max.	M.D. mm max.	O.T. mm min.	T.T. mm
1.39/142	0.27/28	15° ± 5°	12°	30°	—

SL-5107N



O.F. N(gf) max.	R.F. N(gf) min.	P.T. mm max.	M.D. mm max.	O.T. mm min.	T.T. mm
2.8/290	0.25/25	20°	10°	70°	—

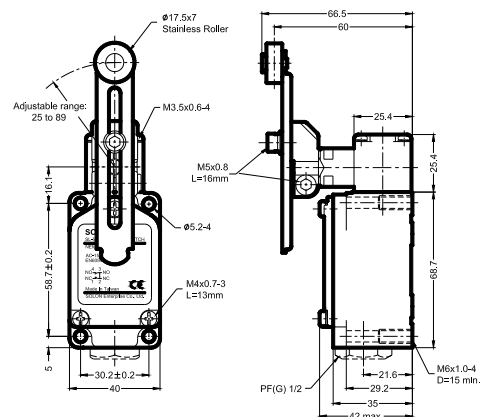
Dimensions:

SL-5108



O.F. N(gf) max.	R.F. N(gf) min.	P.T. mm max.	M.D. mm max.	O.T. mm min.	T.T. mm
13.3/1360	2.2/220	15° ± 5°	12°	30°	—

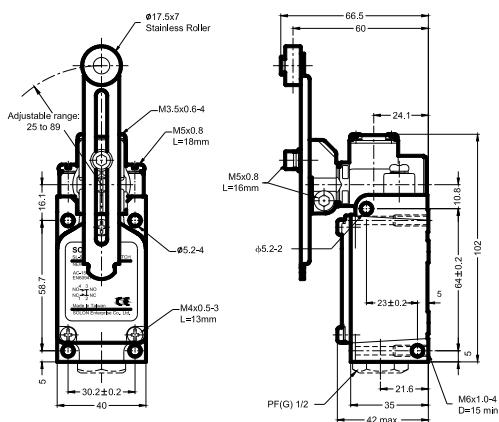
Vertical Type Limit Switch 直立型微動開關



SL-5108N



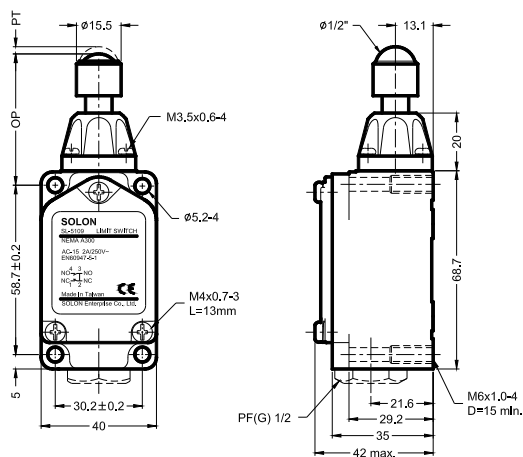
O.F. N(gf) max.	R.F. N(gf) min.	P.T. mm max.	M.D. mm max.	O.T. mm min.	T.T. mm
9.6/980	1.2/120	20°	10°	70°	—



SL-5109



O.F. N(gf) max.	R.F. N(gf) min.	P.T. mm max.	M.D. mm max.	O.T. mm min.	T.T. mm
26.6/2700	8.9/910	1.7	1	4	44 ± 0.8



ML 系列

Rating (額定輸出規格): 10 Amps @250/125VAC, 0.4 Amps @115VDC



ML-7100



ML-7110



ML-7166



ML-7120



ML-7121



ML-7311



ML-7124



ML-7140



ML-7141



ML-7144



ML-7310



ML-7312

AM 系列

Rating (額定輸出規格): 15 Amps @250/125VAC, 0.5 Amps @125VDC



AM-1305



AM-1306



AM-1307



AM-1308



AM-1309



AM-1701



AM-1702



AM-1704



AP-Z

VL 系列

Rating (額定輸出規格): 5 Amps @250/125VAC, 0.4 Amps @125VDC



VL-8111



VL-8112



VL-8122



VL-8104



VL-8107



VL-8108



VL-8166



VL-8169

SL 系列

Rating (額定輸出規格): 2 Amps @250VAC, NEMA A300



SL-5101



SL-5102



SL-5104



SL-5104N



SL-5105



SL-5106



SL-5107



SL-5107N



SL-5108



SL-5108N