

SL Series D86mm Tower Bulb Revolving Warning Light



Tower Warning Light Which can transmit plural signals by using only one fitting space



- Ø86mm lens diameter
- Rotating, Flickering model
- Protection Class : IP42
- 4 lens colors available
- Various operating voltage
- Possible to catch several signals at a time and make signals separate

Specifications

Operation/Function	Rotating , Flashing
Power Supply	12VAC/DC , 24VAC/DC , 110VAC , 220VAC , 110/220VAC
Tiers	May be ordered as 1, 2, or 3 tiers
Lens Color	Red , Yellow , Green , Blue
Rotation Rate	130 rpm±10
Flash Rate	80 times/minute ±5
Vibration	0.75mm at 10~55Hz
Ambient Temperature	-15 to 40°C
Storage Temperature	-25 to 70°C
Ambient Humidity	45 ~ 85% RH
Degree of Protection	IP42
Approvals	RoHS
Recommended Wire Size	AC 110/220V: VSF / 0.75mm ² (Power supply wire only) AC/DC 12/24V: 1007UL / 22AWG

Ordering Information

SL G F - 3 2 0 - R Y G

① ② ③ ④ ⑤

1. Mounting

G	Stud Mount
P	Pole Mount

2. Light Style

	Rotating
F	Flashing - (DC power is only)
K	(Rotating mirror - AC220V , AC110V combined products) 1 Light - 110V , 220VAC 2 Light - 110V , 220VAC

3. Number of Stacks

1	1 Light
2	2 Lights
3	3 Lights

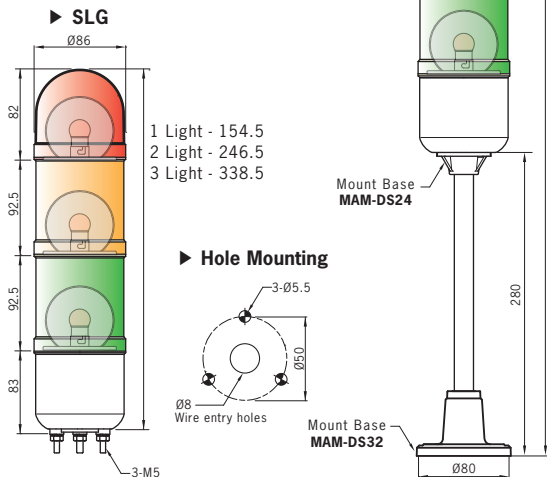
4. Power Supply

01	12VAC/DC	20	220VAC
02	24VAC/DC	FF	110/220VAC *Except for Flashing type - F function
10	110VAC		

5. Lens Colors (Top to bottom)

R	Red
Y	Yellow
G	Green
B	Blue

Dimensions (unit: mm)



Current Draw

Power Supply	12VDC	24VDC	110VAC	220VAC	110/220VAC
Current Draw	1 Light - 0.4A 2 Lights - 0.8A 3 Lights - 1.2A	0.3A 0.6A 0.9A	0.07A 0.14A 0.2A	0.07A 0.14A 0.2A	0.07A 0.14A

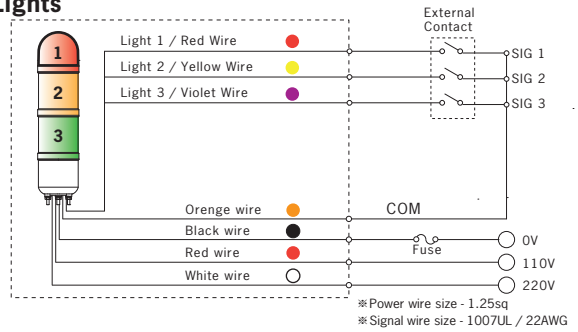
Replacement Parts ▶ See page 44 for Replacement Bulbs product

Rated Voltage	Bulb	Rated Voltage	Bulb (Flashing type)	Bulb (Rotating type)
12V DC	12V 8W	110V AC	130V 8W	12V 5W
24V DC	24V 8W	220V AC	240V 8W	12V 5W
		110/220V AC		12V 5W

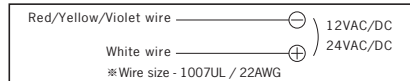
Wiring Diagram

▶ Rotating Lights

AC Type



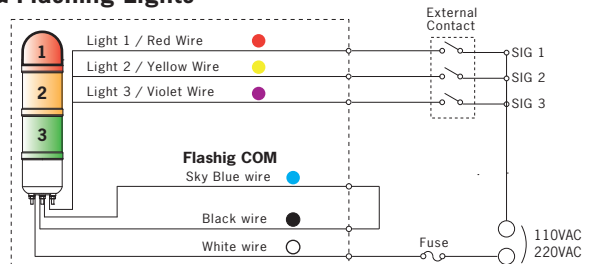
12/24V Type



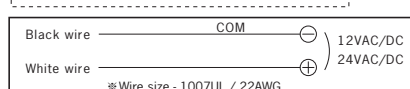
▶ Rotating & Flashing Lights

AC Type

* Wire size 1007UL / 22AWG



12/24V Type



See Page 56 - 58 for Mounting Options and Accessories.

