

SK series

Streamlined LED Revolving Warning Lights



Common Specifications(SKLR/ SKMLR)

- Excellent visibility with special multi-faced reflector structure
- Adopts a special power transmission system that reduces noise and wear
- Attractive appearance by installed structure cover inside products
- Materials : Lens-PC, Housing-PC, Reflector-Heat resistant ABS
- Revolving speed : 120-140RPM
- Ambient operating temperature : -20°C to +50°C
- Protection rating : IP54



SKLR Streamlined LED Revolving Warning Light

- Has a 4 bolt structure to fix the product
- Compliant with RoHS directive

Model number	Voltage	Current	Certificates	Weight	Color
SKLR	DC12V	0.422A	-	0.38kg	<ul style="list-style-type: none"> • R-Red • A-Amber • G-Green • B-Blue
	DC24V	0.266A		0.38kg	



Wiring Instructions

- External power line standard : UL1015 AWG18(0.75sq)×2C 400mm
- DC Type : Black output lines is negative(-)



SKMLR Streamlined LED Revolving Warning Light

- 4 strong magnets enable secure attachment to the vehicle

Model number	Voltage	Current	Certificates	Weight	Color
SKMLR	DC12V	0.422A	-	0.46kg	<ul style="list-style-type: none"> • R-Red • A-Amber • G-Green • B-Blue
	DC24V	0.266A		0.46kg	



Wiring Instructions

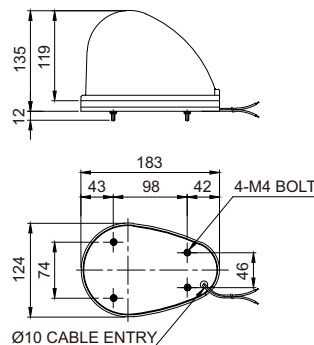
- Cigarette lighter plug, IEC42(0.75sq)×2P 2m



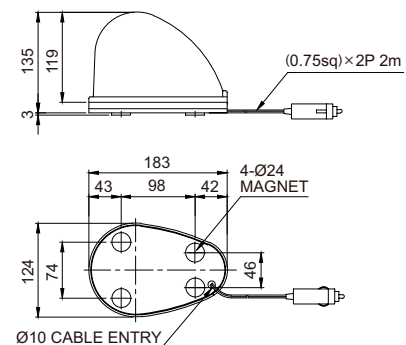
Technical Diagram

(Units : mm)

SKLR



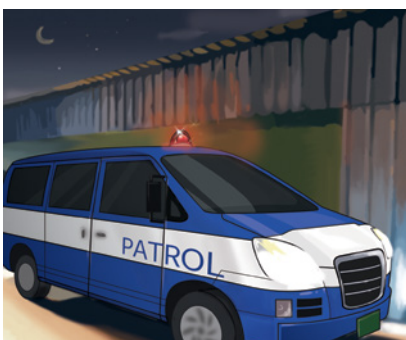
SKMLR



SKLR



SKMLR



SKMLR equipped on patrol vehicle.



Ordering Specification

SKLR	-	24	-	R
[Model number]		[Voltage]		[Color]
<ul style="list-style-type: none"> • SKLR • SKMLR 		<ul style="list-style-type: none"> • 12-DC12V • 24-DC24V 		<ul style="list-style-type: none"> • R-Red • A-Amber • G-Green • B-Blue

