

# SH1/SH2 series

Heavy-Duty Bulb Revolving Signal Light for Vessels and Heavy Industry Applications



- SH1-Ø125mm
- SH2-Ø150mm



SH1



SH2T

SH1/SH2 models are equipped with flexible connector, and SH1T/SH2T models are equipped with 15C nipple at cable entry.



Flexible connector



15C nipple

## Common Specifications(SH1/ SH2)

- Excellent light diffusion effect with multi faced reflector
- Adopts a special power transmission system that reduces noise and wear
- Revolving speed : 120-140RPM
- Standard housing color : MUNSSELL No. 7.5BG 7/2
- Materials : Lens-PC, Housing-AI, Protection cage-SUS316L, Reflector-PC
- Ambient operation temperature : -20°C to +50°C
- Cable entry : 1/2"PF
- Protection rating : IP66

## SH1 Bulb Revolving Warning Light

- Certificates : KIMM, ABS, CCS, CE

Model number	Voltage	Current	Bulb			Certificates	Color
			Spec	Standard	Parts no		
• SH1 Standard type	DC12V	1.544A	12V15W	G23 15S	17	 DC24V Only	• R-Red • A-Amber • G-Green • B-Blue
• SH1P Protection cage type	DC24V	0.766A	24V15W	G23 15S	18		
• SH1T Terminal box type	AC110V	0.204A	12V15W	G23 15S	17		
• SH1TP Protection cage and terminal box type	AC220V	0.102A	12V15W	G23 15S	17		

## SH2 Bulb Revolving Warning Light

- Certificates : KIMM, ABS, CE

Model number	Voltage	Current	Bulb			Certificates	Color
			Spec	Standard	Parts no		
• SH2 Standard type	DC12V	1.544A	12V15W	G23 15S	17	 DC24V Only	• R-Red • A-Amber • G-Green • B-Blue
• SH2P Protection cage type	DC24V	0.766A	24V15W	G23 15S	18		
• SH2T Terminal box type	AC110V	0.204A	12V15W	G23 15S	17		
• SH2TP Protection cage and terminal box type	AC220V	0.102A	12V15W	G23 15S	17		

## SH1/SH2 Bulb Revolving Warning Lights Specification Category and Products Weight Chart

Type	SH1 series		SH2 series	
	Ø125mm		Ø150mm	
Standard		SH1 (1.61kg)		SH2 (1.77kg)
Built-in protection cage		SH1P (1.86kg)		SH2P (2.06kg)
Built-in terminal box		SH1T (2.07kg)		SH2T (2.23kg)
Built-in protection cage & Terminal box		SH1TP (2.32kg)		SH2TP (2.52kg)

\* Product weight is based on AC type.

## Ordering Specification

SH1T	-	220	-	R
[Model number]		[Voltage]		[Color]
 • SH1 • SH1P • SH1T • SH1TP • SH2 • SH2P • SH2T • SH2TP		 • 12-DC12V • 24-DC24V • 110-AC110V • 220-AC220V		 • R-Red • A-Amber • G-Green • B-Blue



Warning/  
Signal/  
Stackable



Signal &  
Electric Horn/  
Speakers



Vessels and  
Heavy-Duty  
Equipment



Explosion  
Proof



Warning  
Light Bar



Aviation  
Obstruction  
Lights



Signal Tower  
Lights



USB/ETN  
Signal Tower  
Lights



Wireless  
Network  
System



Electric Horn/  
Speakers



Industrial  
LED Lights

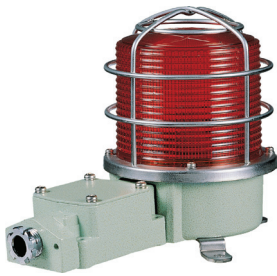
# SH1/ SH2 series

Heavy-Duty Signal Lights/ Warning Lights  
for Vessels and Heavy Industry Applications

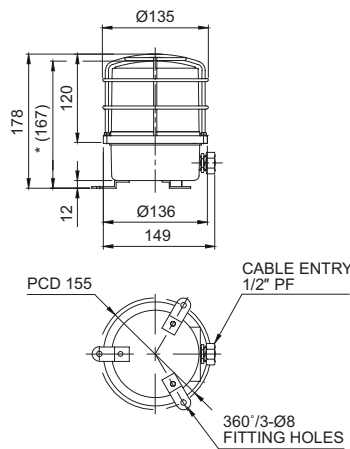


## Technical Diagram

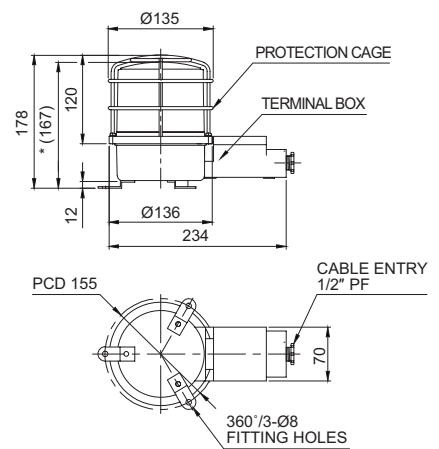
(Units : mm)



SH1LRP/ SH1LP/ SH1SP/ SH1P



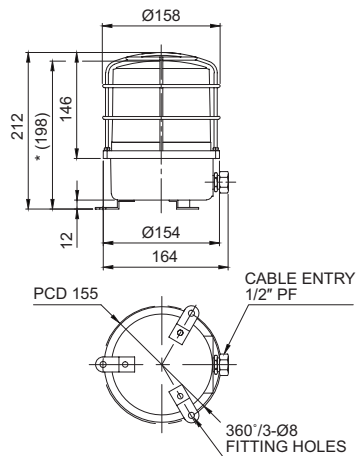
SH1TLRP/ SH1TLP/ SH1TSP/ SH1TP



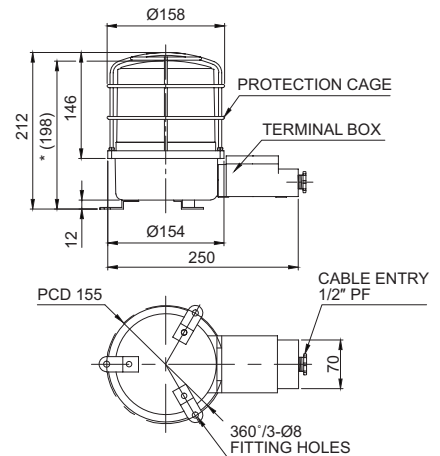
※ \*(167) represents SH1LR/ SH1L/ SH1S/ SH1, SH1TLR/ SH1TL/ SH1TS/ SH1T size without protection cage.



SH2LRP/ SH2LP/ SH2SP/ SH2P



SH2TLRP/ SH2TLP/ SH2TSP/ SH2TP

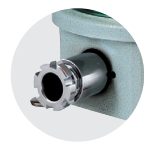


※ \*(198) represents SH2LR/ SH2L/ SH2S/ SH2, SH2TLR/ SH2TL/ SH2TS/ SH2T size without protection cage.



## Customization

- 3/4"PF cable entry  
Standard cable entry is 1/2"PF  
3/4"PF is customization
- Built-in cable gland type  
Flexible connector is equipped to the standard cable entry
- Brass housing product  
SH2 series brass housing provides products with excellent corrosion resistance as customization  
※ Color will be MUNSELL No. 7.5BG 7/2 when Released.
- 2T type has 2 cable entries in the terminal box  
2 cable entries terminal box is a customized add-on,  
please refer to the technical diagram on page 165



Built-in cable gland type



Brass housing product



2 cable entries terminal box model

# SH1/ SH2 series

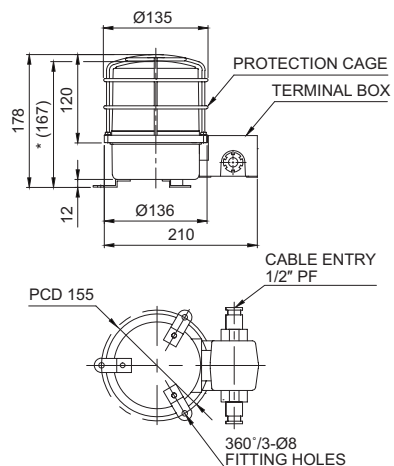
Heavy-Duty Signal Lights/ Warning Lights  
for Vessels and Heavy Industry Applications



## Technical Diagram for 2T Type Cable Entries

(Units : mm)

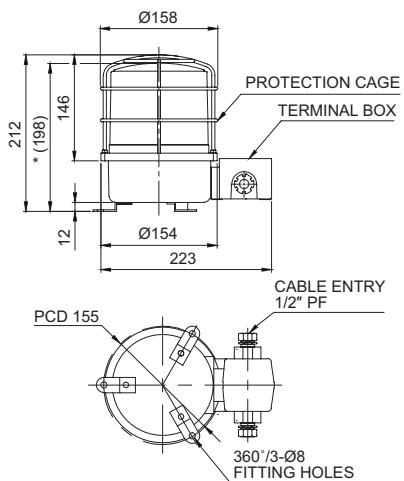
SH1LR-2TP/ SH1L-2TP/ SH1S-2TP/ SH1-2TP



※ \*(167) represents SH1LR-2T/ SH1L-2T/ SH1S-2T/ SH1-2T size without protection cage.



SH2LR-2TP/ SH2L-2TP/ SH2S-2TP/ SH2-2TP



※ \*(198) represents SH2LR-2T/ SH2L-2T/ SH2S-2T/ SH2-2T size without protection cage.



Warning/  
Signal/  
Stackable



Signal &  
Electric Horn/  
Speakers



Vessels and  
Heavy-Duty  
Equipment



Explosion  
Proof



Warning  
Light Bar



Aviation  
Obstruction  
Lights



Signal Tower  
Lights



USB/ETN  
Signal Tower  
Lights



Wireless  
Network  
System



Electric Horn/  
Speakers



Industrial  
LED Lights