

SANA Series



SANA200

PRODUCT SPECIFICATION

SANA200 | SANA400 | SANA700

Materials Horn-PC, Solenoid valve box-ABS
Ambient operating temperature -20°C to +60°C
Protection rating IP56
Air pressure 5-7kg/cm²
Housing standard color
 R-Red, BK-Black, 7.5BG-MUNSELL No.7.5BG 7/2
Volume Max. 130dB at 1m

- High volume horn uses compressed air to power the high pitched sound made with the diaphragm
- Uses a special material which consumes a small quantity of compressed air and has long durability
- Suitable for applications like a large and noisy engine rooms, a phone alarm in a pump room, or as an emergency alarm

- SANA200: 200-300Hz
- SANA400: 400-600Hz
- SANA700: 700-800Hz

SANA Series Air Horns for Vessels and Heavy Industrial Applications

Model number	Frequency	Volume	Voltage	Current	Certificates	Weight	Color
SANA200	200-300Hz		DC24V	0.448A		1.19kg	● R-Red
SANA400	400-600Hz	Max.130dB	AC110V	0.111A	-	1.13kg	● BK-Black
SANA700	700-800Hz		AC220V	0.055A		1.07kg	● 7.5BG

※ Please refer to [Sound tone and combination for standard product] on this catalogue for detailed sound tone specification

Customization

- Horn and solenoid valve box available separately for individual installation
- Non return valve, Y filter installation and regulator



Non return valve



Y filter



Regulator

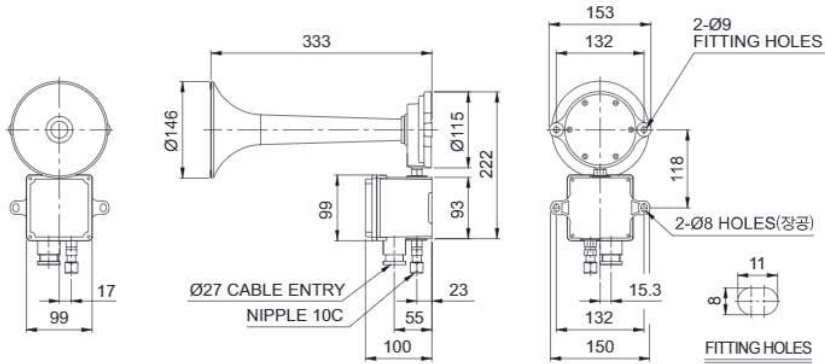
Ordering Specification

SANA200	-	220	-	R
[Model number]		[Voltage]		[Color]
SANA200		24-DC24V		● R-Red
SANA400		110-AC110V		● BK-Black
SANA700		220-AC220V		● 7.5BG

Technical Diagram

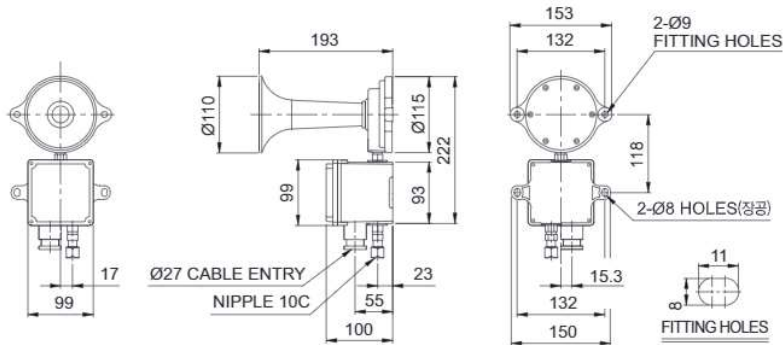
Unit: mm

-SANA200



SANA400

-SANA400



SANA700

-SANA700

