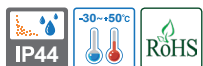


S80 series

Ø80mm LED Steady/ Flashing Signal Lights



S80LK



S80LK LED Steady/ Flashing Signal Light

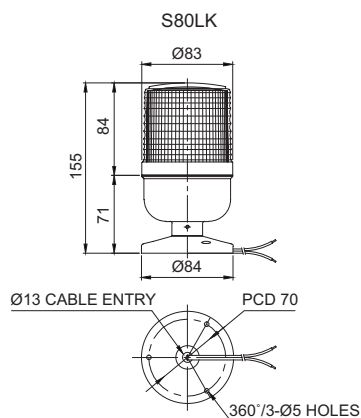
- Ø80mm LED steady/ flashing signal lights
- Circular mount bracket allows for convenient installation
- Buzzer not allowed
- Switch for selection between steady and flashing mode
- Flashing rate : 60-80 flashes/min
- Materials : Lens-AS, Housing-ABS, Reflector-Heat resistant ABS
- Ambient operating temperature : -30°C to +50°C
- Protection rating : IP44
- Compliant with RoHS directive

Specifications

| Model number | Voltage | Current | Certificates | Weight | Color |
|--------------|-----------|------------|--------------|--------|---|
| S80LK | DC12V-24V | Max.0.125A | - | 0.20kg | <ul style="list-style-type: none"> • R-Red • A-Amber • G-Green • B-Blue |
| | AC110V | 0.035A | | 0.37kg | |
| | AC220V | 0.020A | | 0.37kg | |

Technical Diagram

(Units : mm)



Wiring Instructions

- External power line standard : UL1015 AWG18(0.75sq)×2C 400mm
- Product can be wired regardless of polarity

Customization

• Pole mount type

| Standard | QZ18 | SZ18 | SL18 | QLA18 |
|----------|------|------|------|-------|
| | | | | |
| Steel | PC | Al | Al | PC |

※ Please refer to page34-39 for detailed dimension of mount bracket



Ordering Specification

| | | | | |
|----------------|---|--|---|---|
| S80LK | - | 24 | - | R |
| [Model number] | | [Voltage] | | [Color] |
| | | | | |
| • S80LK | | • 12-DC12V • 24-DC24V • 110-AC110V • 220-AC220V | | <ul style="list-style-type: none"> • R-Red • A-Amber • G-Green • B-Blue |