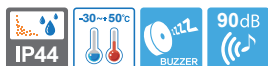


S80 series

Ø80mm Xenon Lamp Strobe Signal Lights



S80AS



S80AS Xenon Lamp Strobe Signal Light

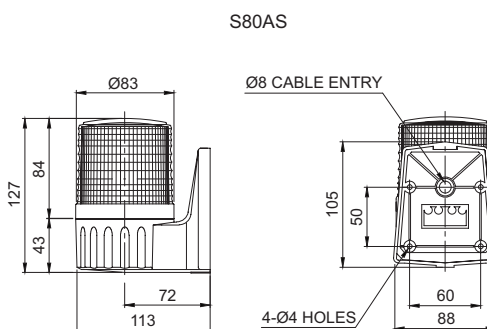
- Ø80mm xenon lamp strobe signal lights
- High efficiency strobe light that offers excellent outdoor visibility and long-distance signal light luminance close to natural light
- Lamp connector fastening structure allows for convenient lamp replacement
- Built-in buzzer available (Volume : Max 90dB at 1m)
- Flashing rate : 60-80 flashes/min
- Materials : Lens-AS, Housing-ABS
- Ambient operating temperature : -30°C to +50°C
- Protection rating : IP44

Specifications

Model number	Voltage	Current	Bulb			Certificates	Weight	Color
			Spec	Standard	Parts no			
S80AS	DC12V-24V	Max. 0.435A	220V -350V	BGA2120 -BBC I type	47	 DC only	0.27kg	<ul style="list-style-type: none"> • R-Red • A-Amber • G-Green • B-Blue
	AC110V	0.075A					0.27kg	
	AC220V	0.060A					0.24kg	
							0.24kg	

Technical Diagram

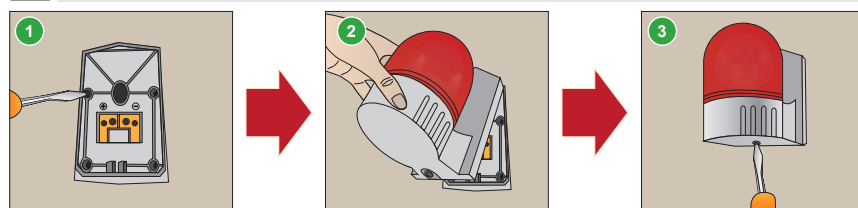
(Units : mm)



Wiring Instructions

- Attach the power supply wire to the terminal block
- Product can be wired regardless of polarity

Mounting Instructions



- 1 Secure the base plate to the mounting surface, and the power line to the terminal block
- 2 Mount the warning light by inserting the ring(hook) into the upper part of the base plate
- 3 Screw in the bolt at the base of the mounting bracket to complete assembly

Ordering Specification

S80AS	-	BZ	-	24	-	R
[Model number]		[Buzzer option]		[Voltage]		[Color]
• S80AS		• None • No buzzer • BZ • Built-in buzzer		• 12/24-DC12V-24V • 110-AC110V • 220-AC220V		• R-Red • A-Amber • G-Green • B-Blue



S80A series enable easy wiring
S80A series enables easy wiring with its terminal block attached to the fixed base plate. With this system the contacts in the housing sends power directly to the terminal block.

