

Specification List for Revolving Warning/ Signal Lights

Bulb Revolving Warning Lights



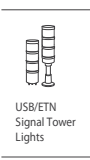
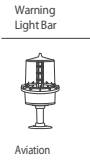
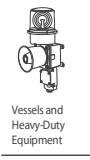
Model number	S60R	S80R	S80U	S80RK	S80UK	S80AR	S80AU
Voltage	DC12V, DC24V AC110V, AC220V	DC12V, DC24V AC110V, AC220V	DC12V, DC24V AC110V, AC220V	DC12V, DC24V AC110V, AC220V	DC12V, DC24V AC110V, AC220V	DC12V, DC24V AC110V, AC220V	DC12V, DC24V AC110V, AC220V
Dimension (mm)	Diameter	Ø70	Ø83	Ø83	Ø84	Ø84	Ø83
	Height	121	131	133	153	155	125
	Depth	-	-	-	-	-	113
Volume	-	Max 90dB at 1m	Max 90dB at 1m	-	-	Max 90dB at 1m	Max 90dB at 1m
Material	Lens-AS Housing-ABS	Lens-AS Housing-ABS	Lens-AS Housing-ABS	Lens-AS Housing-ABS	Lens-AS Housing-ABS	Lens-AS Housing-ABS	Lens-AS Housing-ABS
Mount bracket	Self stand	Self stand	Self stand	Mount bracket	Mount bracket	Wall mount	Wall mount
Protection rating	IP44	IP44	IP44	IP44	IP44	IP44	IP44
Certificates	CE	CE	CE	CE	CE	CE	CE
Customization	Wall mount	Wall mount	Wall mount	Pole mount	Pole mount	-	-
Page	P52	P53	P53	P54	P54	P55	P55



Model number	S100R	S100U	S100UA	S100M	S125R	S125U	S125M
Voltage	DC12V, DC24V AC110V, AC220V	DC12V, DC24V AC110V, AC220V	DC12V, DC24V AC110V, AC220V	DC12V, DC24V	DC12V, DC24V AC110V, AC220V	DC12V, DC24V AC110V, AC220V	DC12V, DC24V
Dimension (mm)	Diameter	Ø101	Ø101	Ø101	Ø101	Ø119	Ø119
	Height	149	152	155	149	161	158
	Depth	-	-	-	-	-	-
Volume	Max 90dB at 1m	Max 90dB at 1m	Max 90dB at 1m	Max 90dB at 1m	Max 90dB at 1m	Max 90dB at 1m	Max 90dB at 1m
Material	Lens-AS Housing-ABS	Lens-AS Housing-ABS	Lens-AS Housing-ABS	Lens-AS Housing-ABS	Lens-AS Housing-ABS	Lens-AS Housing-ABS	Lens-AS Housing-ABS
Mount bracket	Self stand	Self stand	Self stand	Detachable magnet	Self stand	Self stand	Detachable magnet
Protection rating	IP44	IP44	IP44	IP54	IP44	IP44	IP54
Certificates	CE	CE	CE	CE	CE	CE	CE
Customization	Wall mount Efficient product (S100E), FT Bracket equipped	Wall mount 2 tones buzzer Dome type lens (S100UR)	Wall mount 2 tones buzzer	AC type	Wall mount Efficient product (S125E), FT Bracket equipped	Wall mount 2 tones buzzer	AC type
Page	P69	P70	P70	P71	P76	P77	P78

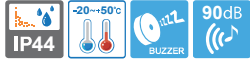


Model number	SK/ SKH	SKM/ SKMH	SKMP/SKMPH	S150U	S150U-FT	S150R	S150R-FT
Voltage	DC12V, DC24V	DC12V, DC24V	DC12V, DC24V	DC12V, DC24V AC110V, AC220V	DC12V, DC24V AC110V, AC220V	DC12V, DC24V AC110V, AC220V	DC12V, DC24V AC110V, AC220V
Dimension (mm)	Diameter	-	-	Ø138	Ø138	Ø140	Ø140
	Height	135	138	142	193	196	189
	Depth	183(Length)	183(Length)	185(Length)	-	-	-
Volume	-	-	-	Max 90dB at 1m	Max 90dB at 1m	-	-
Material	Lens-PC Housing-PC	Lens-PC Housing-PC	Lens-PC Housing-PC	Lens-PC Housing-ABS	Lens-PC Housing-ABS	Lens-PC Housing-STS	Lens-PC Housing-STS
Mount bracket	Self stand	Detachable magnet	Detachable magnet	Self stand	Mount bracket	Self stand	Mount bracket
Protection rating	IP54	IP54	IP54	IP44	IP44	IP44	IP44
Certificates	-	-	-	CE	CE	CE	CE
Customization	-	-	Oval-shaped rubber magnet	2 tones buzzer	2 tones buzzer	-	-
Page	P83	P83	P84	P96	P96	P97	P97



S100 series

Ø100mm Bulb Revolving Signal Lights



S100U



S100UA

Enhanced diffusion through a special 12 sided diffusive lens



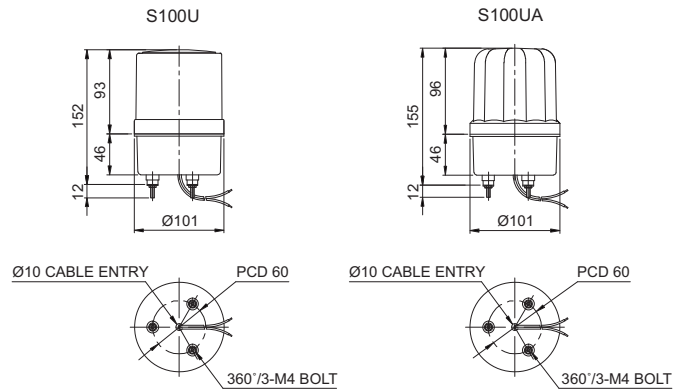
S100U set on 1st floor security gate of public office for disabled persons.

S100U/ S100UA Bulb Revolving Signal Lights

• Protection rating : IP44

Model number	Voltage	Current	Bulb			Certificates	Weight	Color
			Spec	Standard	Parts no			
S100U S100UA	DC12V	0.966A	12V10W	T16x35 15S	9	CE DC only	0.36kg	<ul style="list-style-type: none"> • R-Red • A-Amber • G-Green • B-Blue
	DC24V	0.566A	24V10W	T16x35 15S	10		0.36kg	
	AC110V	0.130A	12V10W	T16x35 15S	9		0.59kg	
	AC220V	0.065A	12V10W	T16x35 15S	9		0.59kg	

Technical Diagram (Units : mm)



Wiring Instructions

- External power line standard : UL1015 AWG18(0.75sq)×2C 400mm
- DC type : Black output line is negative(-)

Customization

- 2 buzzer sound types : Both prolonged(beep, beep) and staccato(beep, beep, beep) buzzer output available

- Product used dome type lens (Model number : S100UR)
- Wall mount bracket options : Bracket structure allows for threading through the bracket hole or into the wall mount



Ordering Specification

S100U	-	BZ	-	220	-	R
[Model number]		[Buzzer option]		[Voltage]		[Color]
<ul style="list-style-type: none"> • S100U • S100UA 		<ul style="list-style-type: none"> • None • No buzzer • BZ • Built-in buzzer 		<ul style="list-style-type: none"> • 12-DC12V • 24-DC24V • 110-AC110V • 220-AC220V 		<ul style="list-style-type: none"> • R-Red • A-Amber • G-Green • B-Blue