

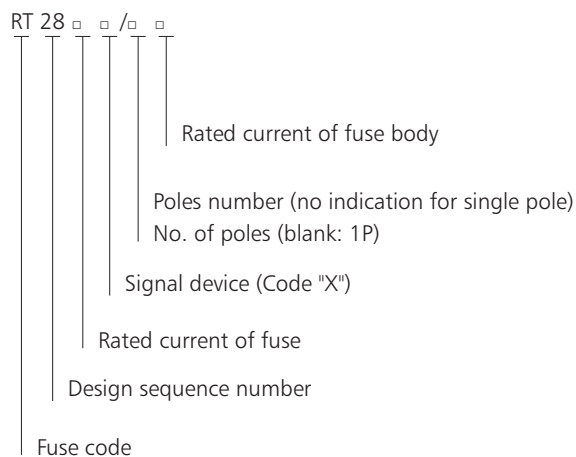


RT28 Fuse Disconnecter

1. General

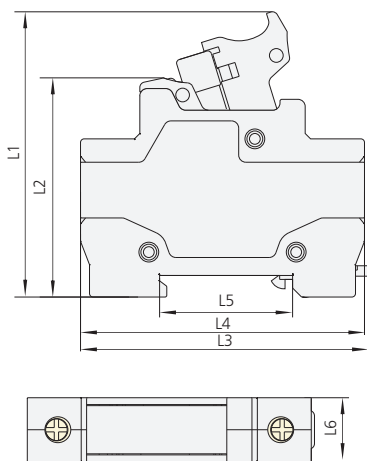
- 1.1 Electric ratings: AC380V/500V, up to 125A;
- 1.2 Application: for protection of power distribution apparatus against over-load and short circuit;
- 1.3 The fusing indication device (code "X") of the fuse disconnecter is composed of Neon lamp and resistance;
- 1.4 Standard: IEC 60269.

2. Type Designation

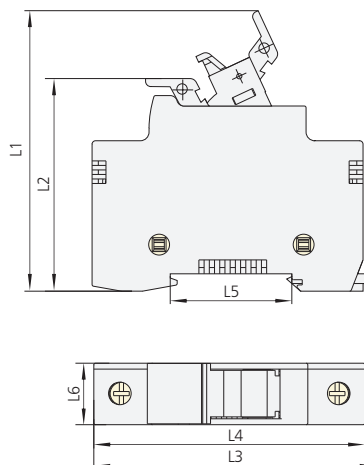


3. Overall and Mounting Dimensions

RT28-32

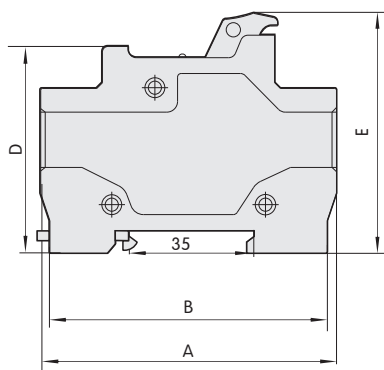


RT28-32(X)

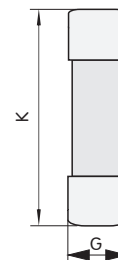
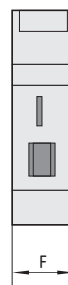


NRT28-32

Fuses



NRT28-63



RT28-32
RT28-63

RT28 fuse link

Model	Matched fuse holder	Rated current of fuse (A)	Phase	Dimension (mm)							
				L1	L2	L3	L4	L5	L6	L7	L8
RT28-32(X)	RT14-20(≤ 20), RT28-32	2, 4, 6, 10, 16, 20, 25, 32	1P/2P/3P	77	61.5	83	79	35	18	38	10
RT28-63(X)	RT14-32(≤ 32), RT28-63	16, 20, 25, 32, 40, 50, 63	1P/2P/3P	110	80	106	103	35	26	51	14
NRT28-32	RT14-20(≤ 20), RT28-32	2, 4, 6, 10, 16, 20, 25, 32	1P/2P/3P	79	62	80	78	35	18	38	10
RT28-63	RT28-63 ≤ 63 A	16, 20, 25, 32, 40, 50, 63	1P/2P/3P	100	78	115	108	35	26	51	14
NRT28-63	NRT28-63 ≤ 63 A	16, 20, 25, 32, 40, 50, 63	1P/2P/3P	100	78	115	108	35	26	51	14
NRT28-125	RT28-125 ≤ 125 A	25, 32, 40, 50, 63, 80, 100, 125	1P/2P/3P	104	78	134	125	35	36	58	22

