

Residual Current Circuit Breakers DIN rail mounting

Miniature Circuit Breakers &
Residual Current Devices

CE
Certificate



RKN type

Technical data

Standard	Confirming to IEC61008	
Protection	Ground fault	
Rated current	25, 32, 40, 63A	
Number of poles	2 (1+N), 4 (3+N)pole	
Rated sensitivity currents, $I_{\Delta n}$	30, 100, 300mA	
Rated residual non-operating current	$0.5 \times I_{\Delta n}$	
Rated voltage	2pole	240VAC
	4pole	240/415VAC
Residual current off-time at $I_{\Delta n}$	$\leq 0.1s$	
Rated insulation voltage [Ui]	500V	
Rated impulse withstand voltage [Uimp]	4kV	
Rated making capacity, I_m	500A for $I_n=25, 32, 40A$ 630A for $I_n=63A$	
Rated conditional short-circuit current, I_{nc}	6kA for $I_n=25, 32, 40, 63A$	
Type of trip	Electro-magnetic	
Type of terminal	Lug type	
Terminal capacity	Cables up to 35mm ²	
Installation	35mm DIN rail	
Type of operation	A/AC	
Slot size	45mm	

Order No.

Pole	I_n	$I_{\Delta n}$	Model	Order No.	Pack. unit (Pcs.)
1P+N	25A	30mA	RKN 1P+N 25A 30mA	06220103R0	60
			RKN 1P+N 32A 30mA	06220106R0	60
			RKN 1P+N 40A 30mA	06220109R0	60
			RKN 1P+N 63A 30mA	06220112R0	60
	32A	100mA	RKN 1P+N 25A 100mA	06220104R0	60
			RKN 1P+N 32A 100mA	06220107R0	60
			RKN 1P+N 40A 100mA	06220110R0	60
			RKN 1P+N 63A 100mA	06220113R0	60
	40A	300mA	RKN 1P+N 25A 300mA	06220105R0	60
			RKN 1P+N 32A 300mA	06220108R0	60
			RKN 1P+N 40A 300mA	06220111R0	60
			RKN 1P+N 63A 300mA	06220114R0	60

Pole	I_n	$I_{\Delta n}$	Model	Order No.	Pack. unit (Pcs.)
3P+N	25A	30mA	RKN 3P+N 25A 30mA	06240013R0	30
			RKN 3P+N 32A 30mA	06240016R0	30
			RKN 3P+N 40A 30mA	06240019R0	30
			RKN 3P+N 63A 30mA	06240022R0	30
	32A	100mA	RKN 3P+N 25A 100mA	06240014R0	30
			RKN 3P+N 32A 100mA	06240017R0	30
			RKN 3P+N 40A 100mA	06240020R0	30
			RKN 3P+N 63A 100mA	06240023R0	30
	40A	300mA	RKN 3P+N 25A 300mA	06240015R0	30
			RKN 3P+N 32A 300mA	06240018R0	30
			RKN 3P+N 40A 300mA	06240021R0	30
			RKN 3P+N 63A 300mA	06240024R0	30

Residual Current Circuit Breakers

DIN rail mounting

RKN type

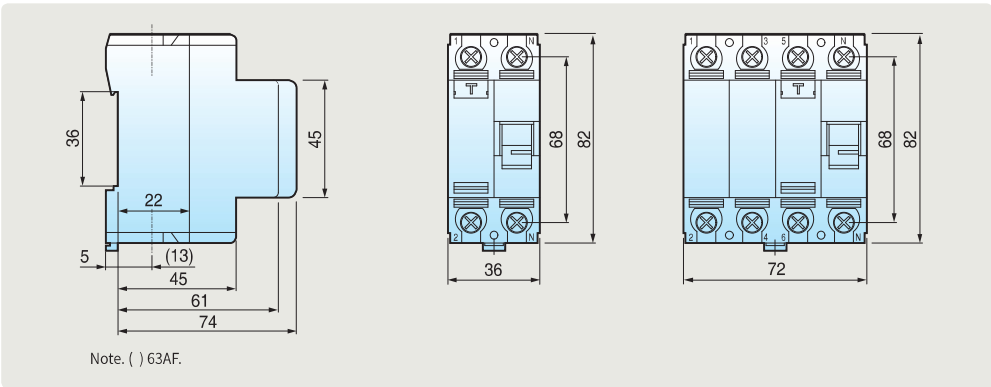
Order No. A type



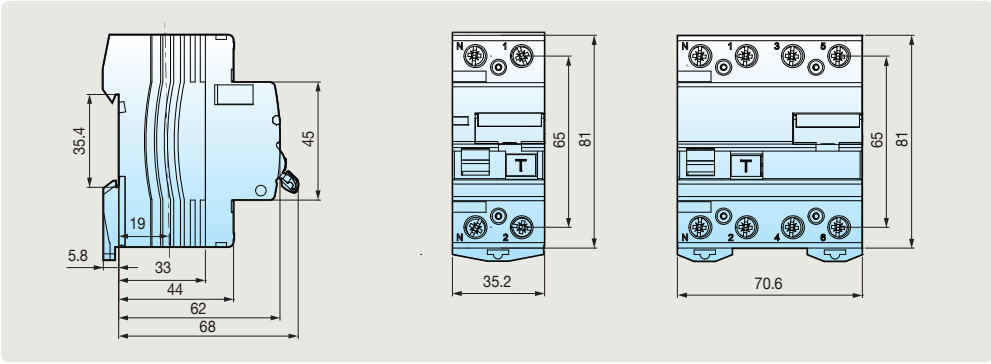
Pole	In	I _{Δn}	Model	Order No.	Pack. unit (Pcs.)
1P+N	25A	30mA	RKN 1P+N 25A 30mA A type	06220444R0	60
			RKN 1P+N 32A 30mA A type	06220447R0	60
			RKN 1P+N 40A 30mA A type	06220450R0	60
			RKN 1P+N 63A 30mA A type	06220453R0	60
	32A	100mA	RKN 1P+N 25A 100mA A type	06220445R0	60
			RKN 1P+N 32A 100mA A type	06220448R0	60
			RKN 1P+N 40A 100mA A type	06220451R0	60
			RKN 1P+N 63A 100mA A type	06220454R0	60
	40A	300mA	RKN 1P+N 25A 300mA A type	06220446R0	60
			RKN 1P+N 32A 300mA A type	06220449R0	60
			RKN 1P+N 40A 300mA A type	06220452R0	60
			RKN 1P+N 63A 300mA A type	06220455R0	60
63A					

Pole	In	I _{Δn}	Model	Order No.	Pack. unit (Pcs.)
3P+N	25A	30mA	RKN 3P+N 25A 30mA A type	06220456R0	30
			RKN 3P+N 32A 30mA A type	06220459R0	30
			RKN 3P+N 40A 30mA A type	06220462R0	30
			RKN 3P+N 63A 30mA A type	06220465R0	30
	32A	100mA	RKN 3P+N 25A 100mA A type	06220457R0	30
			RKN 3P+N 32A 100mA A type	06220460R0	30
			RKN 3P+N 40A 100mA A type	06220463R0	30
			RKN 3P+N 63A 100mA A type	06220466R0	30
	40A	300mA	RKN 3P+N 25A 300mA A type	06220458R0	30
			RKN 3P+N 32A 300mA A type	06220461R0	30
			RKN 3P+N 40A 300mA A type	06220464R0	30
			RKN 3P+N 63A 300mA A type	06220467R0	30
63A					

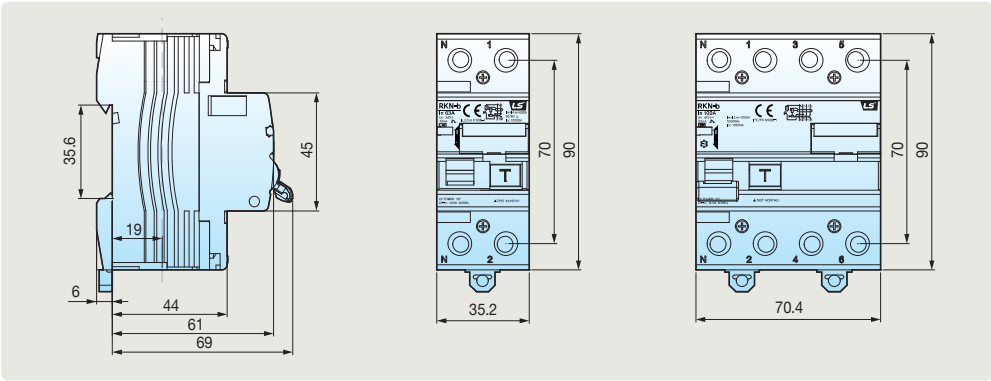
RKN



RKN-b (63AF)



RKN-b (100AF)



BKD

