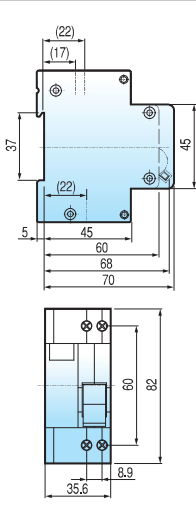
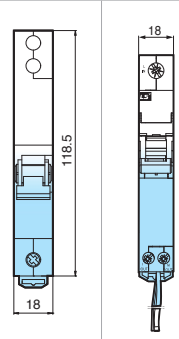
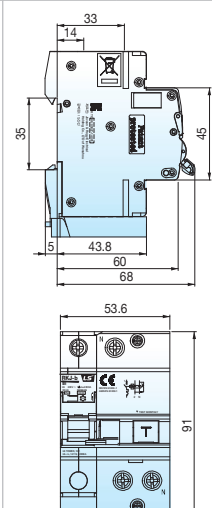
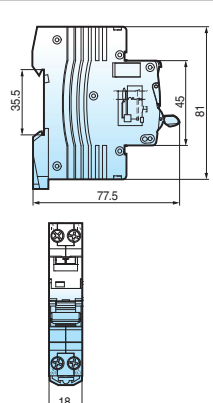


Residual Current Circuit Breakers

1, 2 and 4pole series up to 125AF



Type	RCBO					
	RKP	RKS	RKS-b	RKJ	RKJ-b	
Protection	Ground fault and overcurrent	Ground fault and overcurrent	Ground fault and overcurrent	Ground fault and overcurrent	Ground fault and overcurrent	
Rated current	3 (C, D curve), 6, 10, 16, 20, 25, 32A (B, C, D curve)	6, 10, 16, 20, 25, 32A (40, 50A) * (B, C curve)		1, 2, 3, 4, 5, 6, 10, 16, 20, 25, 32, 40, 50, 63(B, C, D curve)		6, 10, 16, 20, 25, 32A (B, C curve)
Rated residual current	-	-	-	-	-	-
Operating, $I_{\Delta n}$	30, 100, 300mA (Non-adjustable)	30, 100mA (Non-adjustable)		30, 100, 300mA (Non-adjustable)		10, 30mA (Non-adjustable)
Non-operating, $I_{\Delta no}$	$0.5I_{\Delta n}$	$0.5I_{\Delta n}$		$0.5I_{\Delta n}$		$0.5I_{\Delta n}$
Poles	1P+N	1P+N		1P+N, 2P, 3P, 3P+N, 4P		1P+N
Rated voltage	230VAC	230VAC 240VAC		230VAC		240VAC
Residual current off-time	≤ 0.1 sec.	≤ 0.3 sec.		≤ 0.1 sec.		≤ 0.1 sec
Standard	IEC 61009	IEC 61009		IEC61009-1		IEC 61009
Approval	CCC, SEMKO CB, CE, SABS	SEMKO CB, CE, SABS	SEMKO CB, CE	SEMKO CB		SEMKO CB, CE
Type of trip	-	-		-		-
Ground fault	Electronic	Electronic		Electro-magnetic		Electronic
Overcurrent	Thermal-magnetic	Thermal-magnetic		Thermal-magnetic		Thermal-magnetic
Breaking capacity	4.5kA	10kA		6kA 10kA		6kA (32A 4.5kA)
Conditional short circuit capacity	-	-		-		-
Endurance Electrical	4,000 operations	4,000 operations		4,000 operations		4,000 operations
Mechanical	10,000 operations	10,000 operations		10,000 operations		10,000 operations
Mount	On 35mm DIN rail	On 35mm DIN rail		On 35mm DIN rail		On 35mm DIN rail
Width	35.6mm	18mm		17.8mm		18mm
Terminal	Lug type (Cable up to 10mm ²)	Lug type (Cable up to 10mm ²)		Lug type (Cable up to 25mm ²)		Lug type (Cable up to 10mm ²)
Type of operation	AC	AC		A/AC		A/AC
Dimension						
Characteristic curve	See page 49	See page 49		-		-

* 40, 50A are available only for RKS-b

Residual Current Circuit Breakers With Overcurrent Protection DIN rail mounting

CE
Certificate



RKC 1+N

RKC type

Technical data

Standard	Confirming to IEC 61009	
Approval	SEMKO CB, CE	
Protection	Ground fault and overcurrent	
Rated current	6, 10, 16, 20, 25, 32A	
Rated voltage	240VAC	
Breaking capacity	6kA (32A 4.5kA)	
Characteristic	B, C curve	
Rated residual operating current	10, 30mA	
Number of poles	1P+N	
Rated insulation voltage [Ui]	600V	
Rated impulse withstand voltage [Uimp]	4kV	
Type of trip	Ground fault	Electronic
	Overcurrent	Thermal-magnetic
Terminal	Lug type (Cables up to 10mm ²)	
Mount	35mm DIN rail	
Width	18mm	
Electrical endurance	4,000 operations	

RKC B curve AC type new ROGY

In	I _{Δn}	Model	Order No.	Pack. unit (Pcs.)
6A	10mA	RKC 1P+N B6A 10mA 6kA	06221020R0	12
	30mA	RKC 1P+N B6A 30mA 6kA	06221026R0	12
10A	10mA	RKC 1P+N B10A 10mA 6kA	06221021R0	12
	30mA	RKC 1P+N B10A 30mA 6kA	06221027R0	12
16A	10mA	RKC 1P+N B16A 10mA 6kA	06221022R0	12
	30mA	RKC 1P+N B16A 30mA 6kA	06221028R0	12
20A	10mA	RKC 1P+N B20A 10mA 6kA	06221023R0	12
	30mA	RKC 1P+N B20A 30mA 6kA	06221029R0	12
25A	10mA	RKC 1P+N B25A 10mA 6kA	06221024R0	12
	30mA	RKC 1P+N B25A 30mA 6kA	06221030R0	12
32A	10mA	RKC 1P+N B32A 10mA 4.5kA	06221025R0	12
	30mA	RKC 1P+N B32A 30mA 4.5kA	06221031R0	12

RKC C curve AC type new ROGY

In	I _{Δn}	Model	Order No.	Pack. unit (Pcs.)
6A	10mA	RKC 1P+N C6A 10mA 6kA	06221032R0	12
	30mA	RKC 1P+N C6A 30mA 6kA	06221038R0	12
10A	10mA	RKC 1P+N C10A 10mA 6kA	06221033R0	12
	30mA	RKC 1P+N C10A 30mA 6kA	06221039R0	12
16A	10mA	RKC 1P+N C16A 10mA 6kA	06221034R0	12
	30mA	RKC 1P+N C16A 30mA 6kA	06221040R0	12
20A	10mA	RKC 1P+N C20A 10mA 6kA	06221035R0	12
	30mA	RKC 1P+N C20A 30mA 6kA	06221041R0	12
25A	10mA	RKC 1P+N C25A 10mA 6kA	06221036R0	12
	30mA	RKC 1P+N C25A 30mA 6kA	06221042R0	12
32A	10mA	RKC 1P+N C32A 10mA 4.5kA	06221037R0	12
	30mA	RKC 1P+N C32A 30mA 4.5kA	06221043R0	12



RKC 1+N

RKC type

RKC B curve A type new ROGY

In	I _{Δn}	Model	Order No.	Pack. unit (Pcs.)
6A	10mA	RKC 1P+N B6A 10mA 6kA	06221044R0	12
	30mA	RKC 1P+N B6A 30mA 6kA	06221050R0	12
10A	10mA	RKC 1P+N B10A 10mA 6kA	06221045R0	12
	30mA	RKC 1P+N B10A 30mA 6kA	06221051R0	12
16A	10mA	RKC 1P+N B16A 10mA 6kA	06221046R0	12
	30mA	RKC 1P+N B16A 30mA 6kA	06221052R0	12
20A	10mA	RKC 1P+N B20A 10mA 6kA	06221047R0	12
	30mA	RKC 1P+N B20A 30mA 6kA	06221053R0	12
25A	10mA	RKC 1P+N B25A 10mA 6kA	06221048R0	12
	30mA	RKC 1P+N B25A 30mA 6kA	06221054R0	12
32A	10mA	RKC 1P+N B32A 10mA 4.5kA	06221049R0	12
	30mA	RKC 1P+N B32A 30mA 4.5kA	06221055R0	12

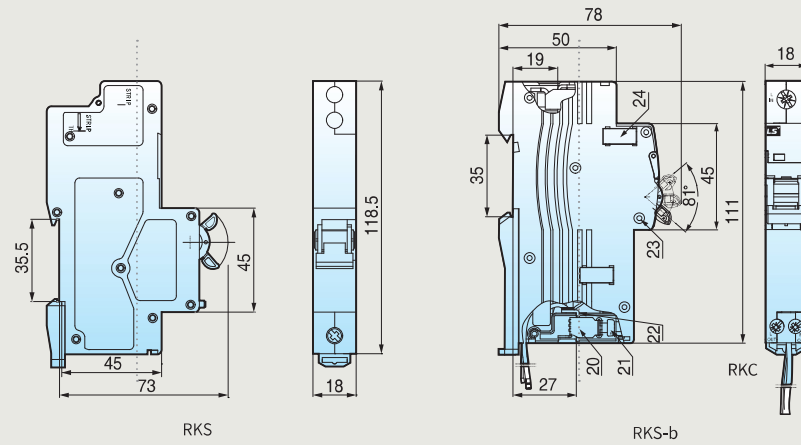
RKC C curve A type new ROGY

In	I _{Δn}	Model	Order No.	Pack. unit (Pcs.)
6A	10mA	RKC 1P+N C6A 10mA 6kA	06221056R0	12
	30mA	RKC 1P+N C6A 30mA 6kA	06221062R0	12
10A	10mA	RKC 1P+N C10A 10mA 6kA	06221057R0	12
	30mA	RKC 1P+N C10A 30mA 6kA	06221063R0	12
16A	10mA	RKC 1P+N C16A 10mA 6kA	06221058R0	12
	30mA	RKC 1P+N C16A 30mA 6kA	06221064R0	12
20A	10mA	RKC 1P+N C20A 10mA 6kA	06221059R0	12
	30mA	RKC 1P+N C20A 30mA 6kA	06221065R0	12
25A	10mA	RKC 1P+N C25A 10mA 6kA	06221060R0	12
	30mA	RKC 1P+N C25A 30mA 6kA	06221066R0	12
32A	10mA	RKC 1P+N C32A 10mA 4.5kA	06221061R0	12
	30mA	RKC 1P+N C32A 30mA 4.5kA	06221067R0	12

Overall dimensions

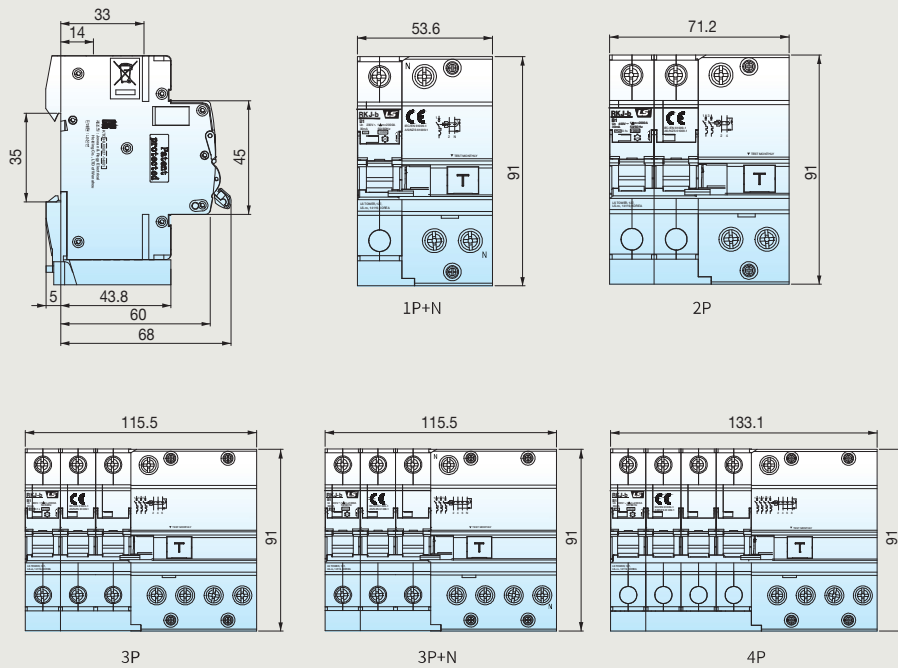
RKS

RKS-b



RKJ

RKJ-b



RKC

