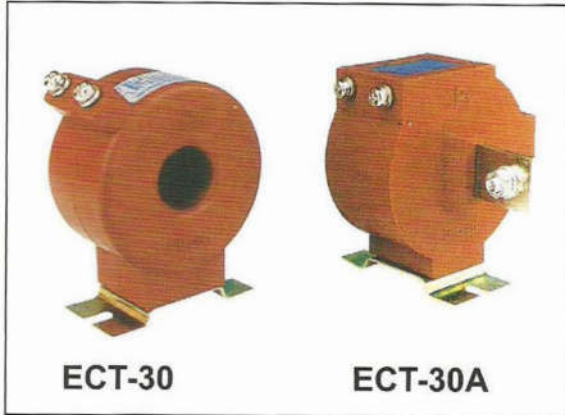




Current Transformer, Shunt

CURRENT TRANSFORMER



ECT-30 Indoor cast-resin insulated CT

Primary current: 30-300A
 Secondary current: 5A
 Frequency: 50-60Hz
 Rated burden: 10VA, 15VA
 Class: 0.2, 0.5s, 0.5, 1.0

ECT-30A Indoor cast-resin insulated CT

Primary current: 30-200A
 Secondary current: 5A
 Frequency: 50-60Hz
 Rated burden: 5VA, 10VA, 15VA
 Class: 0.2, 0.5s, 0.5, 1.0

RCT-15-4



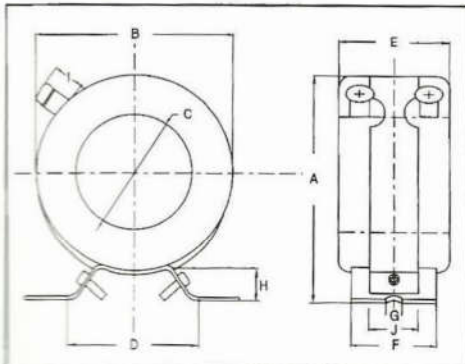
RCT-15-3



RCT-15-2



RCT-15-1



Model	Primary Current Rating(Amp)	Sec Current(A)	Burden (VA)	Accuracy Strength	Power	Weight
RCT-51-1	20~300	5	5~10	1.0	40	0.8
RCT-15-2	400~600	5	15	1.0	40	1
RCT-15-3	800~1200	5	15	1.0	40	1.3
RCT-15-4	1600~3000	5	15	1.0	40	2

Model	A	B	C	D	E	F	G	H	I	J
RCT-15-1	92	78	35	67	55	45	8	17	14	25
RCT-15-2	116	100	60	67	57	45	8	17	15	25.5
RCT-15-3	150	135	91	67	59	45	8	17	15	26.2
RCT-15-4	178	160	110	72	60	45	8	19	16	26.7