

QWTD series

Wall Mount LED Signal Towers with Built-in Siren



Wall mount signal tower with built-in audible alarm is now available!

- **WS (5 Warning sounds)**
- **WP (5 Special warning sounds)**
- **WM (5 Melodies)**
- **WA (5 Alarms)**



QWTD series



QWTD Speaker

QWTD embedded speaker design minimizes risk of contamination from debris while providing efficient sound output.

QWTD Ø70mm Wall Mount LED Steady/Flashing Signal Towers

- Wall mount model that minimizes the chance of damage from moving obstacles or personnel
- Superior side visibility with round-shaped lens
- 5 selectable sound pattern combinations(5 warning sounds, 5 special warning sounds, 5 melodies, 5 alarms)
- Selectable between steady/flashing mode with proper wire arrangement
- Standard color arrangements
 - 1 Layer : ● Red
 - 2 Layers : ● Red ● Green
 - 3 Layers : ● Red ● Amber ● Green
 - 4 Layers : ● Red ● Amber ● Green ● Blue
 - 5 Layers : ● Red ● Amber ● Green ● Blue ● Clear White
- Available for customized color arrangements
- Built-in siren sound volume (Max 85dB at 1m)
- Materials : Lens-PC, Cover-ABS, Case-ABS
- Ambient operating temperature : -30°C to +50°C
- Protection rating : IP54
- Certificates : CE Compliant
- Compliant with RoHS directive

Specifications

| Model number | Layer | Voltage | Current | Certificates | Weight | Color |
|--|-------|-------------|------------|---------------|--------|--|
| QWTDL Steady QWTDLF Steady/ Flashing | 1 | AC/DC12V | 0.065A | CE DC Only | 0.14kg | ● R-Red |
| | | AC/DC24V | 0.050A | | 0.14kg | |
| | | AC110V-220V | Max 0.025A | | 0.27kg | |
| | 2 | AC/DC12V | 0.130A | | 0.18kg | ● R-Red ● G-Green |
| | | AC/DC24V | 0.050A | | 0.18kg | |
| | | AC110V-220V | Max 0.050A | | 0.32kg | |
| | 3 | AC/DC12V | 0.195A | | 0.23kg | ● R-Red ● A-Amber ● G-Green |
| | | AC/DC24V | 0.150A | | 0.23kg | |
| | | AC110V-220V | Max 0.075A | | 0.36kg | |
| | 4 | AC/DC12V | 0.260A | | 0.27kg | ● R-Red ● A-Amber ● G-Green ● B-Blue |
| | | AC/DC24V | 0.200A | | 0.27kg | |
| | | AC110V-220V | Max 0.100A | | 0.41kg | |
| | 5 | AC/DC12V | 0.325A | | 0.32kg | ● R-Red ● A-Amber ● G-Green ● B-Blue ● W-White |
| | | AC/DC24V | 0.250A | | 0.32kg | |
| | | AC110V-220V | Max 0.125A | | 0.45kg | |

- QWTD-WS** 5 Pre-Recorded Warning Sounds
- QWTD-WP** 5 Pre-Recorded Special Warning Sounds
- QWTD-WM** 5 Pre-Recorded Melodies
- QWTD-WA** 5 pre-Recorded Alarms

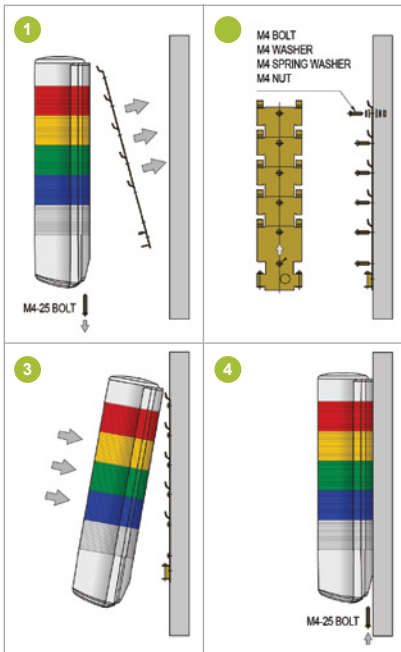
- ※ AC type model has a free-voltage range of 100V-240V.
- ※ Please refer to page 22 for detailed information about selectable sound patterns.

Signal/Audible Line Power Consumption (per each layer)

| Voltage Rating | AC/DC12V | AC/DC24V | AC110V-220V |
|----------------------------|----------|----------|-------------|
| Signal Line Power Current | 0.040A | 0.040A | Max 0.024A |
| Audible Line Power Current | 0.300A | 0.160A | Max 0.031A |

- ※ You can even rearrange the pre-assembled LED color arrangements after installation.

How to mount

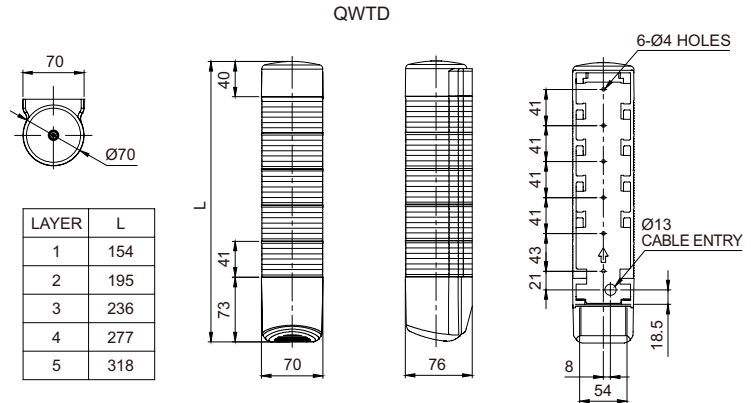


- 1 Dismantle body and mount by loosening two M4 bolts at the bottom of the lamp
- 2 Put the mounting bracket on the mounting hole
- 3 Hang the lamp on the mount
- 4 Fasten two M4 bolts at the bottom of the lamp after completing installation on the mount

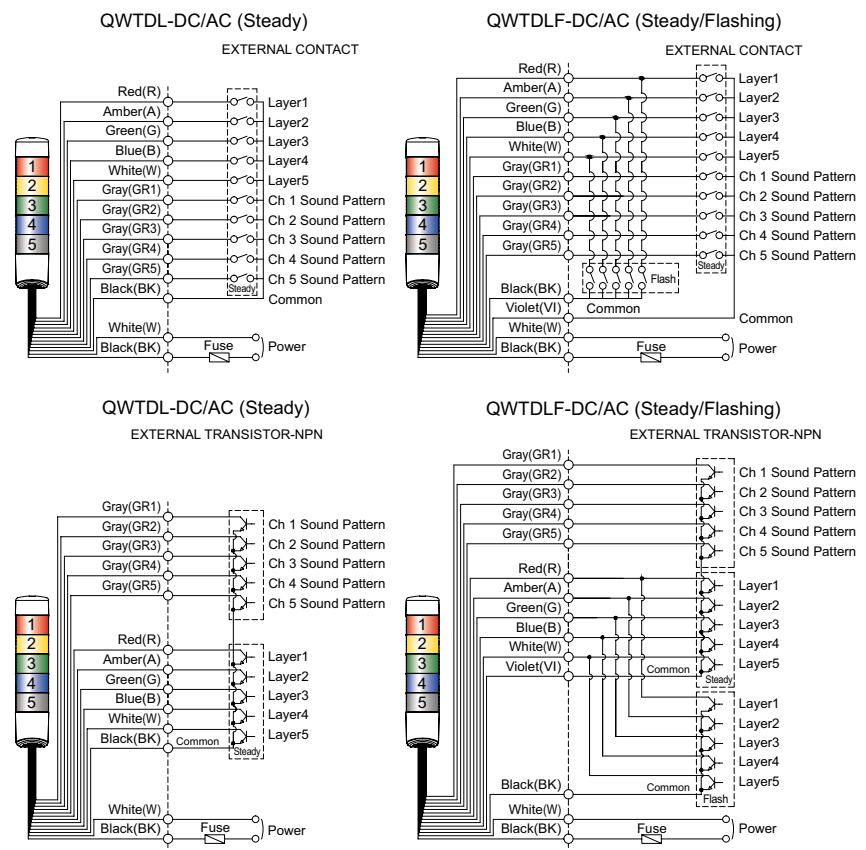


Technical Diagram

(Units : mm)



Wiring Instructions



- Wiring both external power line and transistor
- QWTD allows steady/flash mode by wiring
- External power line standard, UL1015 AWG18(0.75sq)×2C 400mm
- Signal line standard, UL1007 AWG22(0.3sq) 400mm
- Product can be wired regardless of polarity



Customization

- Special color combinations



Ordering Specification

| QWTDL | WS | 3 | 110/220 | RAG |
|---|---|--|---|--|
| [Model number] | [Sounds] | [Layers] | [Voltage] | [Color] |
| <ul style="list-style-type: none"> • QWTDL • QWTDLF | <ul style="list-style-type: none"> • WS-Warning sound • WP-Special warning sound • WM-Melody • WA-Alarm | <ul style="list-style-type: none"> • 1-1Layer • 2-2Layers • 3-3Layers • 4-4Layers • 5-5Layers | <ul style="list-style-type: none"> • 12-DC12V • 24-DC24V • 110/220 • -AC110V-220V | <ul style="list-style-type: none"> • R-Red • A-Amber • G-Green • B-Blue • W-White |



Warning/Signal/Stackable



Signal & Electric Horn/Speakers



Vessels and Heavy-Duty Equipment



Explosion Proof



Warning Light Bar



Aviation Obstruction Lights



Signal Tower Lights



USB/ETN Signal Tower Lights



Electric Horn/Speakers



Industrial LED Lights