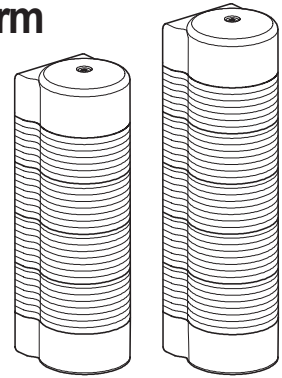


Wall Mount LED Signal Tower with Built-in Audible Alarm

QWT



Thank you for purchasing Qlight's products. Please read this user manual carefully prior to installation and operation to ensure safe and correct use.

⚠️ Precautions for Safety

Failure to follow the instructions below may cause a loss of life or serious physical injury.

1. During wiring or maintenance, please completely turn off the power of the product. (Failure to follow this may lead to an electric shock.)
2. Do not install the product in locations that subjects it to excessive dust or water other than the conditions designated by the IP protection ratings indicated for each product. (Failure to follow these instructions may cause a fire to the product, electric shock, physical injury, malfunction or damage to the product.)
3. Do not alter or repair this product. If maintenance or repair service is required, please contact your local Qlight contact point. (Failure to follow these instructions may lead to fire, electric shock, or product damage.)
4. Please apply the correct voltage to the product. (Failure to follow these instructions may lead to fire, electric shock, or product damage.)
5. When the product is applied to a condition that may impact lives or property, please make sure to have a double safety device. (Failure to follow this may cause damage to property, fire, electric shock and loss of life.)

⚠️ Precautions for Correct Use

Failure to follow the proper instructions may cause damage to property, the product, or malfunction of the product that would void the warranty.

1. Please remove any objects that can interrupt ventilation around the product.
2. Please turn off the power of the product immediately if it fails to operate properly.
3. Carefully wire the product according to each product's specification.
4. Please be careful in preventing chemicals such as thinner, benzene, etc. in contact with the surface of the product.
5. Do not apply excessive force/impact to the product.
6. Failure to follow any of the instructions above may cause malfunction or damage to the product, fire, and electric shock.

Ordering Specification


QWTL	-	3	-	110/220	-	RAG
[Model number]		[Layer]		[Voltage]		[Color]
<ul style="list-style-type: none"> • QWTL • QWTL - BZ • QWTLF • QWTLF - BZ 		<ul style="list-style-type: none"> • 1-1Layer • 2-2Layers • 3-3Layers • 4-4Layers • 5-5Layers 		<ul style="list-style-type: none"> • 12 - DC12V • 24 - DC24V • 110/220 - AC110V-220V 		<ul style="list-style-type: none"> R-Red A-Amber G-Green B-Blue W-White



Please scan the QR code for more detailed product information.

www.qlight.com

Product Specifications

Model number	Layer	Voltage	Current	Certificates	Weight	Color
QWTL Steady type QWTL - BZ Steady type with built-in buzzer QWTLF Steady/Flashing type QWTLF - BZ Steady/Flashing type with built-in buzzer	1	AC/DC12V	0.065A		0.34kg	R-Red
		AC/DC24V	0.050A		0.34kg	
		AC110V-220V	Max. 0.025A		0.36kg	
	2	AC/DC12V	0.130A		0.41kg	R-Red G-Green
		AC/DC24V	0.100A		0.41kg	
		AC110V-220V	Max. 0.050A		0.43kg	
	3	AC/DC12V	0.195A		0.48kg	R-Red A-Amber G-Green
		AC/DC24V	0.150A		0.48kg	
		AC110V-220V	Max. 0.075A		0.50kg	
	4	AC/DC12V	0.260A		0.55kg	R-Red A-Amber G-Green B-Blue
		AC/DC24V	0.200A		0.55kg	
		AC110V-220V	Max. 0.100A		0.57kg	
	5	AC/DC12V	0.325A		0.62kg	R-Red A-Amber G-Green B-Blue W-White
		AC/DC24V	0.250A		0.62kg	
		AC110V-220V	Max. 0.125A		0.64kg	

Current specifications			
Voltage condition	AC/DC12V	AC/DC24V	AC110-220V
Light (Per layer)	0.065A	0.050A	Max 0.025A
Buzzer	0.034A	0.078A	Max 0.016A

- Protection rating : IP54
- Ambient operating temperature : -30°C to +50°C

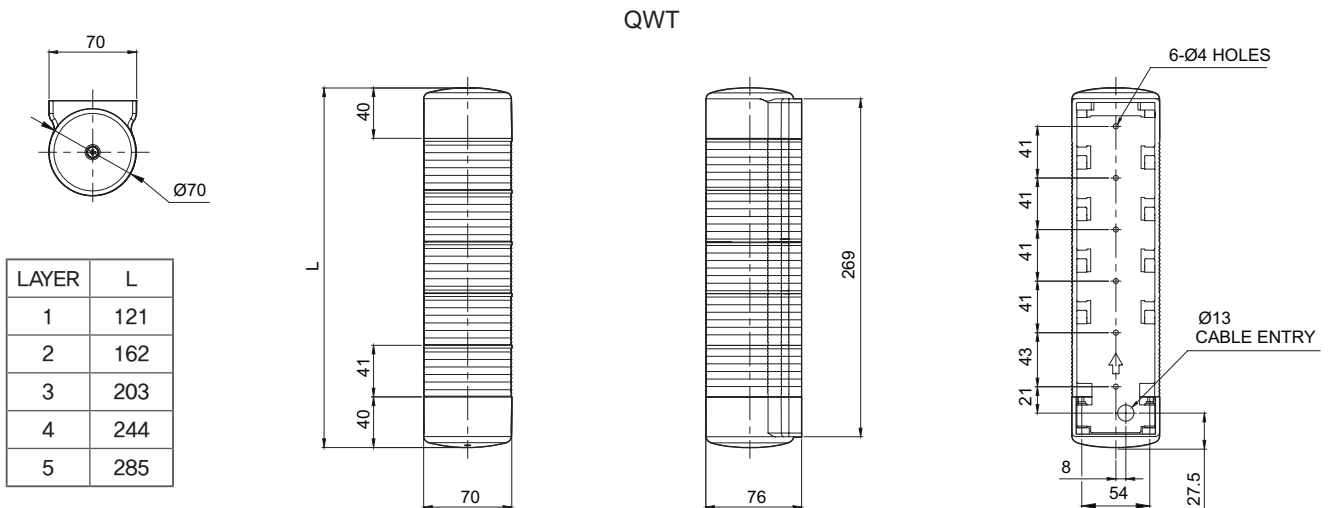
※ AC type model has a free-voltage range of AC100V-240V.

※ CE compliant : DC24V

※ UL listed : DC24V

Dimensions

(Unit : mm)

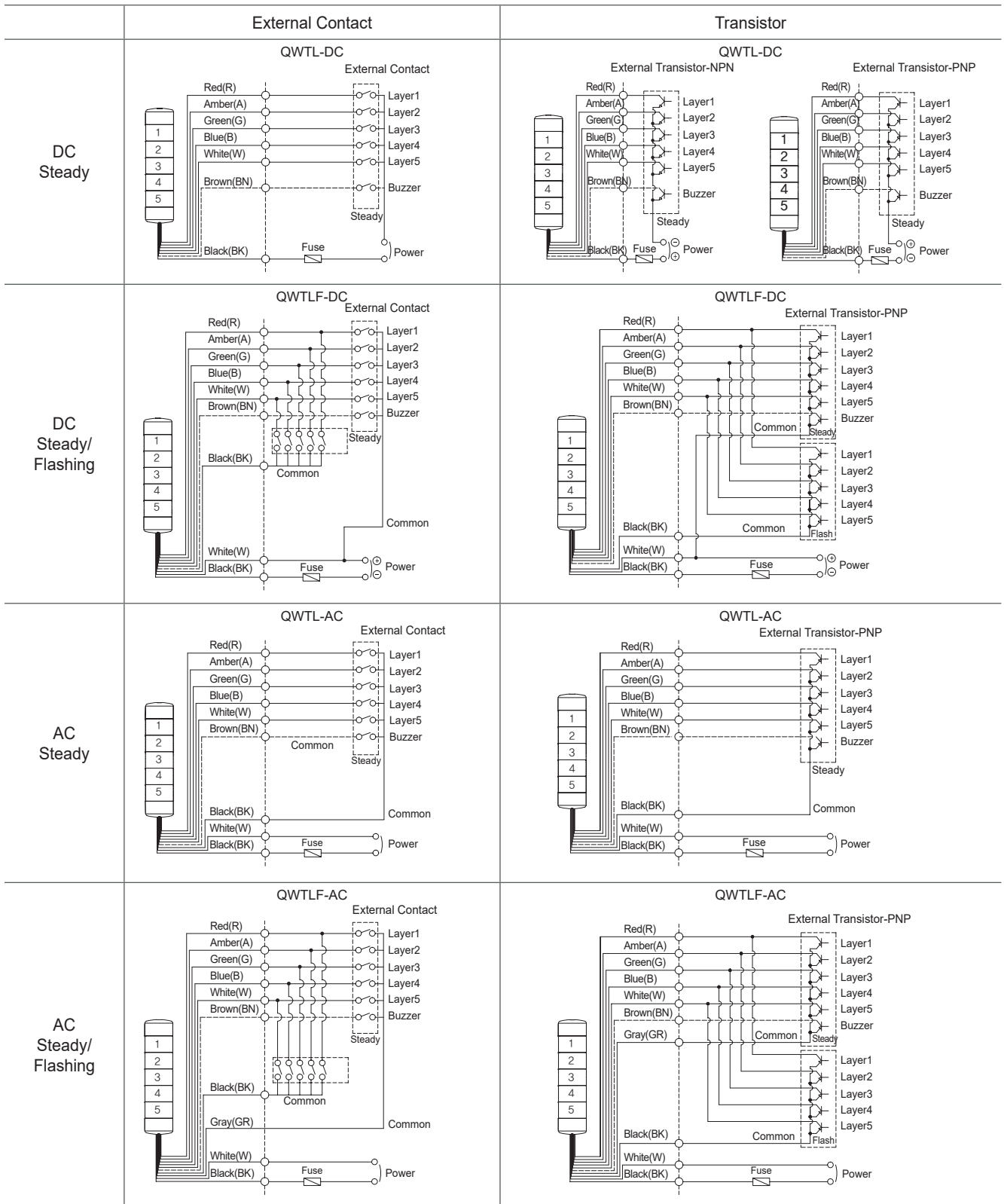


Installation Environment and Protection Rating

- This product is designed for indoor use with an enclosure ingress protection rating of IP54.
- If the product is installed in locations with excessive dust or water other than the designated IP protection rating indicated(IP54), it may cause malfunction or damage to the product.
- For further information, please visit our website(www.qlight.com).

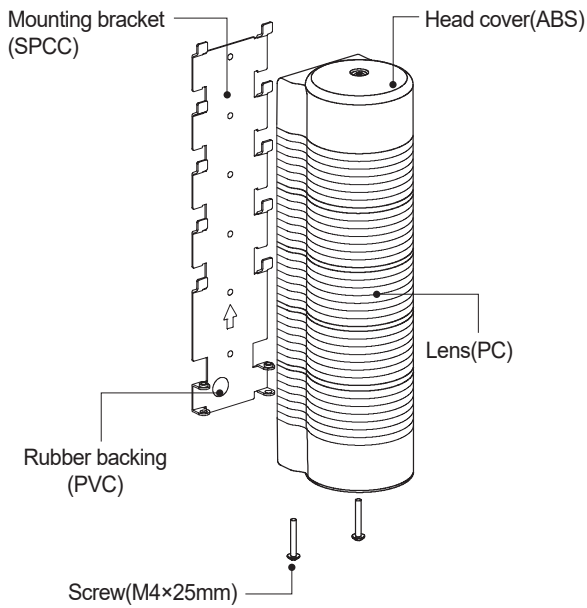
Wiring Instructions

- QWT series can be wired with either an external contact or a transistor.
- When using a transistor, please choose the NPN transistor or PNP transistor which best matches the voltage and product type, then connect them correctly according to the wiring diagram below.

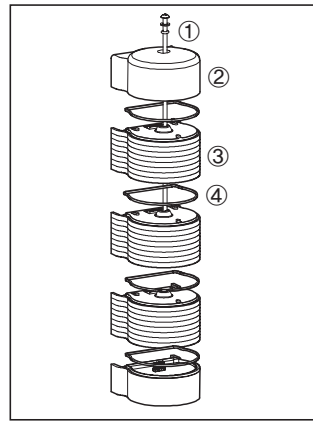


- DC Steady type : External power line/ External signal line - UL1007 AWG22 (0.3sq) 400mm
- AC Steady type, AC/ DC Steady/ Flashing type : External power line - UL1015 AWG18 (0.75sq) x 2C 400mm
External signal line - UL1007 AWG22 (0.3sq) 400mm
- This product can be wired regardless of polarity.

Parts Definition



Replacing/ Rearranging LED Lens Units

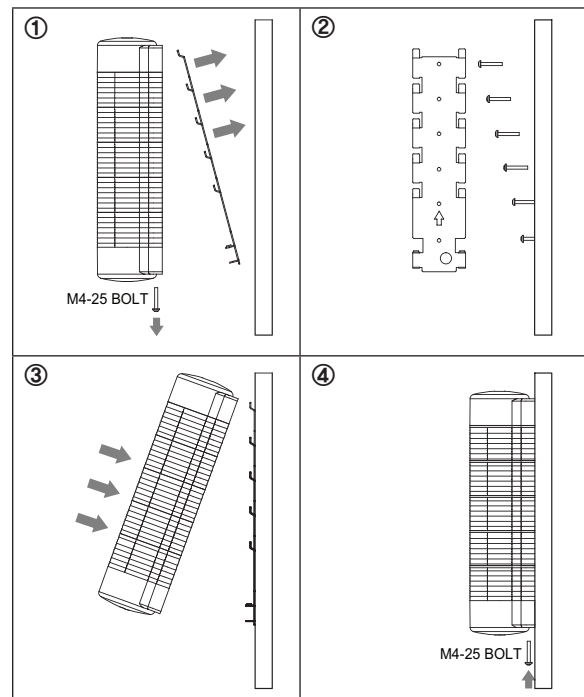
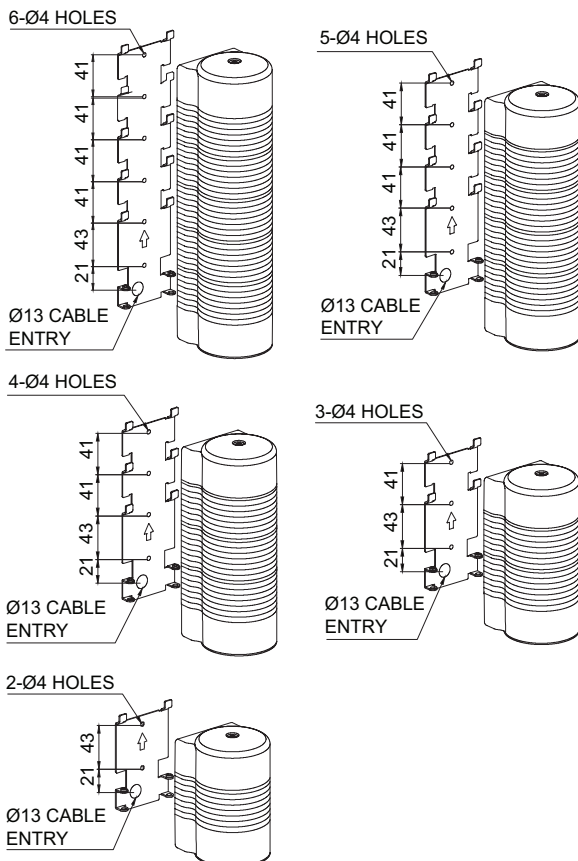


Please ensure the power is off before replacing or rearranging the LED units. Please carefully follow the following instructions.

1. Remove the head cover② by loosening the fixing screw①.
2. Remove the LED unit by pulling it③ upward.
3. Replace or rearrange the LED units.
4. Assemble in the reverse order of removing the LED units, Be careful not to let the rubber ring④ fitted on the top of each unit come off.

Installation

- The mounting bracket needs to be installed on the mounting surface before fixing the product body onto the mounting bracket.
- Drill the proper number of mounting holes in accordance with the number of LED lens units, refer to the installation diagrams below.



- ① Remove the mounting bracket from the product by removing two M4 screws from the speaker unit.
- ② Mount the mounting bracket to the mounting surface.
- ③ Hook the rear of the head cover to the mounting bracket, then push the body against the mounting bracket.
- ④ After tightly attaching the product body to the mounting bracket, tighten the two M4 screws removed in step ① at the bottom of the speaker unit.

Technical Certification

- Qlight products are designed to meet strict quality and technical standards. Thus, the Qlight brand is widely recognized for its high quality and technical innovations from leading institutions around the world.



ISO International Organization for Standardization

Qlight quality assurance systems have been certified by ISO by applying the ISO 9001:2008, KS Q ISO 9001:2009 regulation.



IECEX International Explosion Proof Certification (IECEX)

Certified that Qlight's products are being manufactured and manage according to international standards.



ATEX The European Regulatory Framework or Manufacture, Installation and Use of Equipment in Explosive Atmospheres

Qlight's explosion proof products comply with ATEX Directives 94/9/EC.



NEPSI National Supervision and Inspection Center for Explosion Protection and Safety of Instrumentation

Qlight's design and manufacturing system meets the People's Republic of China National explosion proof Standard. (Chinese Standard-GB3836/GB12476)



KCs Explosion Proof Device Safety Certification System

The safety performance of machines and equipment subject to safety certification and Technical capability and production system have been certified safety certification standards.



TIIS Japan Explosion-proof Certification

TIIS is a Japanes explosion proof test and certification system accordance with the Ministry of Health, Labour and Welfare Notice and the explosion proof guidelines for factory electrical equipment. Qlight's explosion proof products hasve been tested and certified by TIIS.



CCS China Classification Society

Qlight's design and quality assurance system has been certified by the China Classification Society.



RMRS Russian Maritime Register of Shipping

Qlight's design and quality assurance system has been certified from Russian Maritime Register of Shipping.



LR Lloyd's Register

Qlight's design and quality assurance system has been certified from Lloyd's Register.



KR Korean Register of Shipping

Qlight's design and quality assurance system has been certified by the Korean Register of Shipping.



KC Korea Safety Certification

Qlight's products are certified by KC for preventing accident caused by fire.



E-mark Commission Directive Regarding Vehicle Industry

Qlight has obtained EU mark for approved vehicles and vehicle components sold into the EU(EEA : European Economic Area)



ICAO International Civil Aviation Organization

Qlight guarantees our products satisfy the criteria regulated by the International Civil Aviation Organization(ICAO, FAA).



KCC Conformity Assessment of Broadcasting Communication Equipment

Qlight has been certified to protect the electromagnetic environment that causes unwanted electromagnetic waves from the device, communication failure due to other devices or external radio waves, and malfunction of the device.



UL Underwriters Laboratories

Qlight's design and quality assurance system has been certified from UL to ensure the stability of consumption goods and to protect consumers.



CCCF China Certification Center for Security & Protection

Qlight has passed the rigorous examination process of "Passing Fire Protection Products Centering" In order to sell fire-fighting products such as fire alarm equipment to Chinese market.



CCC China Compulsory Certificate

Qlight's has obtained CCC which guarantees safety, protection against fraud, environment, etc.



CE European Commission

Qlight has been certified by the European Commission.



RoHS2 Restriction of Hazardous Substances Directive

Qlight c omplies with the Restriction of Hazardous Substances Directive by limiting its use of hazardous materials.



For your safety

Specification and dimensions listed in this catalogue subject to change without notice for product quality improvement.
The newest product information is available on our website.(www.qlight.com)
Please read the instruction manual attached to the product carefully before installation and use.

Qlight Co., Ltd. www.qlight.com | trade@qlight.com

Head Office | Suite #1510, STX-V Tower, 128 Gasan digital 1-ro, Geumcheon-gu, Seoul, Korea

Tel. +82-2-2679-6152(Toll free. +82-80-328-2222) Fax. +82-2-2679-6154

Factory | 185-25, Mukbang-ro, Sangdong-myeon, Gimhae-si, Gyeongsangnamdo, Korea Tel. +82-55-328-1111(Toll free. +82-80-328-1111)

Qlight OverSEAs Sales Dept | 704 Nakdong-daero, Sasang-gu, Busan, Korea(Eomgung-Dong) Tel : +82-51-620-4100

Qlight Public Relations & Marketing Team Office | 704 Nakdong-daero, Sasang-gu, Busan, Korea(Eomgung-Dong) Tel. +82-51-245-0017

Qlight USA, Inc. www.qlight.com www.qlightusa.com | sales@qlightusa.com

3003 North First Street, Suite #341, San Jose, CA 95134 USA Tel. +1-408-519-5740 Fax. +1-408-519-5739

SHANGHAI Qlight Electronic Co., Ltd. www.qlight.com www.qlightcn.com | qlightcn@qlight.com

China Factory/ Shanghai Sales Office | #19, Nanda Road, Baoshan Area, Shanghai, China Tel. +86-21-6651-7100 Fax. +86-21-6315-3929

China Factory Site 2 (Qidong) | #33, Haiyan Road, Qidong High-tech Industrial Development Zone, Qidong, Jiangsu Province, China

Tel +86-513-8384-9999 Fax +86-513-8384-9910

Qlightec

Innovation in Alarm & Signal

Product Operation Inquiry / Customer Support +82-51-620-4100

You can expect prompt service if you have exact information such as model name, symptom, telephone number and address.

※ ALL PRODUCT, PRODUCT SPECIFICATIONS AND DATA ARE SUBJECT TO CHANGE WITHOUT NOTICE TO IMPROVE RELIABILITY, FUNCTION OR DESIGN OR OTHERWISE.

Head office : Suite #1510, STX-V Tower, 128 Gasan digital 1-ro, Geumcheon-gu, Seoul, Korea (Postal Code : 08507)

Factory : 185-25, Mukbang-Ro, Sangdong-Myeon, Gimhae-Si, Gyeongsangnam-Do, Korea (Postal Code : 50805)

www.qlight.com

EN - QWT - 2106A