

QWCD series

LED Strobe Signal Light and Electric Horn Combinations

A new concept of using the horn cover as a light globe

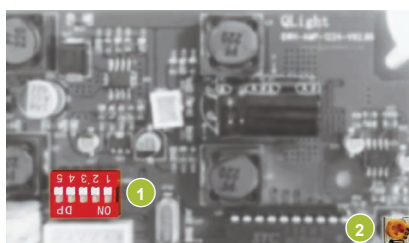


QWCD series is an integrated horn and light globe.

QWCD series	
QWCD35(T)	Built-in standard sound
QWCD35(T)SD	MP3(SD Card)
QWCD50	Built-in standard sound, large output sound
QWCD50SD	SD Card(MP3), Large output sound

- By using the horn cover as a light globe, the size of the product has been reduced significantly
- The color of light can be selected from red, yellow, green, or blue
- Product has two models : the basic model with 31 built-in sounds, and an external sound (MP3) type model
- Includes seven different playback functions; one function is the continuous playback function which provides constant message notification
- There are 31 built-in sounds that can be played in various environments, and supports a Binary input method
- You can save and play up to 31 mp3 files using a external SD Card
- Can easily set up the sounds using a PC
- By making the horn cover with polycarbonate (PC) material, The product has excellent durability and weather resistance
- Can be used for heavy-duty, ship, or outdoor use which requires waterproof, dustproof structure (IP66)

Built-in sound type



- 1 Sound selection switch
- 2 Volume

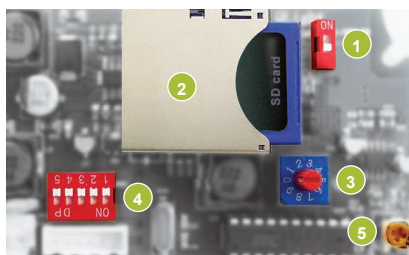
The input method of built-in sound type

	1	2	3	4	5
No.	1	2	3	4	5
0	0	0	0	0	0
1	0	0	0	0	1
2	0	0	0	1	0
:	:	:	:	:	:
31	1	1	1	1	1

Built-in sound type model supports Binary input mode which provides a selection of 31 different input combinations for five kinds of sounds.

You can only select 2 numbers with 1 switch; "0", "1". With 5 switches you can have 31 combinations. Selecting one sound from 5 switches is the Binary input method.

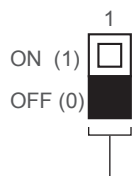
SD Card(MP3) type



- 1 Sound setting switch
- 2 MP3 playable SD Card
- 3 Play mode setting switch
- 4 Sound select switch
- 5 Volume

The sound selection method of SD Card type

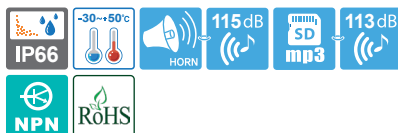
Can easily select built-in sound or external sound(MP3) by using the sound selection switch.



The sound selection
 0 : Select built-in sound
 1 : Select SD Card

- 31 built-in special warning sounds
- Supports SD Card (MP3)
- Binary Input : 31Ch
- Bit Input : 5Ch (SD Card only)
- A multifunctional product that can play MP3 files using an SD Card
- Please refer to page 138 for detailed settings
- Built-in sound is set to #1 as default

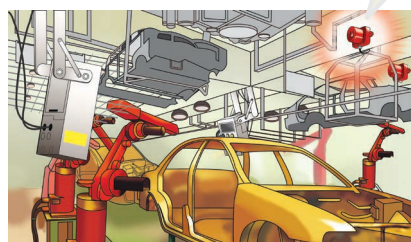
QWCD series



- Qlight's exclusive innovative design - the horn cover emits light!
- Combination of 31 sound options built in and SD Card(MP3) option



QWCD35 series



QWCD35 model applied in an automobile production plant environment.

LED Strobe Signal Light and Electric Horn Combinations

Common Specifications(QWCD35/ QWCD35SD/ QWCD50/ QWCD50SD)

- Easy device customization with built in sound selection function, volume adjustment function and an SD Card slot for user inputted tones
- 31 available tones that can be selected for a variety of environments
- The user can select their own tones by inputting the MP3 file directly into the SD Card
- 31 pre-recorded tones available via binary input
- Suitable for use in environments that require a tight seal and superior dust protection rated IP66
- Easy wiring through external terminal box (QWCD35T, QWCD35TSD, QWCD50T, QWCD50TSD)
- Flashing rate : 60-80 flashes/min
- Materials : Horn-PC, Body-PC+ABS
- Ambient operating temperature : -50°C to +60°C(Standard type)
-20°C to +50°C(SD Card type)
- Protection Rating : IP66
- Certificates : CE Compliant, UL Listed, CCS
- Compliant with RoHS directive

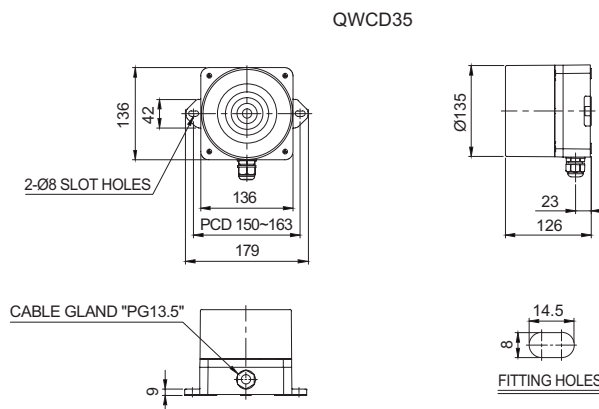
QWCD35 LED Strobe Signal Light and Electric Horn Combination

Model number	Voltage	Current	Sound Pattern and Volume	Certificates	Weight	Color
QWCD35 Built-in standard sound	DC12V-24V	Max. 1.300A	• Bit Input : 5Ch (SD Card) • Binary Input : 31Ch	 DC only	1.10kg	• R-Red • A-Amber • G-Green • B-Blue
	AC110V-220V	Max. 0.350A				
QWCD35SD MP3	DC12V-24V	Max. 1.200A	• Warning Sounds: 115dB • MP3 Messages : 113dB	 DC only	1.15kg	• R-Red • A-Amber • G-Green • B-Blue
	AC110V-220V	Max. 0.310A				

- ※ DC type model has a free-voltage range of 10V-30V.
- ※ AC type model has a free-voltage range of 100V-240V.

Technical Diagram

(Units : mm)



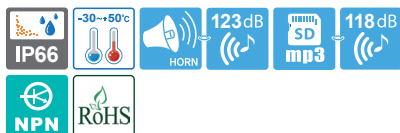
QWCD50 LED Strobe Light and Electric Horn Combination

Model number	Voltage	Current	Sound Pattern and Volume	Certificates	Weight	Color
QWCD50 Built-in standard sound	DC12V-24V	Max. 4.700A	• Bit Input : 5Ch (SD Card) • Binary Input : 31Ch	 DC only	2.70kg	• R-Red • A-Amber • G-Green • B-Blue
	AC110V-220V	Max. 0.800A				
QWCD50SD MP3	DC12V-24V	Max. 3.300A	• Warning Sounds: 123dB • MP3 Messages : 118dB	 DC only	3.00kg	• R-Red • A-Amber • G-Green • B-Blue
	AC110V-220V	Max. 0.650A				

- ※ DC type model has a free-voltage range of 10V-30V.
- ※ AC type model has a free-voltage range of 100V-240V.

QWCD series

LED Strobe Signal Light and Electric Horn Combinations

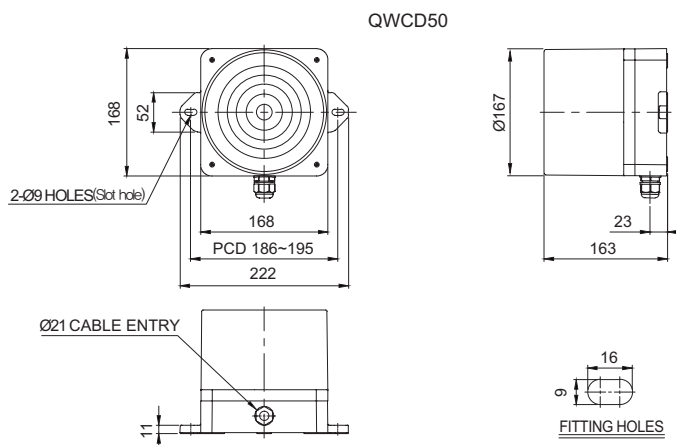


- Qlight's exclusive innovative design - the horn cover emits light!
- Combination of 31 sound options built in and SD Card(MP3) option



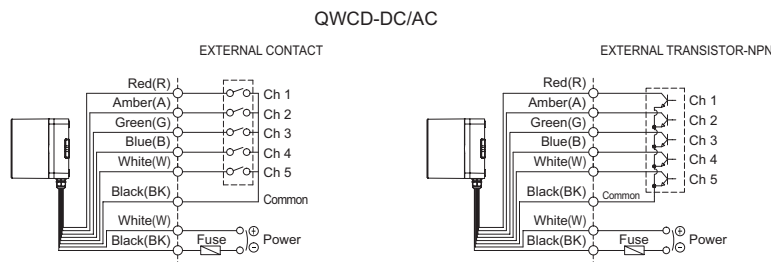
QWCD50 series

Technical Diagram (Units : mm)



Wiring Instructions

- Standard specification : Uses internal switches
- Customization : Uses external contact



- Wiring to external contact and transistor
- Wiring to transistor, use the NPN transistor
- Power line standard UL1015 AWG18(0.75sq)×2C 400mm
- Signal line standard UL1007 AWG22(0.3sq) 400mm
- DC type : Black output line is negative(-)
- Channel selection : Bit input, 5 sound tones for each group
- Binary input 31 sound tones output

* Please refer to Page 138 for set of channel input.
(If wiring is changed by channel selection switch)

Customization

- External sound selection line(Model number : -LC)

Ordering Specification

QWCD50	-	110/220	-	R	-	LC
[Model number]		[Voltage]		[Color]		[sound selection]
<ul style="list-style-type: none"> • QWCD50 • QWCD50SD 		<ul style="list-style-type: none"> • 12/24 • -DC12V-24V • 110/220 • -AC110V-220V 		<ul style="list-style-type: none"> • R-Red • A-Amber • G-Green • B-Blue 		<ul style="list-style-type: none"> • (Blank) • -Standard type • LC Type • -Uses external contact

QWCD series

LED Strobe Signal Light and Electric Horn Combinations

A new concept of using the horn cover as a light globe

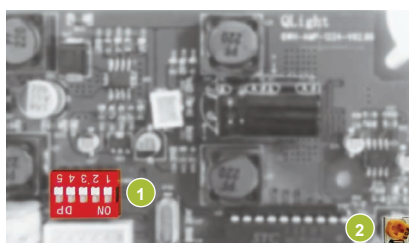


QWCD series is an integrated horn and light globe.

QWCD series	
QWCD35(T)	Built-in standard sound
QWCD35(T)SD	MP3(SD Card)
QWCD50	Built-in standard sound, large output sound
QWCD50SD	SD Card(MP3), Large output sound

- By using the horn cover as a light globe, the size of the product has been reduced significantly
- The color of light can be selected from red, yellow, green, or blue
- Product has two models : the basic model with 31 built-in sounds, and an external sound (MP3) type model
- Includes seven different playback functions; one function is the continuous playback function which provides constant message notification
- There are 31 built-in sounds that can be played in various environments, and supports a Binary input method
- You can save and play up to 31 mp3 files using a external SD Card
- Can easily set up the sounds using a PC
- By making the horn cover with polycarbonate (PC) material, The product has excellent durability and weather resistance
- Can be used for heavy-duty, ship, or outdoor use which requires waterproof, dustproof structure (IP66)

Built-in sound type



- 1 Sound selection switch
- 2 Volume

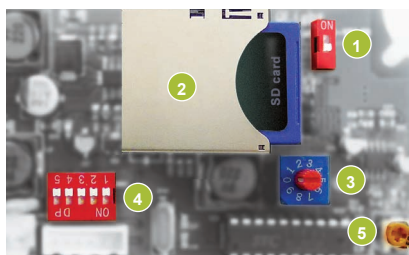
The input method of built-in sound type

	1	2	3	4	5
No.	1	2	3	4	5
0	0	0	0	0	0
1	0	0	0	0	1
2	0	0	0	1	0
:	:	:	:	:	:
31	1	1	1	1	1

Built-in sound type model supports Binary input mode which provides a selection of 31 different input combinations for five kinds of sounds.

You can only select 2 numbers with 1 switch; "0", "1". With 5 switches you can have 31 combinations. Selecting one sound from 5 switches is the Binary input method.

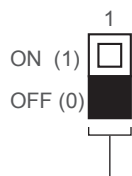
SD Card(MP3) type



- 1 Sound setting switch
- 2 MP3 playable SD Card
- 3 Play mode setting switch
- 4 Sound select switch
- 5 Volume

The sound selection method of SD Card type

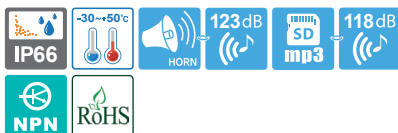
Can easily select built-in sound or external sound(MP3) by using the sound selection switch.



The sound selection
 0 : Select built-in sound
 1 : Select SD Card

- 31 built-in special warning sounds
- Supports SD Card (MP3)
- Binary Input : 31Ch
- Bit Input : 5Ch (SD Card only)
- A multifunctional product that can play MP3 files using an SD Card
- Please refer to page 138 for detailed settings
- Built-in sound is set to #1 as default

QWCD series



- Qlight's exclusive innovative design - the horn cover emits light!
- Combination of 31 sound options built in and SD Card (MP3) option
- Allows for easy wiring with terminal box and 2 cable gland equipped



QWCD35T series

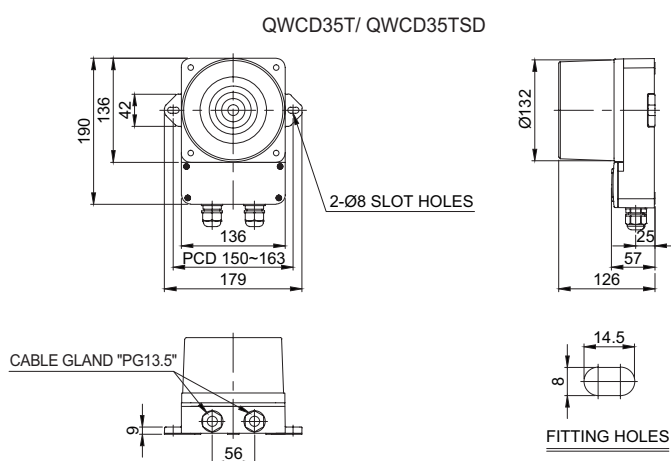
LED Strobe Signal Light and Electric Horn Combinations

QWCD35T Terminal Box Equipped LED Strobe Signal Light and Electric Sounder Combinations

Model number	Voltage	Current	Sound Pattern and Volume	Certificates	Weight	Color
QWCD35T Terminal box equipped type Built-in sound type	DC12V-24V	Max. 1.300A	<ul style="list-style-type: none"> • Bit Input : 5Ch (SD Card) • Binary Input : 31Ch • Warning Sounds: 115dB • MP3 Messages : 113dB 	CE	1.30kg	<ul style="list-style-type: none"> • R-Red • A-Amber • G-Green • B-Blue
	AC110V-220V	Max. 0.350A				
QWCD35TSD Terminal box equipped type MP3	DC12V-24V	Max. 1.200A	<ul style="list-style-type: none"> • Bit Input : 5Ch (SD Card) • Binary Input : 31Ch • Warning Sounds: 115dB • MP3 Messages : 113dB 	CE	1.35kg	<ul style="list-style-type: none"> • R-Red • A-Amber • G-Green • B-Blue
	AC110V-220V	Max. 0.310A				

※ DC type model has a free-voltage range of 10V-30V.
 ※ AC type model has a free-voltage range of 100V-240V.

Technical Diagram (Units : mm)

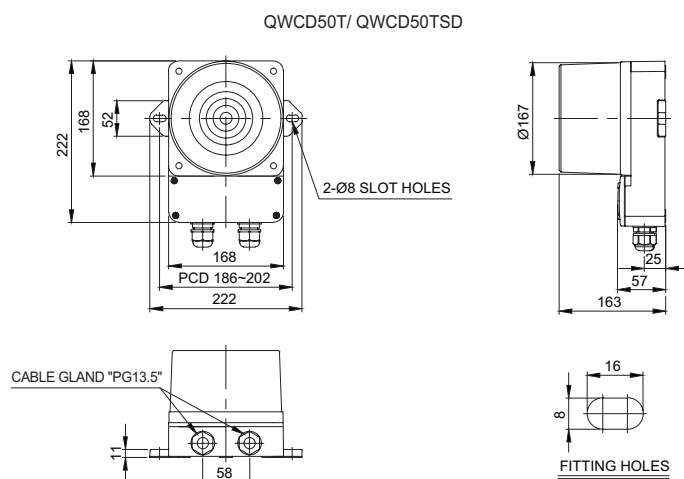


QWCD50T Terminal Box Equipped LED Strobe Signal Light and Electric Sounder Combinations

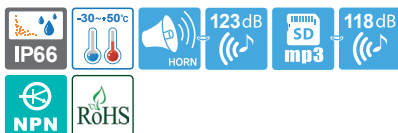
Model number	Voltage	Current	Sound Pattern and Volume	Certificates	Weight	Color
QWCD50T Terminal box equipped type Built-in sound type	DC12V-24V	Max. 4.700A	<ul style="list-style-type: none"> • Bit Input : 5Ch (SD Card) • Binary Input : 31Ch • Warning Sounds: 123dB • MP3 Messages : 118dB 	CE	3.10kg	<ul style="list-style-type: none"> • R-Red • A-Amber • G-Green • B-Blue
	AC110V-220V	Max. 0.800A				
QWCD50TSD Terminal box equipped type MP3	DC12V-24V	Max. 3.300A	<ul style="list-style-type: none"> • Bit Input : 5Ch (SD Card) • Binary Input : 31Ch • Warning Sounds: 123dB • MP3 Messages : 118dB 	CE	3.40kg	<ul style="list-style-type: none"> • R-Red • A-Amber • G-Green • B-Blue
	AC110V-220V	Max. 0.650A				

※ DC type model has a free-voltage range of 10V-30V.
 ※ AC type model has a free-voltage range of 100V-240V.

Technical Diagram (Units : mm)



QWCD series



- Qlight's exclusive innovative design - the horn cover emits light!
- Combination of 31 sound options built in and SD Card (MP3) option
- Allows for easy wiring with terminal box and 2 cable gland equipped



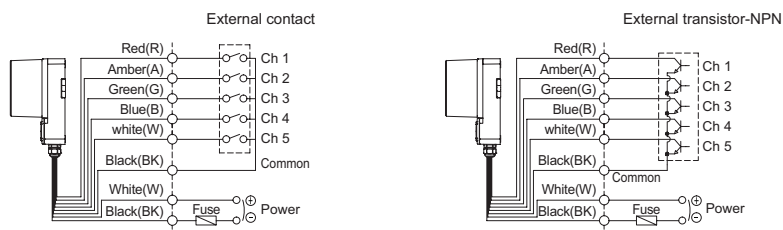
QWCD50T series

LED Strobe Signal Light and Electric Horn Combinations

Wiring Instructions

- Standard specification : Uses internal switches
- Customization : Uses external contact

QWCD35T-DC/AC



- Wiring to external contact and transistor
 - Wiring to transistor, use the NPN transistor
 - Power line standard UL1015 AWG18(0.75sq)×2C 400mm
 - Signal line standard UL1007 AWG22(0.3sq) 400mm
 - DC type : Black output line is negative(-)
 - Channel selection : Bit input, 5 sound tones for each group
 - Binary input 31 sound tones output
- * Please refer to Page 138 for set of channel input (If wiring is changed by channel selection switch).

Customization

- External sound selection line (Model number : -LC)

Ordering Specification

QWCD50T	110/220	R	LC
[Model number]	[Voltage]	[Color]	[sound selection]
<ul style="list-style-type: none"> • QWCD50T • QWCD50TSD 	<ul style="list-style-type: none"> • 12/24 • -DC12V-24V • 110/220 • -AC110V-220V 	<ul style="list-style-type: none"> • R-Red • A-Amber • G-Green • B-Blue 	<ul style="list-style-type: none"> • (Blank) • -Standard type • LC Type • -Uses external contact