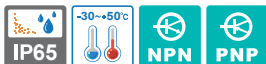


QT50ML

Ø50mm Modular LED Tower Lights



QT50ML

Color Options:

Beige color is available



QT50ML Ø50mm Modular LED Tower Lights, Direct Mount

Product that consist of signal lights module, base module



Specifications

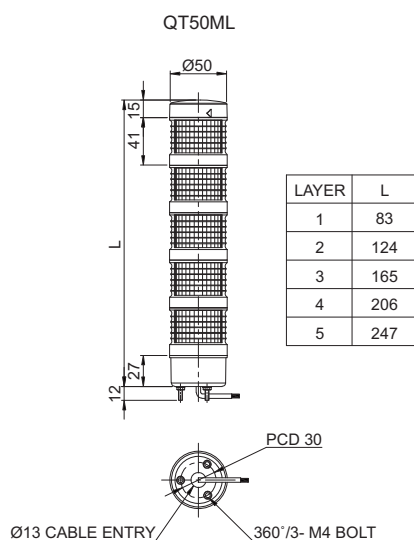
Model number	Layer	Voltage	Current	Certificates	Weight	Color
QT50ML QT50MLF	1	DC12V	0.090A	CE DC24V, AC220V only	0.10kg	● R-Red
		DC24V	0.050A		0.10kg	
	2	AC110V	0.020A		0.11kg	● R-Red ● G-Green
		AC220V	0.020A		0.11kg	
		DC12V	0.180A		0.14kg	
		DC24V	0.100A		0.14kg	
	3	AC110V	0.040A		0.15kg	● R-Red ● A-Amber ● G-Green
		AC220V	0.040A		0.15kg	
	4	DC12V	0.270A		0.19kg	● R-Red ● A-Amber ● G-Green
		DC24V	0.150A		0.19kg	
5	AC110V	0.060A	0.20kg	● R-Red ● A-Amber ● G-Green ● B-Blue		
	AC220V	0.060A	0.20kg			
5	DC12V	0.360A	0.23kg	● R-Red ● A-Amber ● G-Green ● B-Blue		
	DC24V	0.200A	0.23kg			
5	AC110V	0.080A	0.24kg	● R-Red ● A-Amber ● G-Green ● B-Blue		
	AC220V	0.080A	0.24kg			
5	DC12V	0.450A	0.27kg	● R-Red ● A-Amber ● G-Green ● B-Blue ● W-White		
	DC24V	0.250A	0.27kg			
5	AC110V	0.100A	0.28kg	● R-Red ● A-Amber ● G-Green ● B-Blue ● W-White		
	AC220V	0.100A	0.28kg			

QT50L Steady Module + Base Module(BS)
 QT50LF Steady/Flashing Module

* Please refer to page 338-341 for detailed specification of module.



Technical Diagram (Units : mm)



Wiring Instructions

• LED tower light can be wired with external contact and transistor

* Please refer to page 358 for detailed information about the wiring instructions.



Customization

- Beige color
- LED strobe(Model number: QT50MLS)
- LED simulated revolving(Model number : QT50MLR)
- Wall mount bracket :

Bracket Structure allows for threading through the bracket hole or into the wall mount



Ordering Specification

QT50ML	-	3	-	220	-	RAG
[Model number]		[Layer]		[Voltage]		[Color]
• QT50ML • QT50MLF		• 1-1Layer • 2-2Layers • 3-3Layers • 4-4Layers • 5-5Layers		• 12-DC12V • 24-DC24V • 110-AC110V • 220-AC220V		● R-Red ● A-Amber ● G-Green ● B-Blue ● W-White