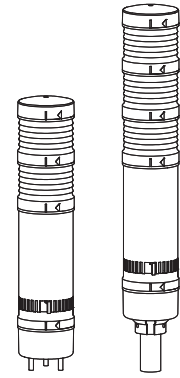


# USB LED Tower Lights

## QT50(M)L/ QT70(M)L-USB



Thank you for purchasing Qlight's products. Please read this user manual carefully prior to installation and operation to ensure safe and correct use.

### ⚠ Precautions for Safety

Failure to follow the instructions below may cause a loss of life or serious physical injury.

1. During wiring or maintenance, please completely turn off the power of the product. (Failure to follow this may lead to an electric shock.)
2. Do not install the product in locations that subjects it to excessive dust or water other than the conditions designated by the IP protection ratings indicated for each product. (Failure to follow these instructions may cause a fire to the product, electric shock, physical injury, malfunction or damage to the product.)
3. Do not alter or repair this product. If maintenance or repair service is required, please contact your local Qlight contact point. (Failure to follow these instructions may lead to fire, electric shock, or product damage.)
4. Please apply the correct voltage to the product. (Failure to follow these instructions may lead to fire, electric shock, or product damage.)
5. When the product is applied to a condition that may impact lives or property, please make sure to have a double safety device. (Failure to follow this may cause damage to property, fire, electric shock and loss of life.)

### ⚠ Precautions for Correct Use

Failure to follow the proper instructions may cause damage to property, the product, or malfunction of the product that would void the warranty.

1. Please remove any objects that can interrupt ventilation around the product.
2. Please turn off the power of the product immediately if it fails to operate properly.
3. Carefully wire the product according to each product's specification.
4. Please be careful in preventing chemicals such as thinner, benzene, etc. in contact with the surface of the product.
5. Do not apply excessive force/impact to the product.
6. Failure to follow any of the instructions above may cause malfunction or damage to the product, fire, and electric shock.

### Ordering Specifications

#### • QT50(M)L-USB

QT50L-USB-BZ	3	RAG	QZ18
[Model number]	[Layer]	[Color]	[Mount bracket]
• QT50L-USB-BZ	• Layer1-1	R-Red	• (Blank)
• QT50L-USB-WS	• Layer2-2	A-Amber	- Standard type
• QT50L-USB-WM	• Layer3-3	G-Green	• Mounting type
• QT50L-USB-WA	• Layer4-4	B-Blue	- LB18 - LW18
• QT50ML-USB-BZ	• Layer5-5	W-White	- QZ18 - SZ18
• QT50ML-USB-WS			- QL18 - SL18
• QT50ML-USB-WM			- QL18 - SL18
• QT50ML-USB-WA			- QL18 - SL18

#### • QT70(M)L-USB

QT70L-USB-BZ	3	RAG	QZ24
[Model number]	[Layer]	[Color]	[Mount bracket]
• QT70L-USB-BZ	• Layer1-1	R-Red	• (Blank)
• QT70L-USB-WS	• Layer2-2	A-Amber	- Standard type
• QT70L-USB-WM	• Layer3-3	G-Green	• Mounting type
• QT70L-USB-WA	• Layer4-4	B-Blue	- LB24 - LW24
• QT70ML-USB-BZ	• Layer5-5	W-White	- QZ24 - SZ24
• QT70ML-USB-WS			- QL24 - SL24
• QT70ML-USB-WM			- QL24 - SL24
• QT70ML-USB-WA			- QL24 - SL24



Please scan the QR code for more detailed product information.

[www.qlight.com](http://www.qlight.com)

# Product Specifications

## • QT50(M)L-USB

Model number	Layer	Certificate	Color
QT50L-USB-BZ QT50L-USB-WS QT50L-USB-WM QT50L-USB-WA	5 Buzzer sounds 5 Warning sounds 5 Melodies 5 Alarms	CE	Layer1 :R-Red Layer2: R-Red G-Green Layer3: R-Red A-Amber G-Green
QT50ML-USB-BZ QT50ML-USB-WS QT50ML-USB-WM QT50ML-USB-WA	5 Buzzer sounds 5 Warning sounds 5 Melodies 5 Alarms		Layer4 : R-Red A-Amber G-Green B-Blue Layer5: R-Red A-Amber G-Green B-Blue W-White

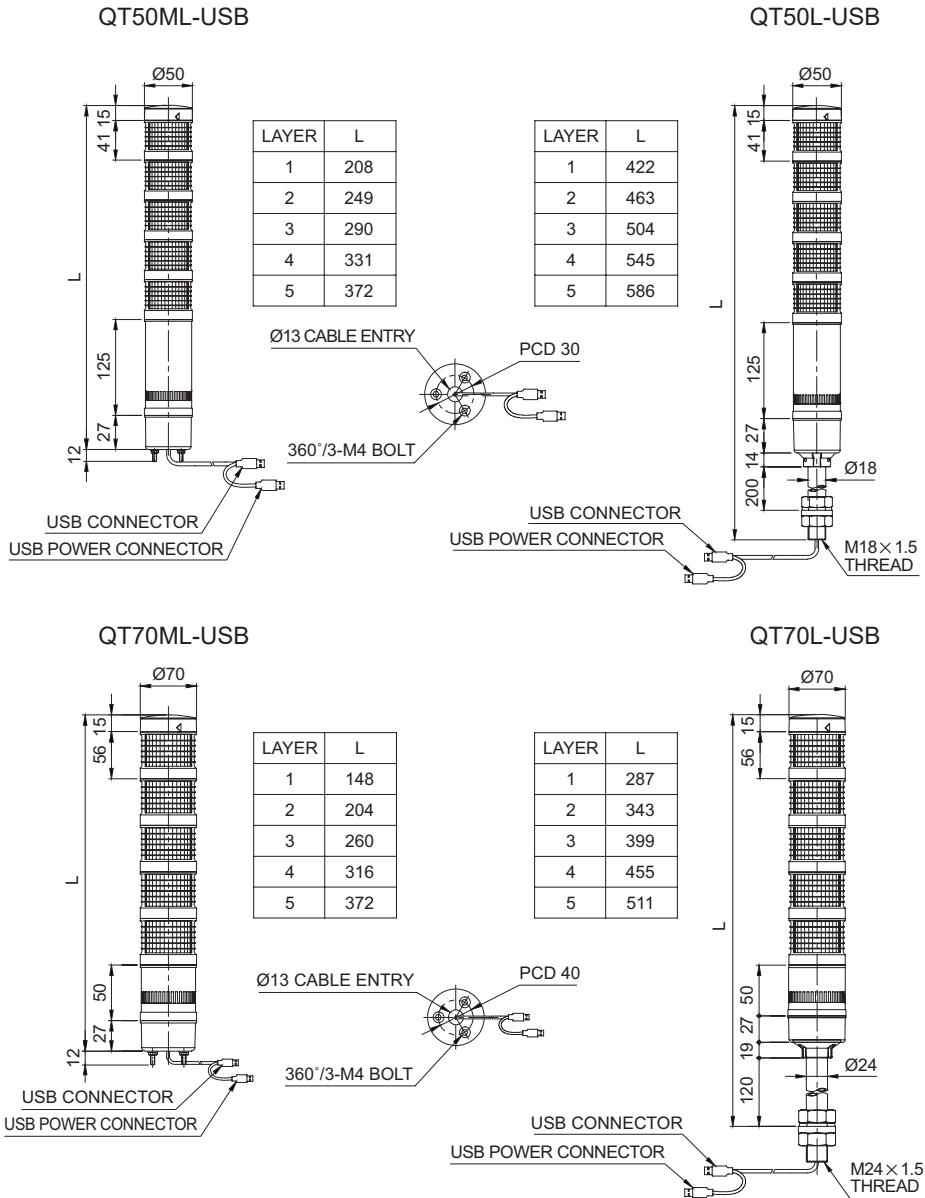
## • QT70(M)L-USB

Model number	Layer	Certificate	Color
QT70L-USB-BZ QT70L-USB-WS QT70L-USB-WM QT70L-USB-WA	5 Buzzer sounds 5 Warning sounds 5 Melodies 5 Alarms	CE	Layer1 :R-Red Layer2: R-Red G-Green Layer3: R-Red A-Amber G-Green
QT70ML-USB-BZ QT70ML-USB-WS QT70ML-USB-WM QT70ML-USB-WA	5 Buzzer sounds 5 Warning sounds 5 Melodies 5 Alarms		Layer4 : R-Red A-Amber G-Green B-Blue Layer5: R-Red A-Amber G-Green B-Blue W-White

- Protection rating : IP54
- Ambient operating temperature : -30°C to + 50°C

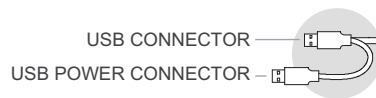
# Dimensions

(Units : mm)



## USB Cable Wiring Instructions

- Connect both USB power connector and USB signal control connector that are connected to each other to USB ports of a PC.

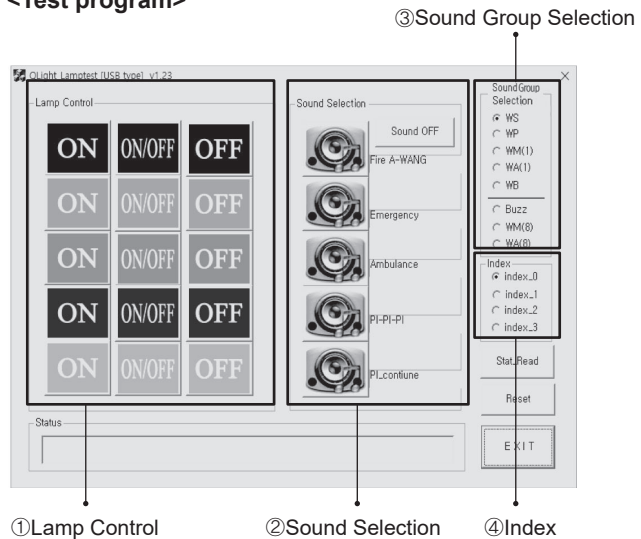


## Test Instructions

### <For Connecting Method with pc>



### <Test program>



1. Please connect USB Tower Lamp and PC as above figure <How to connect with PC>
2. Please download test program(USB.zip) from Qlight website or blog.qlight.com
3. The downloaded sample program will be saved as "USB Test Program.zip".  
When you unzip the file, there will be a file with the names below.

QLight\_Lamptest\_USB.exe

QUvc\_dll.dll

Test program

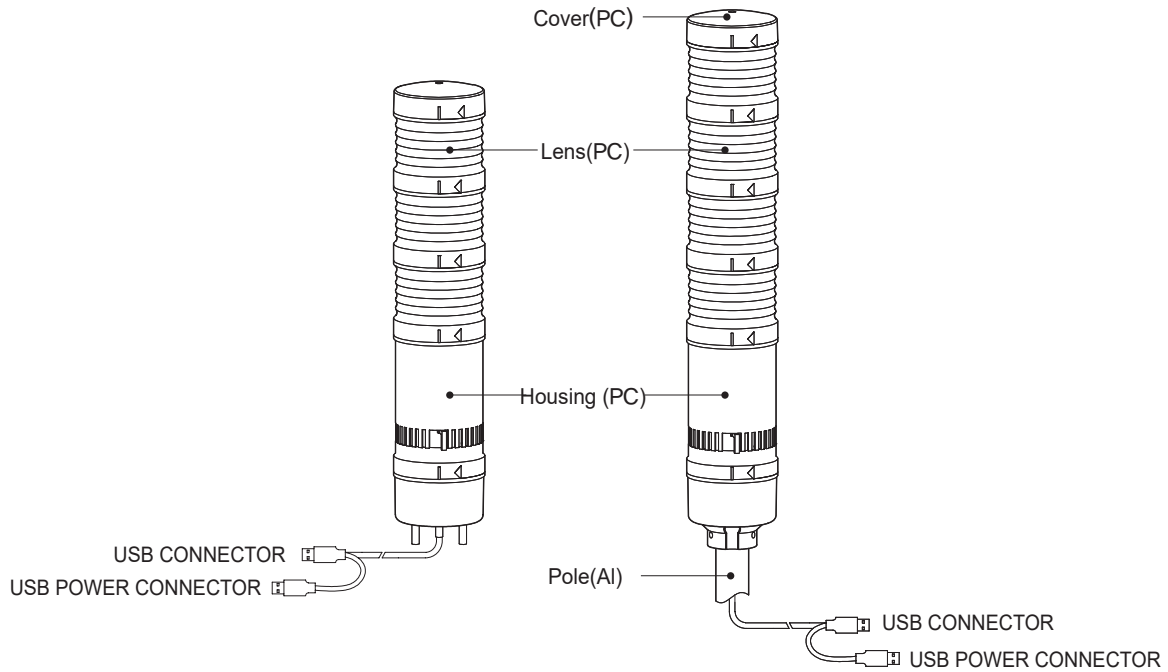
Required library for test program

- \* When developing the program, please download and refer to the file "manual and library"(sample programs and manuals for developers).
4. When you run the "QLight lamptest\_usb.exe"file, a test programs will show up as above.  
Products sound options are classified as WS / WA / WM / BZ. The product will only play the sound option selected when the order was placed.

### ■ How to use program

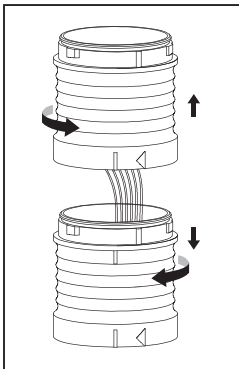
Article	Detailed specification
① Lamp control	<ul style="list-style-type: none"> <li>- ON: Lamp turns on when the button is clicked</li> <li>- ON/OFF: Lamp flashes when the button is clicked</li> <li>- OFF: Lamp turns off when the button is clicked</li> </ul>
② Sound selection	<ul style="list-style-type: none"> <li>- 1ch-5ch: Has 5 sounds per model, turns on the chosen sound</li> <li>- Click "Sound off" button to turn off the sound</li> </ul>
③ Sound group selection	<ul style="list-style-type: none"> <li>- WS : 5 warning sounds(mono)</li> <li>- WP : 5 special warning sounds(mono)</li> <li>- WM(1) : 5 Melodies(mono)</li> <li>- WA(1) : 5 alarms(mono)</li> <li>- WB : Software Buzzer 5 sounds(speaker type)</li> <li>- Buzzer : 5 Buzzer sounds</li> </ul>
④ Index	<ul style="list-style-type: none"> <li>- You can connect up to a maximum of 4 USB Tower lights per PC</li> <li>- Must be controlled by selecting Index0 - Index3 for controlling the USB tower light. The default is set to Index0</li> </ul>

## Parts Definition

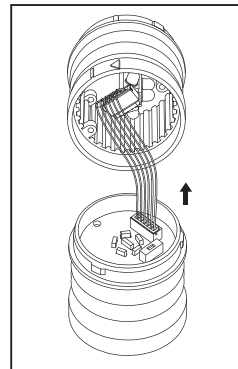


## How to replace the module / Light Function Selection

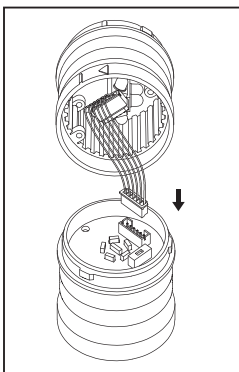
### How to replace the module



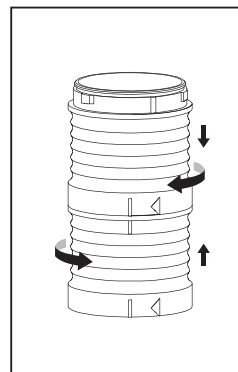
- Disassembling the module
- ① Twist the upper module kit in a counterclockwise direction so the "□" mark from both kits align.
- ② Disassemble by removing the upper module kit from the lower one.



- How to disassemble the connector
- ① Disassemble the connector of the upper lens and the connector of the lower lens in the direction of the arrow.

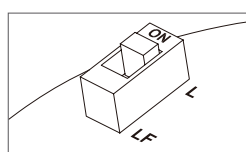
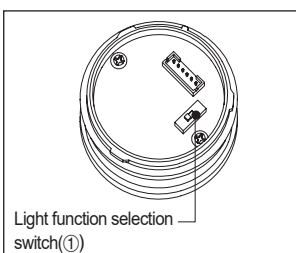


- How to assemble the connector
- ① Assemble the connector of the upper lens and the connector of the lower lens in the direction of the arrow.

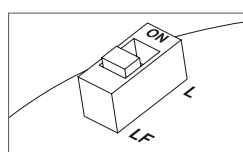


- Assembling the module
- ① Put the two module together by aligning the upper module' "□" mark and the lower module' "□" mark together.
- ② Lock the two kits by twisting the upper module kit in a clockwise direction so the upper module' "◁" mark aligns with the lower module' "□" mark.

### Light function selection



▶ L : steady

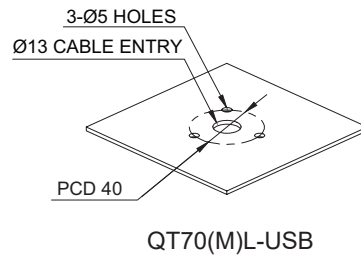
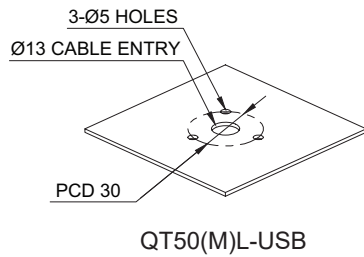


▶ LF : flashing

- Please refer to the instruction below to use light function selection switch(①) located inside the product.
- Default function is set at steady LED. Select the desired function for your application during installation.

## Mounting Hole Specifications

① Machine holes on the mounting surface referring to the diagram below.



② Remove the flange nuts from bolts and place the product through the mounting surface holes.

③ Fasten the flange nuts on the opposite side of the mounting surface until the product is tightened securely.

## Installation Environment and Protection Rating

- This product is designed for use with protection rating of IP54.
- If the product is installed in locations that subject it to excessive dust or water other than the designated IP protection rating indicated(IP54), it may cause malfunction or damage to the product.
- For further information, please visit our website ([www.qlight.com](http://www.qlight.com)).

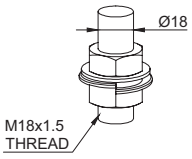
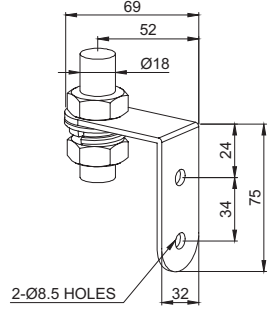
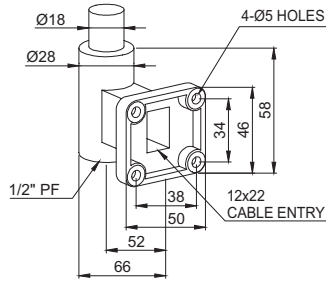
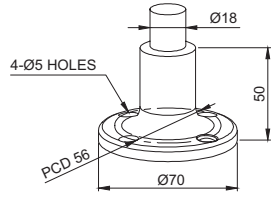
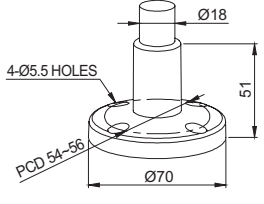
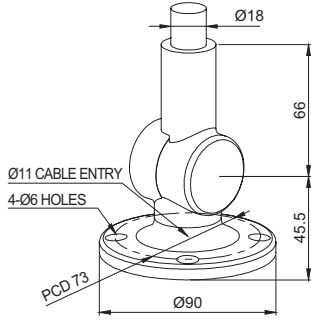
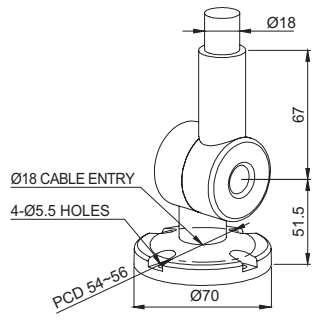
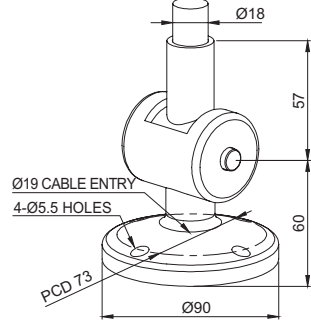
## Mounting Accessories (Sold Separately)

• Please refer to the dimensions below for installation of mounting brackets

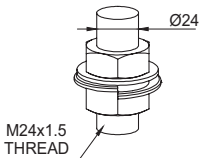
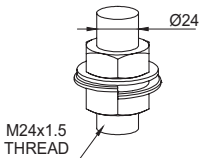
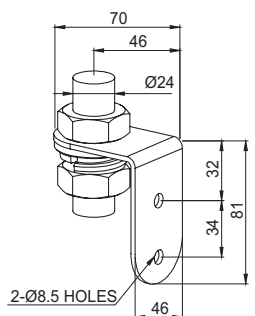
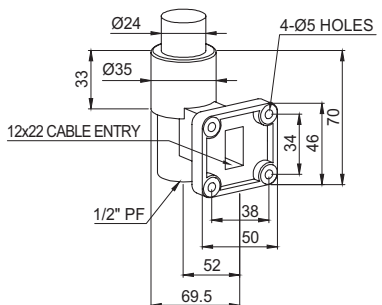
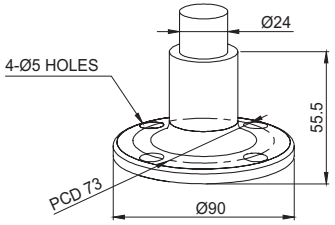
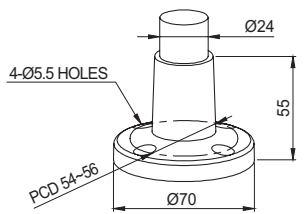
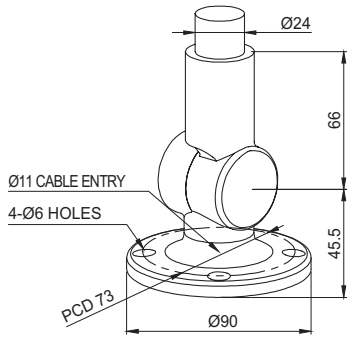
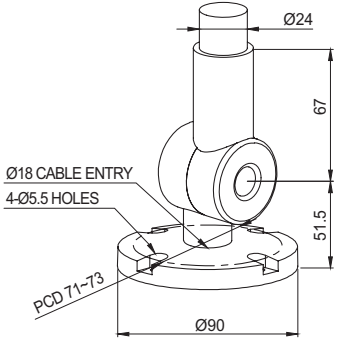
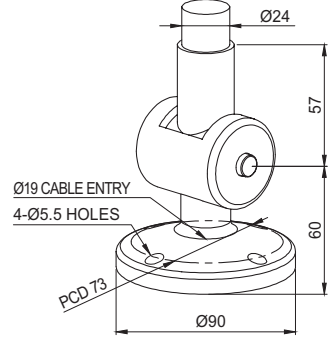
### ■ QT50ML-USB/ QT70ML-USB -Direct Mounting Type Model

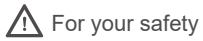
	Dimensions	
QT50ML-USB	<p>TWS45</p>	<p>TWA45</p>
QT70ML-USB	<p>TWS80</p>	<p>TWA80</p>

■ QT50L-USB - Pole Mounting Type Model

Dimensions	
<p>QT50L-USB</p>  <p style="text-align: center;">18mm SCREW &amp; NUT</p>	 <p style="text-align: center;">LB18</p>
 <p style="text-align: center;">LW18</p>	 <p style="text-align: center;">SZ18</p>
 <p style="text-align: center;">QZ18</p>	 <p style="text-align: center;">SL18</p>
 <p style="text-align: center;">QL18</p>	 <p style="text-align: center;">QLA18</p>

■ QT70L-USB - Pole Mounting Type Model

		Dimensions		
QT70L-USB	 <p>M24x1.5 THREAD</p> <p>Ø24</p>	 <p>M24x1.5 THREAD</p> <p>Ø24</p>	 <p>70 46 Ø24 81 32 34 46 2-Ø8.5 HOLES</p>	<p>24mm SCREW &amp; NUT</p> <p>LB24</p>
	 <p>Ø24 4-Ø5 HOLES 70 33 Ø35 12x22 CABLE ENTRY 1/2" PF 34 46 38 50 52 69.5</p>	 <p>Ø24 4-Ø5 HOLES 55.5 Ø90 PCD 73</p>	<p>LW24</p> <p>SZ24</p>	
	 <p>Ø24 4-Ø5.5 HOLES 55 Ø70 PCD 54-56</p>	 <p>Ø24 66 Ø11 CABLE ENTRY 4-Ø6 HOLES 45.5 Ø90 PCD 73</p>	<p>QZ24</p> <p>SL24</p>	
	 <p>Ø24 67 Ø18 CABLE ENTRY 4-Ø5.5 HOLES 51.5 Ø90 PCD 71-73</p>	 <p>Ø24 57 Ø19 CABLE ENTRY 4-Ø5.5 HOLES 60 Ø90 PCD 73</p>	<p>QL24</p> <p>QLA24</p>	



For your safety

Specification and dimensions listed in this catalogue subject to change without notice for product quality improvement.  
The newest product information is available on our website.(www.qlight.com)  
Please read the instruction manual attached to the product carefully before installation and use.

*Qlight Co., Ltd. www.qlight.com | trade@qlight.com*

Head Office | Suite #1510, STX-V Tower, 128 Gasan digital 1-ro, Geumcheon-gu, Seoul, Korea

Tel. +82-2-2679-6152(Toll free. +82-80-328-2222) Fax. +82-2-2679-6154

Factory | 185-25, Mukbang-ro, Sangdong-myeon, Gimhae-si, Gyeongsangnamdo, Korea Tel. +82-55-328-1111(Toll free. +82-80-328-1111)

Qlight OverSEAs Sales Dept | 704 Nakdong-daero, Sasang-gu, Busan, Korea(Eomgung-Dong) Tel : +82-51-620-4100

Qlight Public Relations & Marketing Team Office | 704 Nakdong-daero, Sasang-gu, Busan, Korea(Eomgung-Dong) Tel. +82-51-245-0017

---

*Qlight USA, Inc. www.qlight.com www.qlightusa.com | sales@qlightusa.com*

3003 North First Street, Suite #341, San Jose, CA 95134 USA Tel. +1-408-519-5740 Fax. +1-408-519-5739

---

*SHANGHAI Qlight Electronic Co., Ltd. www.qlight.com www.qlightcn.com | qlightcn@qlight.com*

China Factory/ Shanghai Sales Office | #19, Nanda Road, Baoshan Area, Shanghai, China Tel. +86-21-6651-7100 Fax. +86-21-6315-3929

China Factory Site 2 (Qidong) | #33, Haiyan Road, Qidong High-tech Industrial Development Zone, Qidong, Jiangsu Province, China

Tel +86-513-8384-9999 Fax +86-513-8384-9910

**Qlightec**

Innovation in Alarm & Signal

Product Operation Inquiry / Customer Support +82-51-620-4100

You can expect prompt service if you have exact information such as model name, symptom, telephone number and address.

※ ALL PRODUCT, PRODUCT SPECIFICATIONS AND DATA ARE SUBJECT TO CHANGE WITHOUT NOTICE TO IMPROVE RELIABILITY, FUNCTION OR DESIGN OR OTHERWISE.

Head office : Suite #1510, STX-V Tower, 128 Gasan digital 1-ro, Geumcheon-gu, Seoul, Korea (Postal Code : 08507)

Factory : 185-25, Mukbang-Ro, Sangdong-Myeon, Gimhae-Si, Gyeongsangnam-Do, Korea (Postal Code : 50805)

www.qlight.com

EN - QT50L-USB - 2111A