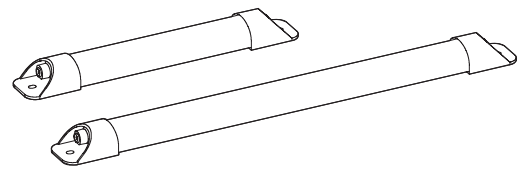
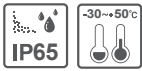


General Waterproof LED Light Bars

QPL/ QPHL



Thank you for purchasing Qlight's products. Please read this user manual carefully prior to installation and operation to ensure safe and correct use.

⚠ Precautions for Safety

Failure to follow the instructions below may cause a loss of life or serious physical injury.

1. During wiring or maintenance, please completely turn off the power of the product. (Failure to follow this may lead to an electric shock.)
2. Do not install the product in locations that subjects it to excessive dust or water other than the conditions designated by the IP protection ratings indicated for each product. (Failure to follow these instructions may cause a fire to the product, electric shock, physical injury, malfunction or damage to the product.)
3. Do not alter or repair this product. If maintenance or repair service is required, please contact your local Qlight contact point. (Failure to follow these instructions may lead to fire, electric shock, or product damage.)
4. Please apply the correct voltage to the product. (Failure to follow these instructions may lead to fire, electric shock, or product damage.)
5. When the product is applied to a condition that may impact lives or property, please make sure to have a double safety device. (Failure to follow this may cause damage to property, fire, electric shock and loss of life.)

⚠ Precautions for Correct Use

Failure to follow the proper instructions may cause damage to property, the product, or malfunction of the product that would void the warranty.

1. Please remove any objects that can interrupt ventilation around the product.
2. Please turn off the power of the product immediately if it fails to operate properly.
3. Carefully wire the product according to each product's specification.
4. Please be careful in preventing chemicals such as thinner, benzene, etc. in contact with the surface of the product.
5. Do not apply excessive force/impact to the product.
6. Failure to follow any of the instructions above may cause malfunction or damage to the product, fire, and electric shock.

Ordering Specifications

QPL	200	24
[Model number]	[Product length]	[Voltage]
<ul style="list-style-type: none">• QPL - Translucent lens• QPLC - Transparent lens• QPHL - High brightness translucent lens• QPHLC - High brightness transparent lens	<ul style="list-style-type: none">• 200 - 200mm• 300 - 300mm• 400 - 400mm• 500 - 500mm	<ul style="list-style-type: none">• 24 - DC24V• 110 - AC110V• 220 - AC220V



Please scan the QR code for more detailed product information.

www.qlight.com

Product Specifications

■ QPL - Optics Specifications

Model number	QPL-200	QPLC-200	QPL-300	QPLC-300	QPL-400	QPLC-400	QPL-500	QPLC-500	
Lens color	Translucent	Transparent	Translucent	Transparent	Translucent	Transparent	Translucent	Transparent	
Light color (Standard)	Cool daylight								
Color temperature (Standard)	6,000-7,000K								
Luminous flux	DC	187lm	248lm	309lm	387lm	436lm	515lm	587lm	587lm
	AC	-	381lm	433lm	527lm	600lm	696lm	792lm	792lm
Illumination (at 1m)	DC	65Lux	80Lux	100Lux	120Lux	145Lux	160Lux	195Lux	195Lux
	AC	-	100Lux	120Lux	175Lux	210Lux	255Lux	305Lux	265Lux

■ QPL - General Product Specifications

Model number	QPL-200/ QPLC-200	QPL-300/ QPLC-300	QPL-400/ QPLC-400	QPL-500/ QPLC-500
Rated voltage	DC24V	DC24V	DC24V	DC24V
		AC110V / 220V	AC110V / 220V	AC110V / 220V
Range for operation voltage	DC21.5V-26.5V	DC21.5V-26.5V / AC98V-121V / AC198V-245V		
Power consumption	4W	4W	5.5W	7.5W
		3.5W / 5.5W	6W / 7.5W	9W / 11W
Insulation resistance	Min. 100MΩ(500V DC mega ohm meter)			
Withstanding voltage	DC : 500VAC, 60Hz, 1 minute / AC : 1,500VAC, 60Hz, 1 minute			
Operating temperature	-30°C to +50°C			
Protection rating	IP65			
Materials	Lens : PC, Side cover : ABS, Heat sink : Al			
Certificate	CE DC24V, AC220V Only / UL DC24V Only			
Weight(approx.)	0.13kg	0.15kg	0.21kg	0.24kg

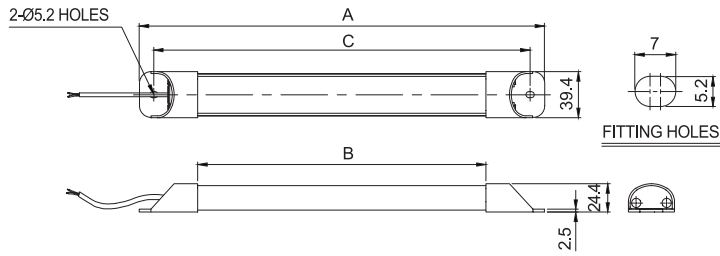
■ QPHL - Optics Specifications

Model number	QPHL-200	QPHLC-200	QPHL-300	QPHLC-300	QPHL-400	QPHLC-400	QPHL-500	QPHLC-500	
Lens color	Translucent	Transparent	Translucent	Transparent	Translucent	Transparent	Translucent	Transparent	
Light color (Standard)	Cool daylight								
Color temperature (Standard)	6,000-7,000K								
Luminous flux	DC	289lm	344lm	460lm	529lm	668lm	768lm	803lm	907lm
	AC	-	-	505lm	582lm	714lm	814lm	927lm	1,094lm
Illumination (at 1m)	DC	80Lux	100Lux	120Lux	150Lux	190Lux	230Lux	250Lux	310Lux
	AC	-	-	125Lux	150Lux	210Lux	255Lux	290Lux	355Lux

■ QPHL - General Product Specifications

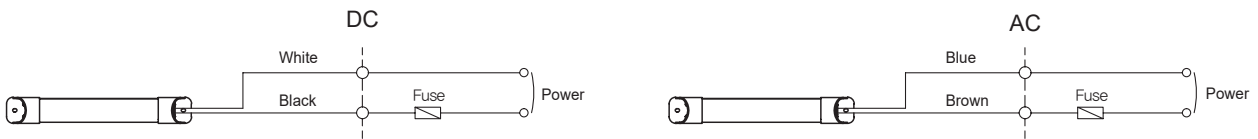
Model number	QPHL-200/ QPHL-C200	QPHL-300/ QPHLC-300	QPHL-400/ QPHLC-400	QPHL-500/ QPHLC-500
Rated voltage	DC24V	DC24V	DC24V	DC24V
		AC110V / 220V	AC110V / 220V	AC110V / 220V
Range for operation voltage	DC21.5V-26.5V	DC21.5V-26.5V / AC98V-121V / AC198V-245V		
Power consumption	4W	5.5W	8.5W	12W
		4W / 6.5W	7W / 9W	10W / 12W
Insulation resistance	Min. 100MΩ(500V DC mega ohm meter)			
Withstanding voltage	DC : 500VAC, 60Hz, 1 minute / AC : 1,500VAC, 60Hz, 1 minute			
Operating temperature	-30°C to +50°C			
Protection rating	IP65			
Materials	Lens : PC, Side cover : ABS, Heat sink : Al			
Certificate	-	CE DC24V, AC220V Only / UL DC24V Only		
Weight(approx.)	0.13kg	0.22kg	0.31kg	0.41kg
		0.23kg	0.32kg	0.42kg

QPL/ QPHL-200/ 300/ 400/ 500
 QPLC/ QPHLC-200/ 300/ 400/ 500



MODEL	A	B	C
QPL/ QPHL/ QPLC/ QPHLC 200	200	100	175
QPL/ QPHL/ QPLC/ QPHLC 300	300	200	275
QPL/ QPHL/ QPLC/ QPHLC 400	400	300	375
QPL/ QPHL/ QPLC/ QPHLC 500	500	400	475

Wiring Instructions

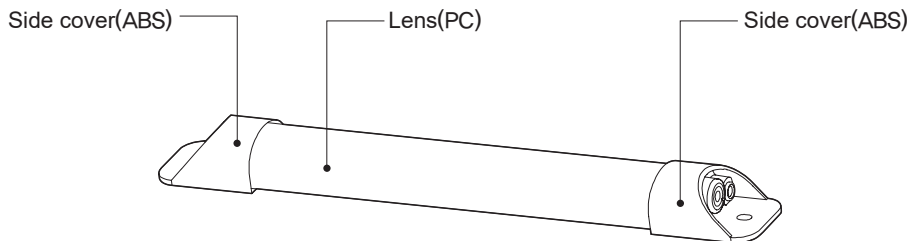


- DC steady type cable specification : External power line - UL2464 AWG22(0.3sq) x 2C 450mm
- AC steady type cable specification : External power line - VCTFK(0.75sq) x 2C 450mm
- DC type product can be wired regardless of polarity.

Parts Definition/ Installation

■ Parts Definition

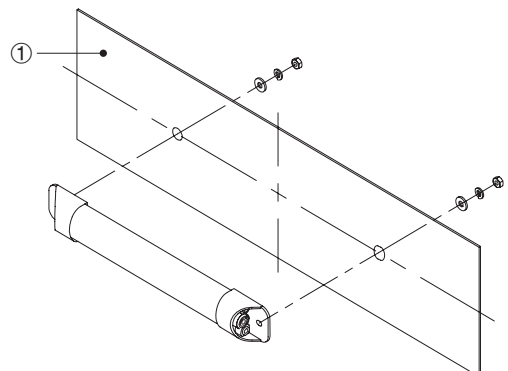
QPL/ QPHL/ QPLC/ QPHLC



Installation/ Mounting Hole Specifications

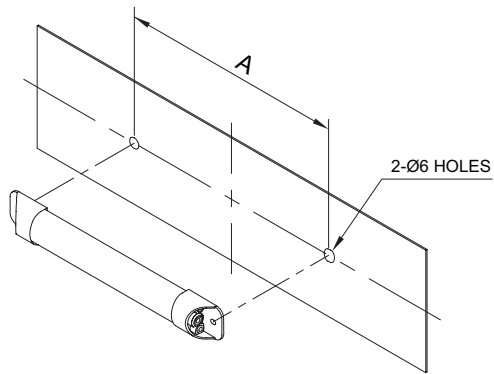
■ Installation

- First, machine taps or holes on the mounting surface ①.
- The mounting hole of this product is 5.2mm in diameter(long hole).
- When machining taps, fasten the bolt through the mounting hole of the product.
- When machining holes, insert the bolt through the hole of the product, and tighten the nut from the opposite side of the mounting surface.
 (When assembling using bolt and nut, please make sure to use flat washer and spring washer.)



Mounting Hole Specifications

- Machine holes on the mounting surface referring to the diagram below.



MODEL	A
QPL/ QPHL/ QPLC/ QPHLC-200	175
QPL/ QPHL/ QPLC/ QPHLC-300	275
QPL/ QPHL/ QPLC/ QPHLC-400	375
QPL/ QPHL/ QPLC/ QPHLC-500	475

QPL/ QPHL/ QPLC/ QPHLC-200/ 300/ 400/ 500

Installation Environment and Protection Rating

- This product is designed for use with protection rating of IP65.
- If the product is installed in locations that subject it to excessive dust or water other than the designated IP protection rating indicated(IP65), it may cause malfunction or damage to the product.
- For further information, please visit our website(www.qlight.com).

Technical Certification

- Qlight products are designed to meet strict quality and technical standards. Thus, the Qlight brand is widely recognized for its high quality and technical innovations from leading institutions around the world.



ISO International Organization for Standardization

Qlight quality assurance systems have been certified by ISO by applying the ISO 9001:2008, KS Q ISO 9001:2009 regulation.



IECEX International Explosion Proof Certification (IECEX)

Certified that Qlight's products are being manufactured and manage according to international standards.



ATEX The European Regulatory Framework or Manufacture, Installation and Use of Equipment in Explosive Atmospheres

Qlight's explosion proof products comply with ATEX Directives 94/9/EC.



NEPSI National Supervision and Inspection Center for Explosion Protection and Safety of Instrumentation

Qlight's design and manufacturing system meets the People's Republic of China National explosion proof Standard. (Chinese Standard-GB3836/GB12476)



KCs Explosion Proof Device Safety Certification System

The safety performance of machines and equipment subject to safety certification and Technical capability and production system have been certified safety certification standards.



TIIS Japan Explosion-proof Certification

TIIS is a Japanese explosion proof test and certification system accordance with the Ministry of Health, Labour and Welfare Notice and the explosion proof guidelines for factory electrical equipment. Qlight's explosion proof products have been tested and certified by TIIS.



CCS China Classification Society

Qlight's design and quality assurance system has been certified by the China Classification Society.



RMRS Russian Maritime Register of Shipping

Qlight's design and quality assurance system has been certified from Russian Maritime Register of Shipping.



LR Lloyd's Register

Qlight's design and quality assurance system has been certified from Lloyd's Register.



KR Korean Register of Shipping

Qlight's design and quality assurance system has been certified by the Korean Register of Shipping.



KC Korea Safety Certification

Qlight's products are certified by KC for preventing accident caused by fire.



E-mark Commission Directive Regarding Vehicle Industry

Qlight has obtained EU mark for approved vehicles and vehicle components sold into the EU (EEA : European Economic Area)



ICAO International Civil Aviation Organization

Qlight guarantees our products satisfy the criteria regulated by the International Civil Aviation Organization (ICAO, FAA).



KCC Conformity Assessment of Broadcasting Communication Equipment

Qlight has been certified to protect the electromagnetic environment that causes unwanted electromagnetic waves from the device, communication failure due to other devices or external radio waves, and malfunction of the device.



UL Underwriters Laboratories

Qlight's design and quality assurance system has been certified from UL to ensure the stability of consumption goods and to protect consumers.



CCCF China Certification Center for Security & Protection

Qlight has passed the rigorous examination process of "Passing Fire Protection Products Centering" in order to sell fire-fighting products such as fire alarm equipment to Chinese market.



CCC China Compulsory Certificate

Qlight's has obtained CCC which guarantees safety, protection against fraud, environment, etc.



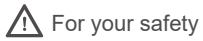
CE European Commission

Qlight has been certified by the European Commission.



RoHS2 Restriction of Hazardous Substances Directive

Qlight complies with the Restriction of Hazardous Substances Directive by limiting its use of hazardous materials.



For your safety

Specification and dimensions listed in this catalogue subject to change without notice for product quality improvement.
The newest product information is available on our website.(www.qlight.com)
Please read the instruction manual attached to the product carefully before installation and use.

Qlight Co., Ltd. www.qlight.com | trade@qlight.com

Head Office | Suite #1510, STX-V Tower, 128 Gasan digital 1-ro, Geumcheon-gu, Seoul, Korea

Tel. +82-2-2679-6152(Toll free. +82-80-328-2222) Fax. +82-2-2679-6154

Factory | 185-25, Mukbang-ro, Sangdong-myeon, Gimhae-si, Gyeongsangnamdo, Korea Tel. +82-55-328-1111(Toll free. +82-80-328-1111)

Qlight OverSEAs Sales Dept | 704 Nakdong-daero, Sasang-gu, Busan, Korea(Eomgung-Dong) Tel : +82-51-620-4100

Qlight Public Relations & Marketing Team Office | 704 Nakdong-daero, Sasang-gu, Busan, Korea(Eomgung-Dong) Tel. +82-51-245-0017

Qlight USA, Inc. www.qlight.com www.qlightusa.com | sales@qlightusa.com

3003 North First Street, Suite #341, San Jose, CA 95134 USA Tel. +1-408-519-5740 Fax. +1-408-519-5739

SHANGHAI Qlight Electronic Co., Ltd. www.qlight.com www.qlightcn.com | qlightcn@qlight.com

China Factory/ Shanghai Sales Office | #19, Nanda Road, Baoshan Area, Shanghai, China Tel. +86-21-6651-7100 Fax. +86-21-6315-3929

China Factory Site 2 (Qidong) | #33, Haiyan Road, Qidong High-tech Industrial Development Zone, Qidong, Jiangsu Province, China

Tel +86-513-8384-9999 Fax +86-513-8384-9910

Qlightec

Innovation in Alarm & Signal

Product Operation Inquiry / Customer Support +82-51-620-4100

You can expect prompt service if you have exact information such as model name, symptom, telephone number and address.

※ ALL PRODUCT, PRODUCT SPECIFICATIONS AND DATA ARE SUBJECT TO CHANGE WITHOUT NOTICE TO IMPROVE RELIABILITY, FUNCTION OR DESIGN OR OTHERWISE.

Head office : Suite #1510, STX-V Tower, 128 Gasan digital 1-ro, Geumcheon-gu, Seoul, Korea (Postal Code : 08507)

Factory : 185-25, Mukbang-Ro, Sangdong-Myeon, Gimhae-Si, Gyeongsangnam-Do, Korea (Postal Code : 50805)

www.qlight.com

EN - QPL- 200 -2106A