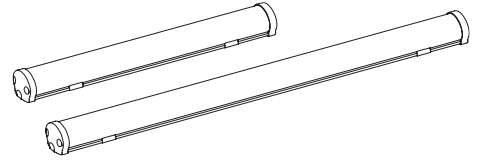


LED Light Bars for Indoor Use

QGL/ QGLC



Thank you for purchasing Qlight's products. Please read this user manual carefully prior to installation and operation to ensure safe and correct use.

⚠ Precautions for Safety

Failure to follow the instructions below may cause a loss of life or serious physical injury.

1. During wiring or maintenance, please completely turn off the power of the product. (Failure to follow this may lead to an electric shock.)
2. Do not install the product in locations that subjects it to excessive dust or water other than the conditions designated by the IP protection ratings indicated for each product. (Failure to follow these instructions may cause a fire to the product, electric shock, physical injury, malfunction or damage to the product.)
3. Do not alter or repair this product. If maintenance or repair service is required, please contact your local Qlight contact point. (Failure to follow these instructions may lead to fire, electric shock, or product damage.)
4. Please apply the correct voltage to the product. (Failure to follow these instructions may lead to fire, electric shock, or product damage.)
5. When the product is applied to a condition that may impact lives or property, please make sure to have a double safety device. (Failure to follow this may cause damage to property, fire, electric shock and loss of life.)

⚠ Precautions for Correct Use

Failure to follow the proper instructions may cause damage to property, the product, and or malfunction of the product that would void the warranty.

1. Please remove any objects that can interrupt ventilation around the product.
2. Please turn off the power of the product immediately if it fails to operate properly.
3. Carefully wire the product according to each product's specification.
4. Please be careful in preventing chemicals such as thinner, benzene, etc. in contact with the surface of the product.
5. Do not apply excessive force/impact to the product.
6. Failure to follow any of the instructions above may cause malfunction or damage to the product, fire, and electric shock.

Ordering Specifications

QGL	200	24
[Model number]	[Product length]	[Voltage]
• QGL - Translucent lens • QGLC - Transparent lens	• 200 - 200mm • 300 - 300mm • 400 - 400mm • 500 - 500mm	• 24 - DC4V • 110 - AC110V • 220 - AC220V



Please scan the QR code for more detailed product information.

www.qlight.com

Product Specifications

■ Optics Specifications

Model		QGL 200	QGLC 200	QGL 300	QGLC 300	QGL 400	QGLC 400	QGL 500	QGLC 500
Lens color		Translucent	Transparent	Translucent	Transparent	Translucent	Transparent	Translucent	Transparent
Light color (Standard)	Cool daylight								
Color temperature (Standard)	6,000~7,000K								
Luminous flux	DC	265lm	332lm	397lm	498lm	595lm	748lm	872lm	997lm
	AC	316lm	358lm	530lm	602lm	720lm	818lm	952lm	1,080lm
Illumination (at 1m)	DC	70Lux	85Lux	140Lux	170Lux	210Lux	255Lux	280Lux	340Lux
	AC	85Lux	90Lux	185Lux	205Lux	255Lux	280Lux	310Lux	370Lux

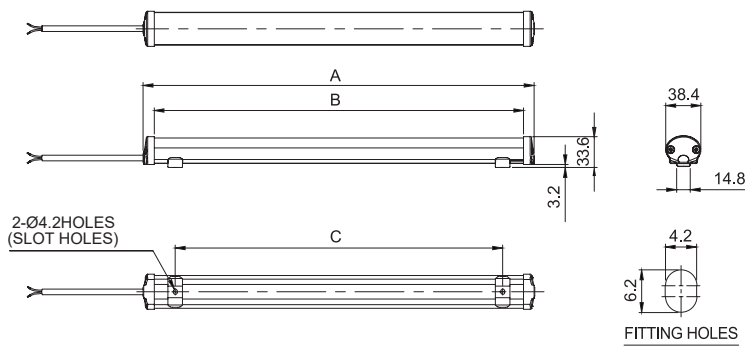
■ General Product Specifications

Model	QGL200/ QGLC200	QGL300/ QGLC300	QGL400/ QGLC400	QGL500/ QGLC500
Rated voltage	DC24V	DC24V	DC24V	DC24V
	AC110V / 220V	AC110V / 220V	AC110V / 220V	AC110V / 220V
Range for operation voltage	DC21.5V~26.5V / AC98V~121V / AC198V~245V			
Power consumption	3W	5W	7.5W	10.5W
	4W / 3.5W	7W / 6.5W	9W / 9W	12W / 11.5W
Insulation resistance	Min. 100MΩ(500V DC mega ohm meter)			
Withstanding voltage	DC : 500VAC, 60Hz, 1 minute / AC : 1,500VAC, 60Hz, 1 minute			
Protection rating	Non waterproof			
Operating temperature	-30°C to +50°C			
Materials	Lens : PC, Side cover : ABS, Heat sink : Al, Bracket : STS201			
Certificate	CE DC only			
Weight(approx.)	0.12kg	0.17kg	0.23kg	0.28g

Dimensions

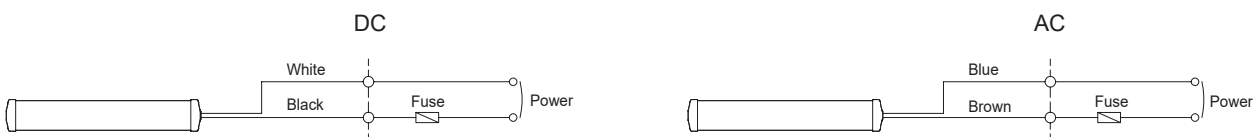
(Units : mm)

QGL/ QGLC-200/ 300/ 400/ 500



MODEL	A	B	C
QGL/ QGLC-200	200	177	16~130
QGL/ QGLC-300	300	277	16~230
QGL/ QGLC-400	400	377	16~330
QGL/ QGLC-500	500	477	16~430

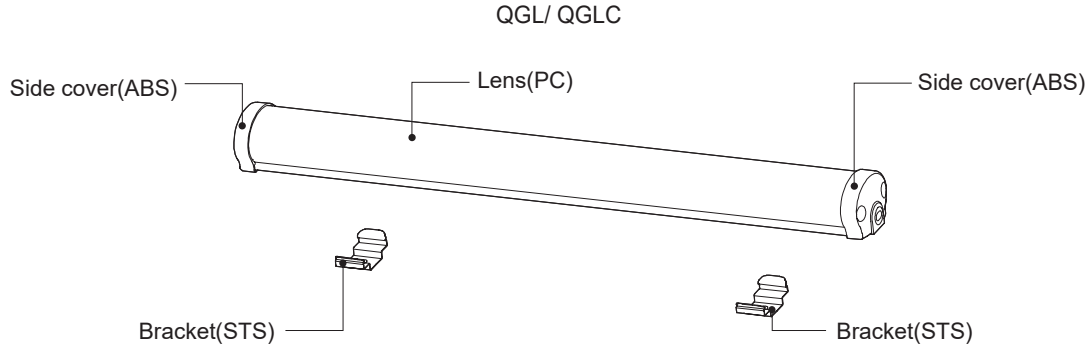
Wiring Instructions



- DC steady type cable specification : External power line - UL2464 AWG22(0.3sq) x 2C 450mm
- AC steady type cable specification : External power line - ACTFK(0.75sq) x 2C 450mm
- This product can be wired regardless of polarity.

Parts Definition/ Bracket Adjustment

Parts Definition



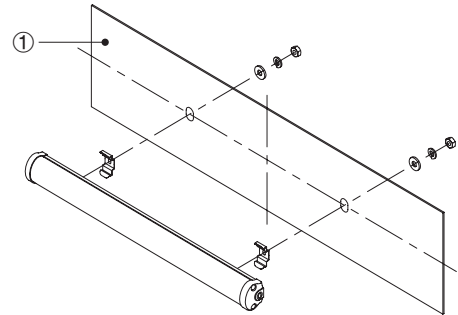
Bracket Adjustment

- Mounting brackets are removable with special sliding structure that allows easy adjustment of distance between the two mounting brackets.

Installation/ Mounting Hole Specifications

Installation

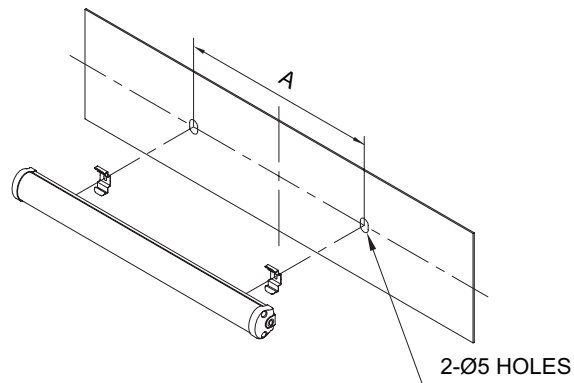
- First, machine taps or holes on the mounting surface ①.
- The mounting hole of this product is 4.2mm in diameter(long hole).
- When machining taps, fasten the bolt through the mounting hole of the product.
- When machining holes, insert the bolt through the hole of the product, and tighten the nut from the opposite side of the mounting surface.
- Install flat washer and spring washer when fastening bolt and nut.
- To secure the product to brackets, place the products to brackets and push it lightly until it makes “clark” sound.



Mounting Hole Specifications

- Machine holes on the mounting surface referring to the diagram below.

MODEL	A
QGL/ QGLC-200	16~130
QGL/ QGLC-300	16~230
QGL/ QGLC-400	16~330
QGL/ QGLC-500	16~430



Installation Environment and Protection Rating

- This product is non waterproof.
- This product is designed for only indoor use.
- If the product is installed in locations that subject it to excessive dust or water other than the designated IP protection rating indicated, it may cause malfunction or damage to the product.
- For further information, please visit our website (www.qlight.com).



For your safety

Specification and dimensions listed in this catalogue subject to change without notice for product quality improvement.
The newest product information is available on our website.(www.qlight.com)
Please read the instruction manual attached to the product carefully before installation and use.

Qlight Co., Ltd. www.qlight.com | trade@qlight.com

Head Office | Suite #1510, STX-V Tower, 128 Gasan digital 1-ro, Geumcheon-gu, Seoul, Korea

Tel. +82-2-2679-6152(Toll free. +82-80-328-2222) Fax. +82-2-2679-6154

Factory | 185-25, Mukbang-ro, Sangdong-myeon, Gimhae-si, Gyeongsangnamdo, Korea Tel. +82-55-328-1111(Toll free. +82-80-328-1111)

Qlight OverSEAs Sales Dept | 704 Nakdong-daero, Sasang-gu, Busan, Korea(Eomgung-Dong) Tel : +82-51-620-4100

Qlight Public Relations & Marketing Team Office | 704 Nakdong-daero, Sasang-gu, Busan, Korea(Eomgung-Dong) Tel. +82-51-245-0017

Qlight USA, Inc. www.qlight.com www.qlightusa.com | sales@qlightusa.com

3003 North First Street, Suite #341, San Jose, CA 95134 USA Tel. +1-408-519-5740 Fax. +1-408-519-5739

SHANGHAI Qlight Electronic Co., Ltd. www.qlight.com www.qlightcn.com | qlightcn@qlight.com

China Factory/ Shanghai Sales Office | #19, Nanda Road, Baoshan Area, Shanghai, China Tel. +86-21-6651-7100 Fax. +86-21-6315-3929

China Factory Site 2 (Qidong) | #33, Haiyan Road, Qidong High-tech Industrial Development Zone, Qidong, Jiangsu Province, China

Tel +86-513-8384-9999 Fax +86-513-8384-9910

Qlightec

Innovation in Alarm & Signal

Product Operation Inquiry / Customer Support +82-51-620-4100

You can expect prompt service if you have exact information such as model name, symptom, telephone number and address.

※ ALL PRODUCT, PRODUCT SPECIFICATIONS AND DATA ARE SUBJECT TO CHANGE WITHOUT NOTICE TO IMPROVE RELIABILITY, FUNCTION OR DESIGN OR OTHERWISE.

Head office : Suite #1510, STX-V Tower, 128 Gasan digital 1-ro, Geumcheon-gu, Seoul, Korea (Postal Code : 08507)

Factory : 185-25, Mukbang-Ro, Sangdong-Myeon, Gimhae-Si, Gyeongsangnam-Do, Korea (Postal Code : 50805)

www.qlight.com

EN - QGL-200 - 2106A