

QAD Series

Wall Mount Dome Type Signal Light with Electrical Horn



PRODUCT SPECIFICATION

QAD80H | QAD100H | QAD125H
QAD100H-N | QAD125H-N

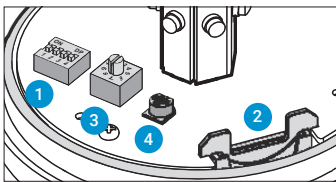
Materials Lens-PC, Housing-ABS
Ambient operating temperature -30°C to +60°C
Protection rating IP65
Flashing rate 60-80/min
 (Built-in Steady-Flash selection switch)
Compliant with RoHS directive

- **QAD100H / QAD125H(MP3)**
- User defined 30 sounds, 30 built-in sounds.
- **QAD80H / QAD100H-N / QAD125H-N (standard unit)**
- 30 built-in sounds

- Combination of warning light and horn allow for both visual and audible signal transmission at once
- Appropriate sound tones can be chosen depending on the various working environment among various available sound tones
- Sound tone selector and volume controller in front of the device allows for convenient use(Buzzer type is unsupported)
- SD Card type allows user defined sound tone
- Built-in 30 sound tones, Support Binary and Bit input modes
- Binary input mode selects and plays 30 sounds using sound select switch
- Bit input mode consists of 5 sound types with 6 groups. Choose one of the groups to play 5 sounds.(MP3 does not support group)
- MP3 support(QAD100H / QAD125H)
- Standard unit choose built-in sound only. It can choose 30 sounds in accordance with the customer's needs.

Multi-functional Product

- Standard unit does not support either SD card or Play mode.



- 1 Sound setup switch
- 2 SD Card for MP3 play
- 3 Play mode set up switch
- 4 Volume

User-defined sound(MP3)

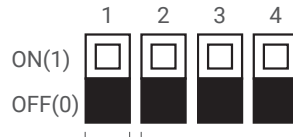
- **User-defined sound(MP3) type**



Customer can create a playlist and grouping conveniently through PC. Product supports up to 32Gbyte. SD Card is an optional item.

Sound Selection Instruction for SDCard Type

- SD card type unit
- It can choose both built-in sounds and user defined sounds(MP3) by controlling sound setup switch no. 1.
- Standard unit
- It can choose both Bit input mode and Binary input mode by controlling sound setup switch no. 1.



Bit input mode selection from 6 groups

- 001: WS(5 Warning sounds)
- 010: WP(5 Special warning sounds 1st group)
- 011: WM(5 Melodies)
- 100: WA(5 Alarms)
- 101: WO(5 Special warning sounds 2nd group)
- 110: WN(5 Special warning sounds 3rd group)

Sound Selection

- 0: Built-in sound
- 1: SD Card(MP3)

Standard unit(Built-in sound only)

- 0:Bit input(Can choose 5 channels per group)
- 1:Binary(Can choose 30 channels)

- 30 pre-recorded sounds offered(5 warning sounds, 5 special warning sounds 1st group, 5 melodies, 5 alarms, 5 special warning sounds 2nd group, 5 special warning sounds 3rd group)
- External MP3 sound support(SD card)
- Binary input: 30 channels
- Bit input: 5 channels(6 sound groups)
- A multi-functional product that can use an SD card for MP3 playback
- Please refer to [Sound pattern and combination for multifunctional product] on this catalogue for channel input setting.

Features per modelst

	QAD100H / QAD125H(MP3)	QAD80H / QAD100H-N QAD125H-N (standard unit)	Column
Support SD card(MP3)	0	X	
Support 30 built-in sounds	0	0	
Play mode	0	X	
Bit/Binary input	0	0	Please refer to sound setup switch manual parts



QAD80H Wall Mount Type LED Steady/Flash & Electric Horn

Model number	Voltage	Current	Sound Pattern and volume	Certificates	Weight	Color
QAD80H	DC12V-24V	Max.0.990A	· Bit Input: 5Ch · Binary Input: 30Ch · Built-in sounds: Max.100dB (Based on WM-Ch4)	CE	0.70kg	● R-Red ● A-Amber ● G-Green ● B-Blue

· Built-in sound

※ DC type model has a free-voltage range of 12V-30V.

QAD100H / QAD125H Wall Mount Type LED Steady/Flash & Electric Horn

Model number	Voltage	Current	Sound Pattern and volume	Certificates	Weight	Color
QAD100H	DC12V-24V AC110V-220V	Max.1.055A Max.0.360A	· Bit Input: 5Ch · Binary Input: 30Ch · Built-in sounds: Max.100dB (Based on WA-Ch4) · MP3: Max.95dB	CE	0.92kg	● R-Red ● A-Amber ● G-Green ● B-Blue
QAD125H	DC12V-24V AC110V-220V	Max.2.150A Max.0.320A	· Bit Input: 5Ch · Binary Input: 30Ch · Built-in sounds: Max.115dB (Based on WA-Ch4) · MP3: Max.100dB			

· Built-in sound/MP3

※ DC type model has a free-voltage range of 12V-30V.

※ AC type model has a free-voltage range of 100V-240V.

※ When playing MP3 files, there may be difference of volume depending on user's audio file type.

Ordering Specification

QAD80H	-	12/24	-	R	-	INSD
[Model number]		[Voltage]		[Color]		[Including SD card]
QAD80H		12/24-DC12V-24V		● R-Red ● A-Amber ● G-Green ● B-Blue		
QAD100H		12/24-DC12V-24V				(None)-Without SD card
QAD125H		110/220-AC110V-220V				INSD-Including SD card

QAD100H-N / QAD125H-N Wall Mount Type LED Steady/Flash & Electric Horn

Model number	Voltage	Current	Sound Pattern and volume	Certificates	Weight	Color
QAD100H-N	DC12V-24V AC110V-220V	Max.1.270A Max.0.250A	· Bit Input: 5Ch · Binary Input: 30Ch · Built-in sounds : Max.100dB (Based on WS-Ch4)	CE	0.92kg	● R-Red ● A-Amber ● G-Green ● B-Blue
QAD125H-N	DC12V-24V AC110V-220V	Max.1.130A Max.0.275A	· Bit Input: 5Ch · Binary Input: 30Ch · Built-in sounds : Max.115dB (Based on WA-Ch4)			

· Built-in sound

※ DC type model has a free-voltage range of 12V-30V.

※ AC type model has a free-voltage range of 100V-240V.

Ordering Specification

QAD100H-N	-	12/24	-	R
[Model number]		[Voltage]		[Color]
QAD100H-N		12/24-DC12V-24V		● R-Red ● A-Amber ● G-Green ● B-Blue
QAD125H-N		110/220-AC110V-220V		



QAD80H



QAD100H-N



Do not supply Power into the signal line. Product may be damaged as a result

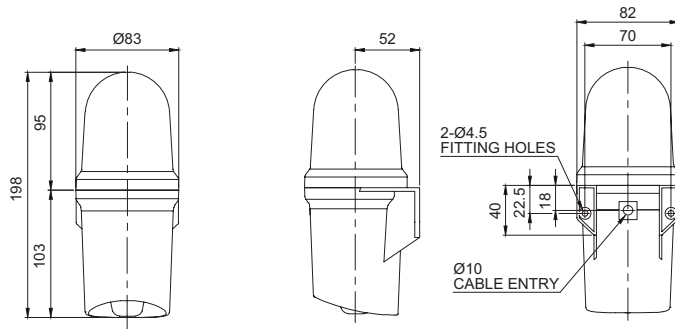
QAD Series



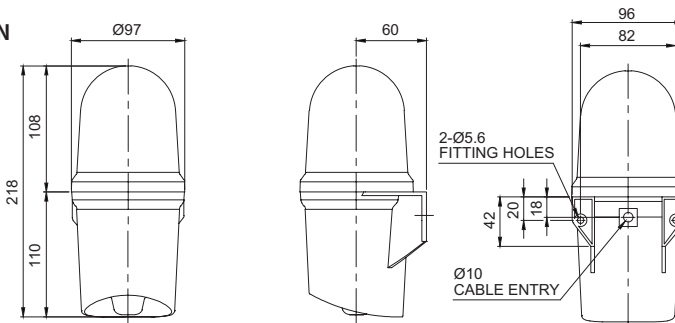
Technical Diagram

Units: mm

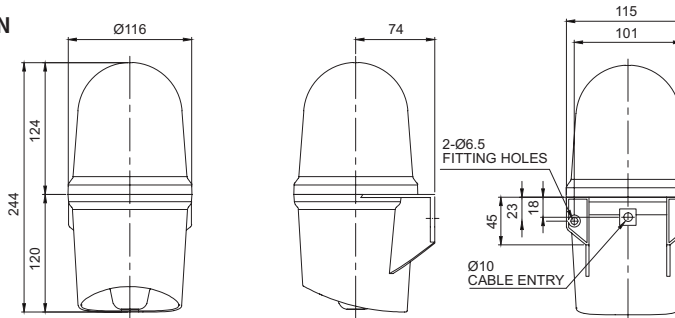
·QAD80H



·QAD100H / QAD100H-N

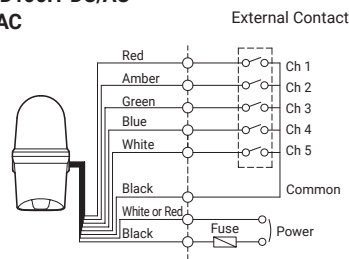


·QAD125H / QAD125H-N

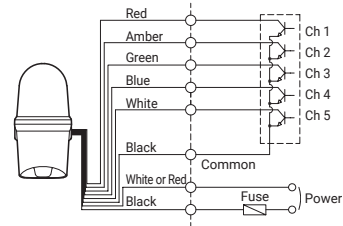


Wiring Instructions

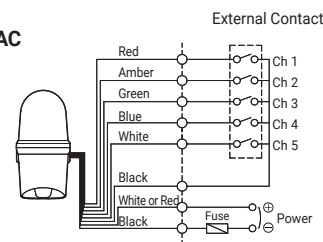
·QAD80H-DC / QAD100H-DC/AC
·QAD100H-N-DC/AC



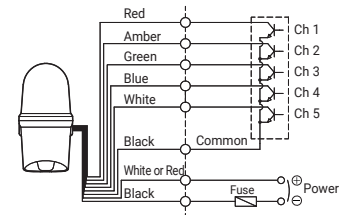
External transistor-NPN



·QAD125H-DC/AC
·QAD125H-N-DC/AC



External transistor-NPN



- External Power line - UL1015 AWG18(0.75sq) x 2C 400mm
- External signal line - UL1007 AWG22(0.3sq) 400mm
- This product can be wired regardless of polarity(QAD80H / QAD100H only).
- In case of Bit input, 5 sound tones can be played. For Binary input, 30 sound tones can be played.
- ※ Please refer to [Sound pattern and combination for multifunctional product] on this catalogue for channel input setting(Wiring instruction is replaced to channel selection switch)