



**Q80L**



**Q80LW**

Wall mount type models allow for contained and tidy wiring with no exposed wires.



### Common Specifications(Q80L/ Q80LW/ Q80LP)

- Small-sized signal light of 80mm with attractive appearance
- Shock and vibration-resistant, maintenance reduced with long-lasting energy-efficient LED light bulb
- Selectable mounts available depending on your application environment (direct mount, wall mount, pole mount)
- Materials : Lens-PC, housing-ABS, mounting bracket-PC
- Features high visibility with special diffusive lens and direct LED light distribution system
- Built-in buzzer available (Volume : Max 80dB at 1m)
- Built-in switches for steady and flashing light function mode
- Flashing rate : 60-80 flashes/min
- Ambient operating temperature : -30°C to +50°C
- Protection rating : IP65
- Certificates : CE Compliant, UL Listed
- Compliant with RoHS directive

Model number	Voltage	Current	Certificates	Weight	Color
Q80L Q80LW Q80LP	DC12V-24V	Max 0.190A	 DC only	• Q80L-0.15kg • Q80LW-0.57kg • Q80LP-1.09kg (Weight Above Include QZ24)	• R-Red • A-Amber • G-Green • B-Blue
	AC110V-220V	Max 0.052A			

- ※ DC type model has a free-voltage range of 10V-30V.
- ※ AC type model has a free-voltage range of 100V-240V.



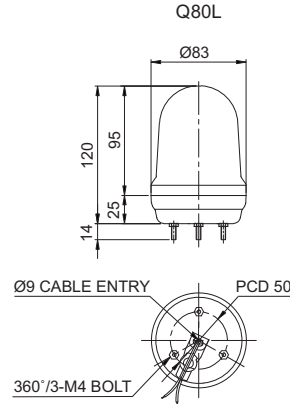
### Q80L Direct Mount LED Steady/ Flashing Signal Light

- Direct mount type with the three bolts/screws located on the bottom of the product



#### Technical Diagram

(Units : mm)



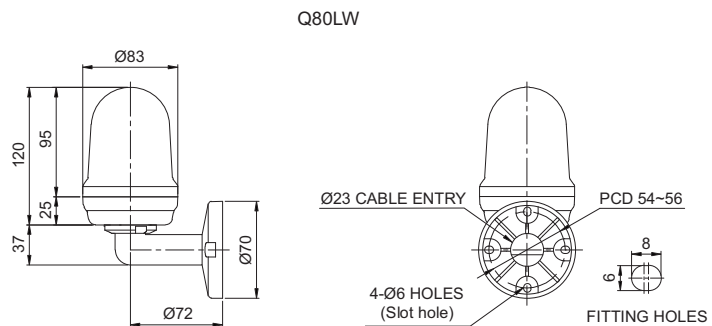
### Q80LW Wall Mount LED Steady/ Flashing Signal Light

- Wall mount type with the bracket equipped



#### Technical Diagram

(Units : mm)





**Q80LP**

The picture for QZ24 equipped



**LED Light diffusion shape of direct light distribution**

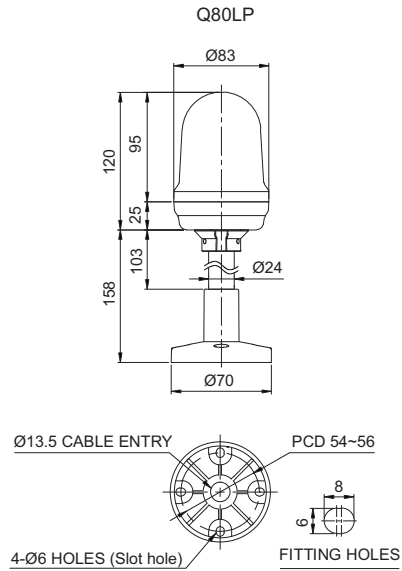
High visibility with special diffusive lens and direct high brightness LED light distribution system.

### **Q80LP Pole Mount LED Steady/ Flashing Signal Light**

- Pole mount type
- Various mounting options are available

#### **Technical Diagram**

(Units : mm)



#### **Wiring Instructions**

- External power line standard : UL1015 AWG18(0.75sq)×2C 400mm
- Product can be wired regardless of polarity

#### **Mounting Bracket**

Standard	QZ24	SZ24	SL24	QLA24
Steel	PC	Al	Al	PC

※ Please refer to page34-39 for detailed dimension of mount bracket.

#### **Customization**

- Customized pole length available

#### **Ordering Specification**

<b>Q80LP</b>	-	<b>BZ</b>	-	<b>12/24</b>	-	<b>R</b>	-	<b>QZ24</b>
[Model number]		[Buzzer option]		[Voltage]		[Color]		[mount bracket]
<ul style="list-style-type: none"> <li>• Q80L</li> <li>• Q80LW</li> <li>• Q80LP</li> </ul>		<ul style="list-style-type: none"> <li>• None</li> <li>- No buzzer</li> <li>• BZ</li> <li>- Built-in buzzer</li> </ul>		<ul style="list-style-type: none"> <li>• 12/24</li> <li>-DC12V-24V</li> <li>• 110/220</li> <li>-AC110V-220V</li> </ul>		<ul style="list-style-type: none"> <li>• R-Red</li> <li>• A-Amber</li> <li>• G-Green</li> <li>• B-Blue</li> </ul>		<ul style="list-style-type: none"> <li>• None</li> <li>- Standard</li> <li>• Bracket</li> <li>- QZ24</li> <li>- SZ24</li> <li>- SL24</li> <li>- QLA24</li> </ul>



Signal & Electric Horn/Speakers



Vessels and Heavy-Duty Equipment



Explosion Proof



Warning Light Bar



Aviation Obstruction Lights



Signal Tower Lights



USB/ETN Signal Tower Lights



Wireless Network System



Electric Horn/Speakers



Industrial LED Lights