

70mm multi-colored LED tower light (single lens)



MENICS
SIGNALTECHNOLOGY

LED 70
PY7M
Tower Light

Steady, Flashing, Buzzer
mm
Series



Product Features

Helps reduce the costs of installation by reducing the space needed to emit seven color signals in a single tower light. It is very efficient to fabricate the entire upper LED display part transparently and smoothly, minimize the adsorption of water and dust, and to maintain it, and also the LED display state transmitted through the internal lens is visible visibility It is very good.

- Fixing method of 6 products
- 3 body colors (ivory, black, silver paint)
- RGB color products - 7 color combinations available
- Buzzer tone: Cintermittent sound
- Variety power specifications

User Manual

Thank you for purchasing Menics product.
For the proper and safe use of this product, please read and fully understand this manual before use.

Instructions for safety

* Instruction for safety is made to prevent accidents or risks in advance by using the product safely and correctly and be sure to observe it.

* Instructions are divided into two categories as "Warning" and "Attention" and they are as follows.

Warning If instruction is violated, there is the possibility of serious injury or death.

Attention If instruction is violated, there is possibility of minor injury or damage on the product.

* The meaning of the picture symbols used in the product and User manual are as follows.

Attention is the sign meaning attention needs to be paid because there is the concern of risk occurrence under certain condition.

Warning

1. In case it is used for the machines which make greater impact on life or property (e.g. nuclear power control, medical equipment, railroad car, aerospace, combustion equipment, recreation equipment, etc. or safety devices), make sure to attach safety device bifariously before use.

There is the possibility of causing huge losses resulted from fire, personal injury and property damage.

2. Do not disassemble and renovate the product. Please contact the head office or regional office for internal inspection or repair.

There is the risk of causing fire, electrical shock and product damage.

3. While power is on, do not make wiring, maintenance or repair.

There is the danger of electrical shock.

4. Rated voltage range must be kept for the power input voltage.

There is the danger of fire or electric shock.

5. Before power on, make sure to check whether connection is made correctly.

There is the danger of fire, electrical shock or product damage.

6. Do not use the product in the area such as outdoor and explosion hazard, flammable gas, watery area, near to flammable material.

There is the danger of fire, electric shock or injury.

Attention

1. Make sure that there is nothing blocking the flow of air circulating.

There is the danger of deformation and product damage caused by heat.

2. When the product is in operation, do not touch the product for a while.

There is the danger of burn.

3. In case abnormality happens to the product, unplug the input power connection immediately. There is the danger of fire or product damage.

4. Do not use in places with severe vibration.

There is the danger of product damage.

5. When cleaning, do not use water, organic solvent and clean with towel with out moisture.

There is the danger of electric shock or fire.

Installation

- Take steps to prevent water from entering into the internal wiring terminal block before installation.
- For PY7MP/PY7ML series, do not install in the reverse direction or the parallel direction.
- Install vertically (forward) in sufficient strength and in the place of low vibration.
- Mount on a metal surface to get reliability of the product.
- For buzzer type, avoid if possible placing in the place with a lot of moisture or dust.
- Mount in the place of well-ventilated to improve the heat dissipation effect.

1. Product model classification

PY7M P - Z 0 2 - R B G - B

① ② ③ ④ ⑤

1. Product mounting method

- P** Aluminium pipe + Fixation using aluminum mounting base
- M** Secure the product body directly onto the control panel (1/2" NPT) with a plastic nut
- G** Two surface mounts on the body ensure that the body is fixed directly to the control panel
- L** Directly fasten aluminum pipe with screws - Using nut (M20)
- R** Aluminum pipe + Aluminum rotating type (180 degrees) mounting base
- A** Aluminum pipe + Plastic rotation type (90 degrees) mounting base

2. Light style

- Steady
- B** Steady + Buzzer
- F** Steady + Flashing
- Z** Steady + Flashing + Buzzer

3. Power supply

- 02** 24VDC
- FF** 110 ~ 220VAC

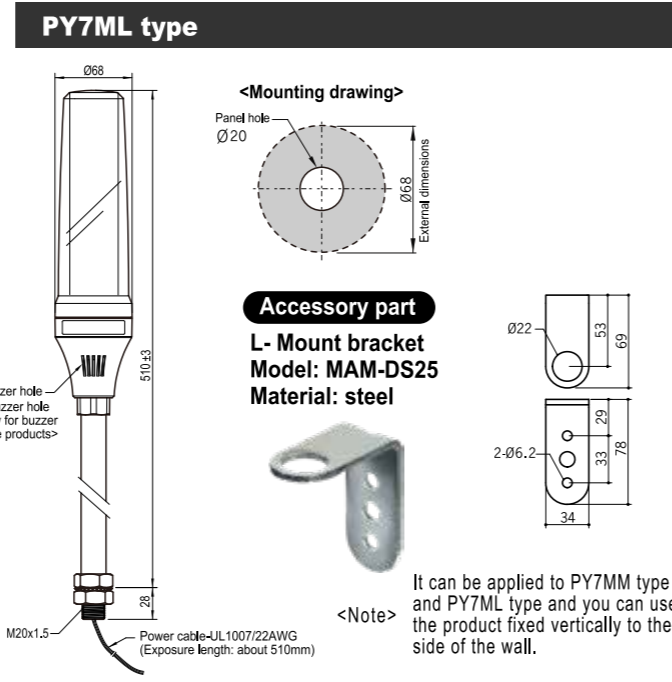
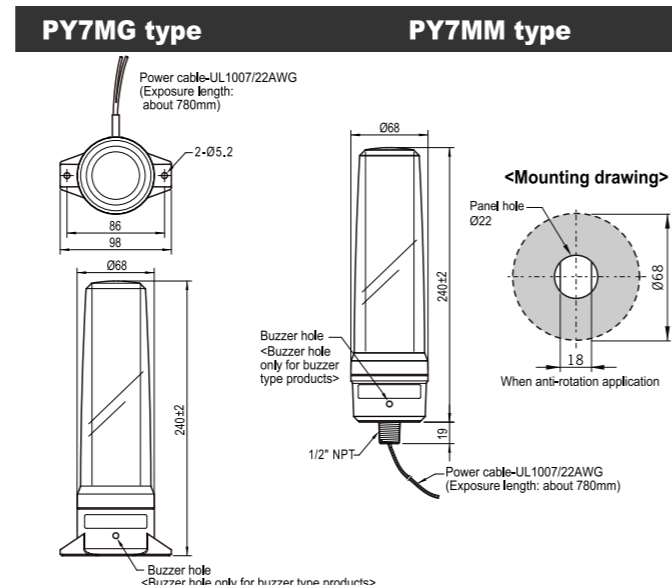
4. LED colors

- R B G** Red+Blue+Green
- R Y G** Red+Yellow+Green

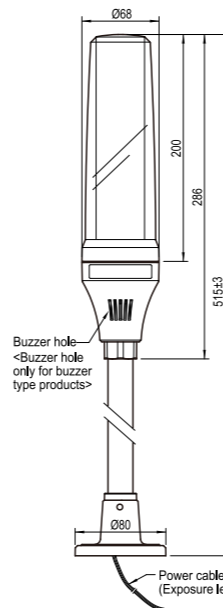
5. Body color

- I** Ivory
- B** Black
- C** Silver matte coating

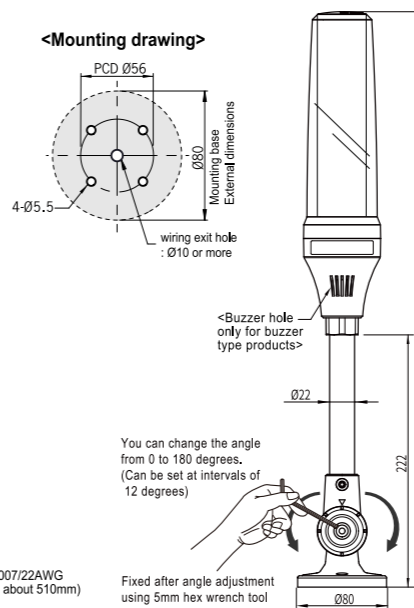
2. Dimensions (unit: mm)



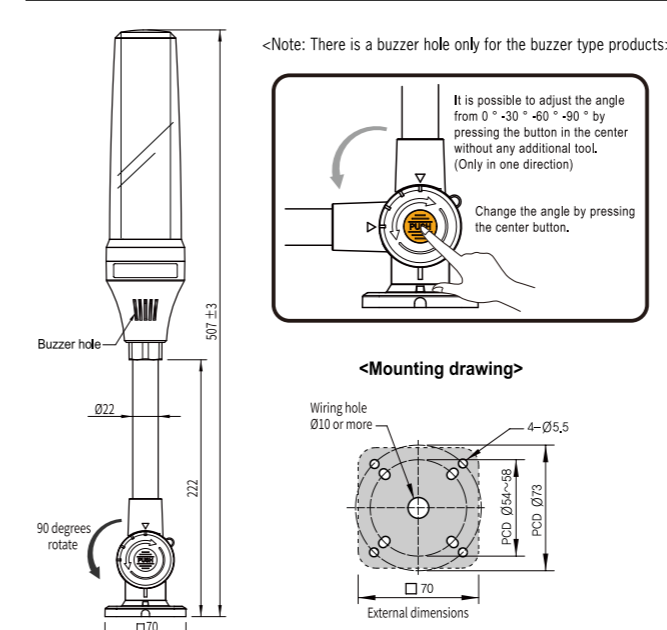
PY7MP type



PY7MR type



PY7MA type



3. Specifications

Function	Steady, Flashing	Withstand voltage	500VAC 50 / 60Hz for 1 minute
Power supply	24VDC , 110~220VAC(50~60Hz)	Insulation resistance	100MΩ or more (500VDC Megger basis)
Allowable voltage range	24VDC: 21.6~26.4VDC 110~220VAC: 100~240VAC	Vibration resistance	10 ~ 55Hz (1 min.cycle) Double amplitude 0.75mm X, Y, Z
Flash rate	24VDC 110~220VAC 70±5/min	Wiring spec	UL1007 / 22AWG
Buzzer level	Intermittent sound: 75±5dB (at 1M)	Protection rating	IP65 (with Buzzer type: IP62)
Lens color	Transparent (inner and outer) - PC Resin	Certification	UL(Only 24V), RoHS
Product fixation	Vertical only	Weight (DC type)	PY7MP type: app. 555g PY7ML type: app. 520g PY7MG type: app. 320g PY7MM type: app. 310g PY7MR type: app. 560g PY7MA type: app. 530g
Connection method	Exposed wire connection method	Note: Life of the LED may vary depending on operating conditions and environment	
Ambient temperature	-20 ~ 40°C		
Storage temperature	-20 ~ 70°C		
Operating humidity	45~85% RH		

MENICS
SIGNALTECHNOLOGY

118-1, Ungbigongdan-gil, Yangsan-si, Gyeongsangnam-do, Korea, 50524
TEL : 82-55-371-5200
http://www.menics.co.kr

4. Current consumption (RMS±10%)

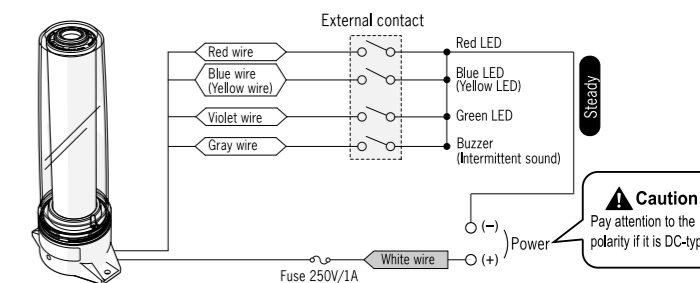
LED Color	24VDC		110~220VAC	
	General type	Buzzer type	General type	Buzzer type
RYG Products	0.20A	0.22A	0.04~0.09A	0.05~0.09A
RBG Products	0.22A	0.23A	0.05~0.10A	0.06~0.10A

5. Wiring diagram

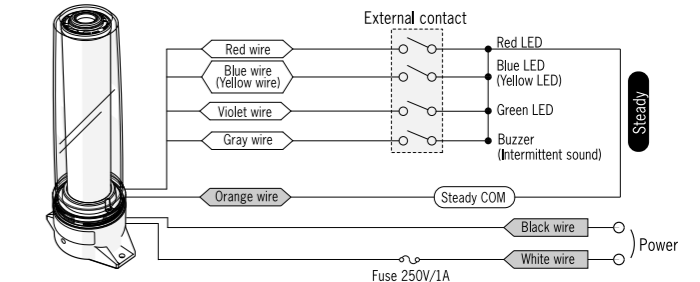
Caution

- Do not fail to disconnect the power supply before wiring connections. It can cause electric shock.
- Use only specified operating voltage range. Excess voltage hastens degradation.
- Make sure to set fuse in a power supply side, please connect a fuse.
- When you use this product for security purpose, routine inspection must be done.
- Do not contact or connect orange or skyblue wire (COM) to the white or black wire. It may cause product damage.

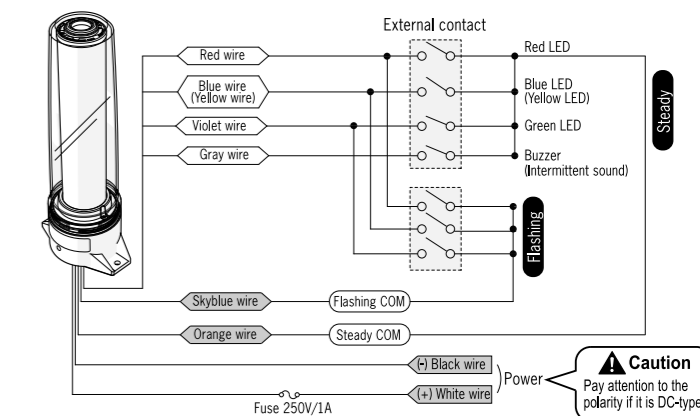
Steady+Buzzer 24VDC



Steady+Buzzer 110~220VAC



Steady+Flashing+Buzzer 24VDC 110~220VAC



Caution

- Do not pull strongly the exposed wire cable of the product. There is a danger of damage to the internal circuit.
- Before using the product, be sure to use unused wire cables after removing (disconnecting) to prevent short circuit.
- There is a danger of electric shock or breakdown.

RBG LED color chart

No	Wiring	LED Color
1	Red wire	Red
2	Violet wire	Green
3	Blue wire	Blue
4	Red + Violet wire	Yellow
5	Red + Blue wire	Pink
6	Violet + Blue wire	Cyan
7	Red + Violet + Blue wire	White

* Dimensions and performance of the product are subject to change without notice to improve the product.