

# PTD Series D56mm LED Dome Head Tower Light



Dome shape LED Signal Light featuring enhanced visibility and maintenance free operation.



### Feature

- LED modular components
- Bright & even light distribution through prism-cut lenses
- Fast & easy assembly with inter-locking construction
- 6 mounting options
- IP65 rated
- RoHS compliant

### Ordering Information

PTD - A P F - 1 02 - R - B (V)

① ② ③ ④ ⑤ ⑥ ⑦ ⑧

\* Options

#### 1. Body Unit

<b>S</b>	Flat Based Body	Code7	<b>C</b>
<b>A</b>	Pole Mount Standard Body	Code7 + Code10	<b>G/P/R/M/W/D</b>
<b>D</b>	Short Body	Code6	<b>P/R/M/W/D</b>
<b>L</b>	Small Surface Body	Code17	<b>C</b>

Apply to Mounting style	
<b>C</b>	
<b>G/P/R/M/W/D</b>	
<b>P/R/M/W/D</b>	
<b>C</b>	

Note: "D", "L" Type - Power Supply 24VAC/DC Only

#### 2. Mounting Style

<b>C</b>	Surface Mount	Code 18
<b>G</b>	Plastic mount base (MAM-B070F)	Code 8 + Code 16
<b>P</b>	Pole + Plastic mount base (MAM-B070D)	Code 8 + Code 11
<b>M</b>	Pole + Plastic M20 screw mount base (MAM-I025)	Code 8 + Code 9
<b>W</b>	Pole + Wall Mount Bracket (MAP-DS40)	Code 8 + Code 12
<b>D</b>	Pole + Aluminum Pole mount base (MAM-DS32)	Code 8 + Code 22

#### 3. Light Style

	Steady Light
<b>F</b>	Steady + Flashing Light

#### 4. Number of Stacks

<b>1</b>	1 Stack
----------	---------

#### 5. Power Supply

<b>02</b>	24VAC/DC
<b>FF</b>	90 ~ 240VAC

#### 6. LED Colors

<b>R</b>	Red	
<b>Y</b>	Yellow	
<b>G</b>	Green	1 Color
<b>B</b>	Blue	
<b>C</b>	Clear	
<b>RYG</b>	Red, Yellow, Green	3 Colors in 1
<b>RGB</b>	Red, Green, Blue	

Note: '3 Colors in 1' type Lens color --> Clear

#### Options

##### 7. Body Color

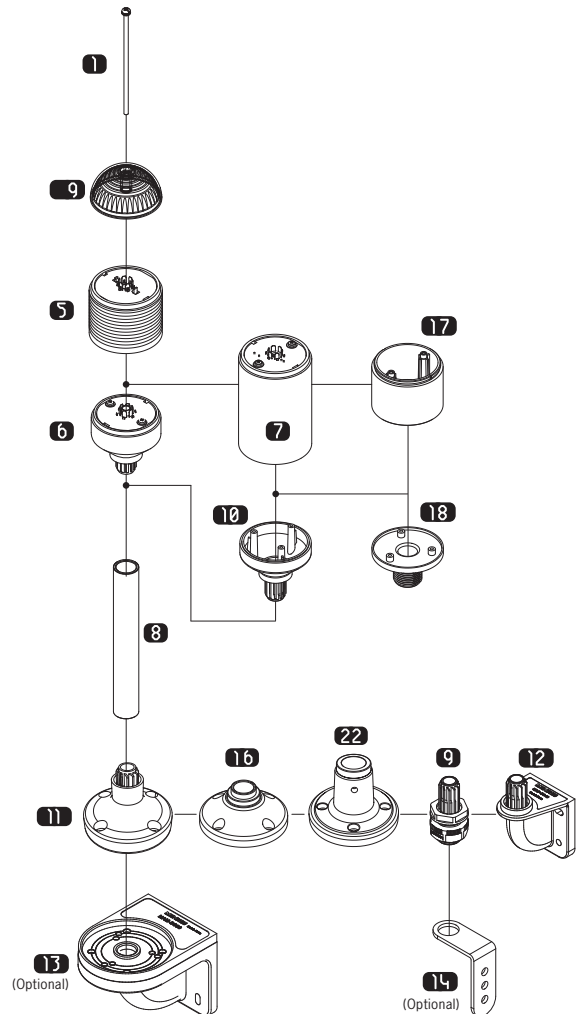
<b>B</b>	Black
----------	-------

Note: Standard Body Color - White Ivory

##### 8. Light Style

<b>(V)</b>	Continuous Flashing Flashing Cycle: (240times/minute)
------------	---

### Exploded View / Part Code



See Page 56 ~ 58 for Mounting Options and Accessories.

## Specifications

### Body Units

Operation/Function	Steady, Flashing
Power Supply	24VAC/DC, 90 ~ 240VAC (50/60Hz)
Lens Colors	Red, Yellow, Green, Blue & Clear
Lens Diameter	56 mm (2.2 inch)
Maximum Tier	1
Flash Rate (±10%)	80times/minute, 240times/minute (option 'V' type)
Vibration	0.75mm at 10~55Hz
Ambient Temperature	-15 to 40°C
Storage Temperature	-20 to 70°C
Ambient Humidity	45~85% RH
Degree of Protection	IP65
Approvals	UL, CE, RoHS
Recommended Wire Size	1007UL / 22AWG

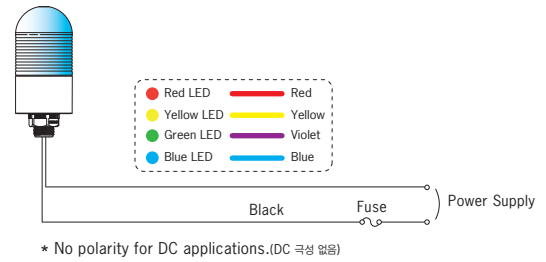
### Current consumption

LED Color	24VAC	90~240VAC
1 Color (R/Y/G/B/C)	65mA	32mA (Maximum)
3 Colors in 1	R/Y/G R/G/B	60mA (Maximum)
Weight	Standard Module: App. 53g	

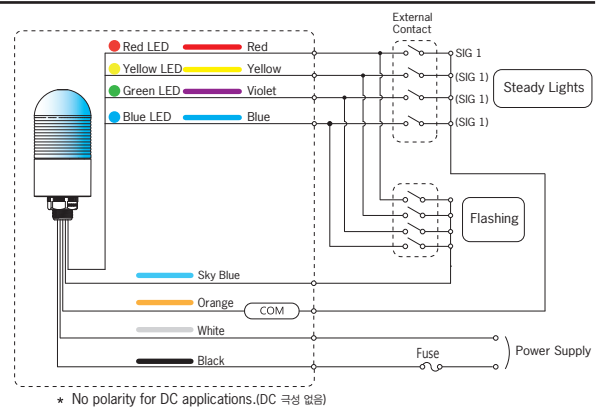


## Wiring Diagram

### 24VAC/DC, 90 ~ 240VAC Steady Lights

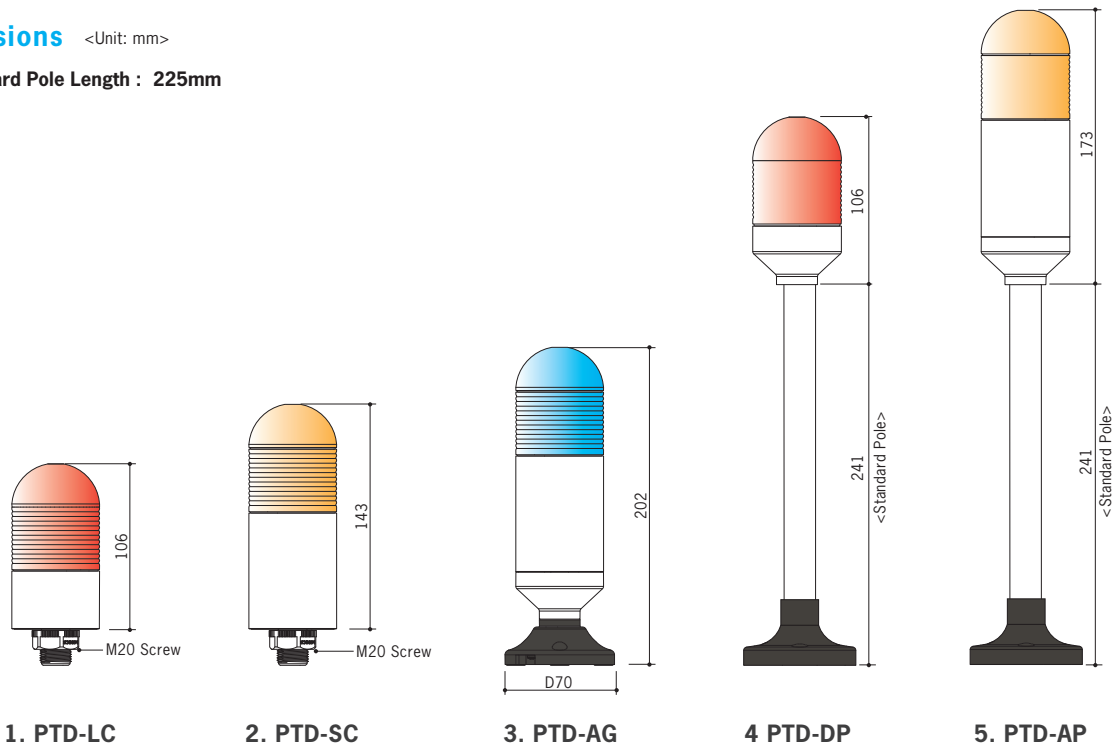


### 24VAC/DC, 90 ~ 240VAC Steady or Flashing Lights



## Dimensions <Unit: mm>

▶ Standard Pole Length : 225mm



※ The above specifications are changeable at anytime without notice.

