

MT5C/8C Series D56/D86mm Bulb Type Tower Light(Steady, Flashing, Buzzer)



Multi-layer tower light that features an outstanding vibration resistance and a long service life.



Ordering information

MT 5C 3 A L G B - RY G

① ② ③ ④ ⑤ ⑥ ⑦

① Product Diameter & Light Style

5C	56mm type - Steady + Flashing + Buzzer
8C	86 mm type - Steady + Flashing + Buzzer (*note)

*NOTE: 8C is mounted on G type only

② Number of Stack

1	1 Stack	4	4 Stacks
2	2 Stacks	5	5 Stacks
3	3 Stacks		

③ Power Supply

A	24VAC/DC
B	110VAC
C	220VAC

④ Connection

L	Lead Wire type
---	----------------

⑤ Mounting Type

G	Plastic mount base
P	Aluminum Pole + Plastic mount base
M	M20 Screw Aluminum Pole mount

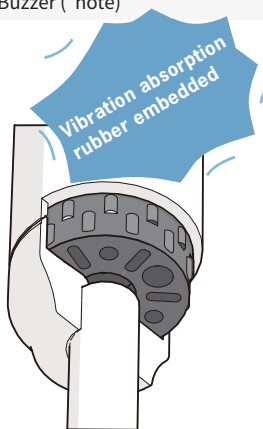
The unique vibration absorbing structure using new material reduces vibration and impact from all machines and devices, greatly extending bulb life.

⑥ Buzzer Option

No mark	Non Buzzer
B	Buzzer

⑦ Lens Color (Top to Bottom)

R	Red	B	Blue
Y	Yellow	C	Clear
G	Green		



Product Feature

- Selectable Steady or Flashing Modes
- Prism-cut lenses for even light distribution
- Surface, Pole or Wall Mounted
- Add-on Buzzer (80dB) kit available
- IP54 rated

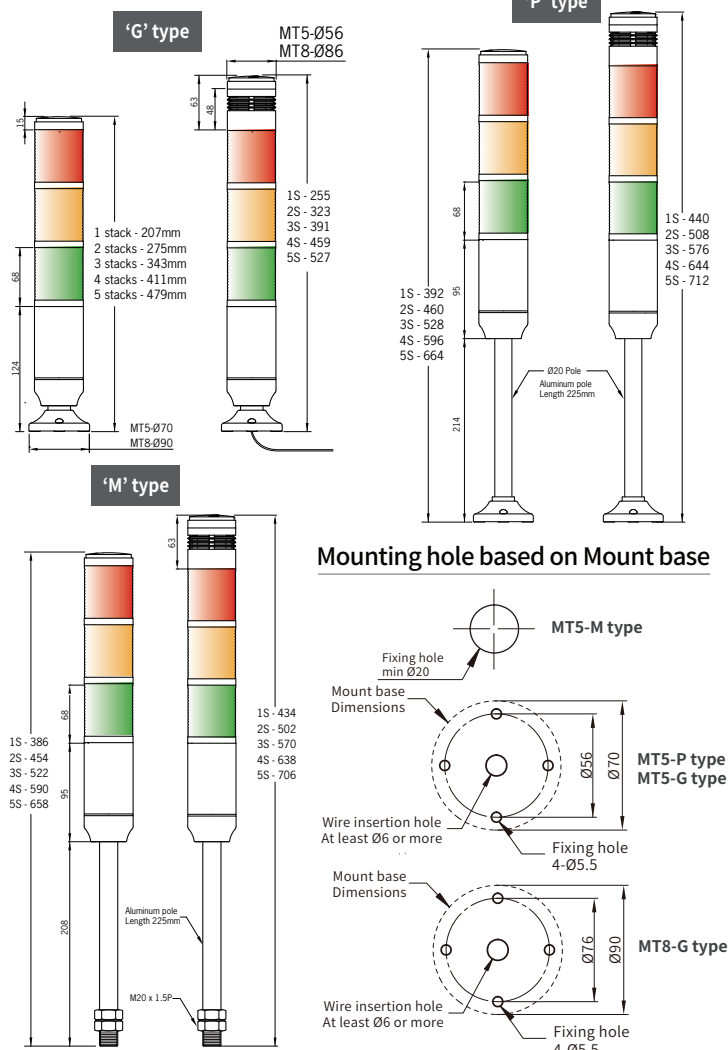
Specifications

Function	Steady + Flashing + Buzzer
Maximum stacked quantity	May be ordered as 1, 2, 3, 4 or 5 Stacks
Lens color	Red / Yellow / Green / Blue / Clear
Protection structure	IP 54 / IP 50 (with Buzzer)
Buzzer volume	80±5dB (1M)
Flashing rate	80±10times / minute
Wire size	UL3266/22AWG
Approval	UL, CE, RoHS

Current Consumption (RMS value ±10%)

Power supply		1stack	2stacks	3stacks	4stacks	5stacks
24V	General	0.4A	0.8A	1.3A	1.7A	2.0A
	Buzzer	0.43A	0.83A	1.33A	1.73A	2.03A
110V	General	0.09A	0.18A	0.27A	0.36A	0.45A
	Buzzer	0.12A	0.21A	0.30A	0.39A	0.48A
220V	General	0.04A	0.08A	0.12A	0.16A	0.20A
	Buzzer	0.07A	0.11A	0.15A	0.19A	0.23A

Dimensions <Unit: mm>



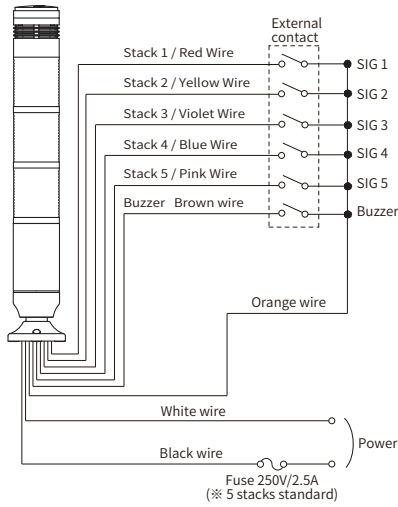
► MT5C/8C Bulb Replacement Parts

	Energy Used: 10 watt	Input Voltage	Bulb	Part no.
	Base Type: Double Contact (BA15D)	12V type	12V 10W	MAM-T15-D-012-10
	Color / Finish: Clear	24V type	24V 10W	MAB-T15-D-024-10
	Length: 45mm Width: 16mm	110V type	120V 10W	MAB-T15-D-120-10
		220V type	240V 10W	MAB-T15-D-240-10

MT5C/8C Series

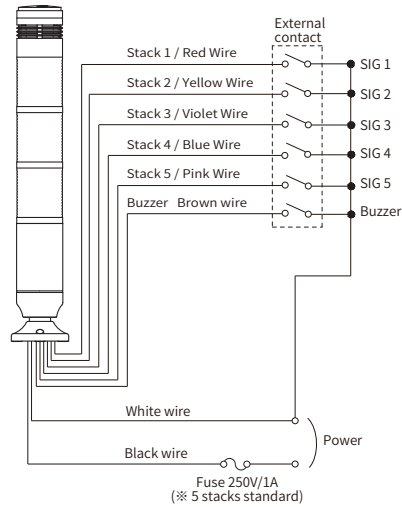
24VAC/DC

Steady / Flashing / Buzzer

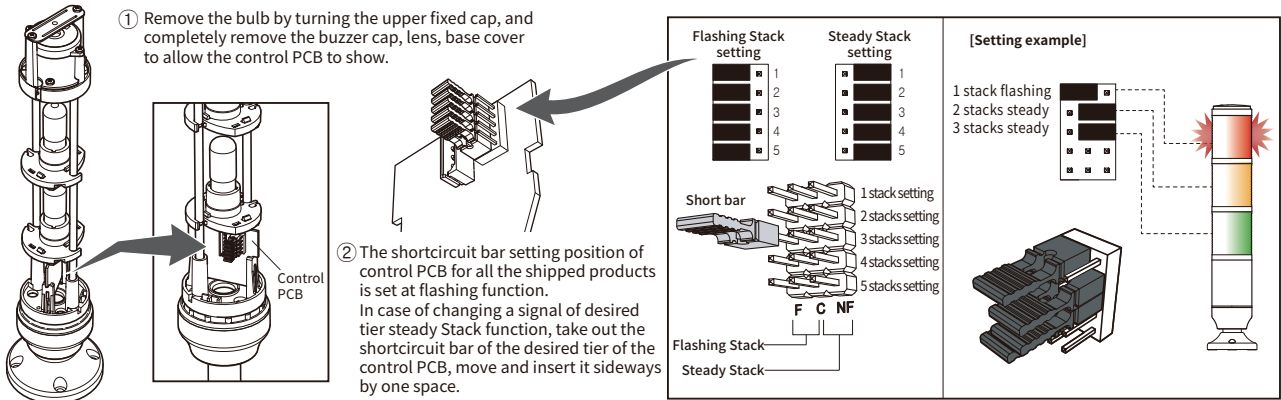


110VAC, 220VAC

Steady / Flashing / Buzzer



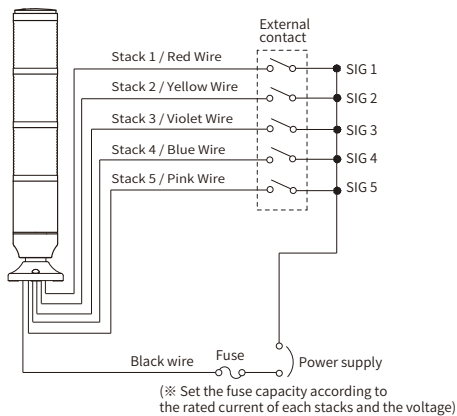
▶ MT5C/8C Series Steady/Flashing lights Changing Method



MT4B/5B/8B Series

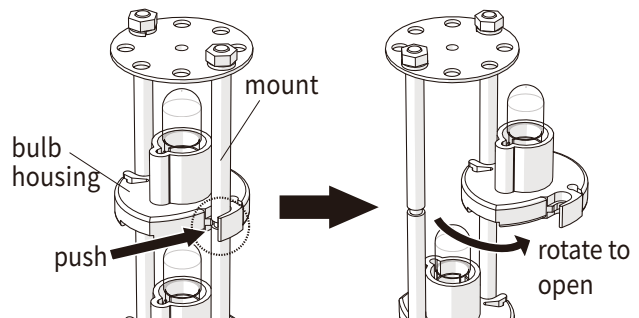
12VAC/DC, 24VAC/DC, 110VAC, 220VAC

Steady



MT4B-Bulb Replacement Method

Push to open the bulb housing fixed inside the mount groove using hands or tools. This allows easily replacing the bulb.



Optional Parts

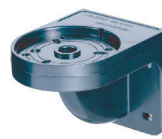
Wall Mounting Bracket



apply MT4/5-G/P type only
MAM-DS28
Steel



apply MT4/5-M type only
MAM-DS25
Steel



apply MT4/5-G/P type only
MAP-DS30
Plastic



apply MT8-G type only
MAM-DS28
Steel

See Page 80 ~ 81 >> for Mounting Options and Accessories.