

Please read and save these instructions. Read carefully before attempting to assemble, install, operate or maintain the product described. Protect yourself and others by observing all safety information. Failure to comply with instructions could result in personal injury and or property damage. Retain instructions for future reference.

# MS56L Series 56mm LED Signal Light



## Description

Eye-catching indicators with long-life Red, Yellow, Green, Blue, or White LEDs.  
Compact LED warning light featuring enhanced illumination.  
Ideal for use with conveyors and electrical control panels.

- Steady + Flashing light, Rotating light
- Rotation speed adjustment
- Power: 12, 24V AC/DC or 110V, 220V AC
- M20 plastic nut panel mounting



## Safety Caution

- ※ Always observe rules of "Safety Caution" for safe and correct use of products and for prevention of accident or danger.
- ※ "Safety Caution" is divided into two categories, i.e., 'caution' and 'warning', details of which read as below.

<b>Warning</b>	Possibilities where incorrect use or violation of instructions may result in serious personal injury or even death
<b>Caution</b>	Possibilities where incorrect use or violation of instructions may result in minor personal injury

- ※ Meaning of symbols described on products and Instruction Manual is as follows.
- ▲ is a symbol cautioning that a danger may occur under a particular condition.

### Warning

- Always attach a dual safety device on life or property-affecting devices (e.g., atomic control, medical devices, automotive vehicles, railway vehicles, airplanes, combustion devices, amusement devices or safety devices) before use. (Fire, personal injury, serious property loss may occur.)
- Do not disassemble or alter the product. Contact us for service related functions including inner inspection and repair. (Fire, electrocution and product damage may occur.)
- Avoid wiring, inspecting and repairing while power is being supplied. (Electrocution may occur.)
- Always use rated input voltage, and use a standard electric cord for each product. (Fire and electrocution may occur.)
- Always check if an electric connection is proper before applying a power source. (Fire, electrocution and product damage may occur.)
- Avoid using an excessive electricity higher than rated voltage. (Fire and product damage may occur.)
- Avoid using the product outdoors, at explosion-prone places, at places near inflammable substances, water, combustible substances and vibration. (Fire, electrocution and personal injury may occur.)

### Caution

- Do not disassemble, repair, or modify the product, otherwise severe accidents may result, such as electric shocks, damage, fire, or malfunction.
- Do not pull out or push in the cable of the product, otherwise damage may result. Give slack to the cable while wiring.
- Turn off the power to the product before mounting, dismantling, wiring, and assembling the LED unit. Make sure of correct wiring, otherwise electric shocks or fire may result.
- Do not place obstacles obstructing ventilation near product. (Product damage or product deformation may occur due to heat.)
- In case abnormality happens to the product, unplug the input power connection immediately. (There is the danger of fire or product damage.)
- Avoid using at a place of high vibration level. (Product damage may occur.)
- Avoid using water or detergent when cleaning, and clean with dry cloth. (Electrocution may occur.)

※ Exterior look and performances are subject to change without prior notice for improvement of products.

## Model No. Configuration

**MS56L - F 0 2 - R**

①      ②      ③

### 1. Light Style

No mark	Steady	01	12VAC/DC
<b>F</b>	Steady + Flashing	02	24VAC/DC
<b>R</b>	Rotating	10	110VAC
		20	220VAC

### 2. Power supply

### 3. Lens Color

<b>R</b>	Red	<b>B</b>	Blue
<b>Y</b>	Yellow	<b>C</b>	Clear(White)
<b>G</b>	Green		

## Specifications

Function	LED Steady, Flashing, LED Rotating		
Power supply	12VAC/DC±5% , 24VAC/DC±5% 110VAC±10% , 220VAC±10% (AC 50/60Hz)		
Dimension	56mm		
Flashing function	Internal PCB board dip switch control		
Rotating function	Internal PCB board volume control (min40~max300±10%/rpm)		
Lens color	Red, Yellow, Green, Blue, Clear		
Material	Lens-PC resin , Base-ABS resin		
Vibration	0.75mm at 10~55Hz		
Ambient temperature	-15 to 40°C	Storage ambient temperature	-20 to 70°C
Ambient humidity	45~85% RH	Protection structure	IP65
Approvals	CE, RoHS	Wire size	UL1007/22AWG
Weight	Approx.66g		

### Flashing per Minute (±10%)

Voltage	AC Power	DC Power	Voltage	AC Power
12V	110times	60times	110V	80times
24V	80times	80times	220V	80times

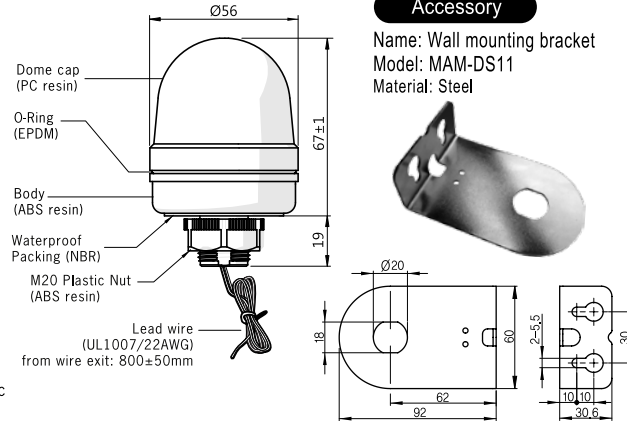
### Current Consumption (±10%)

Steady	12VAC	24VAC	110V/220VAC	Rotating	12VAC	24VAC	110V	220V
	0.1A	0.12A	0.03A		0.13A	0.07A	0.03A	0.04A

(Note) 12V/24VDC Current Consumption: 0.06A

(Note) 12V/24VDC Current Consumption: 0.06A

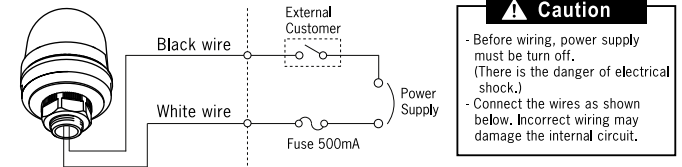
## Part name and Dimensions (unit: mm)



### Accessory

Name: Wall mounting bracket  
Model: MAM-DS11  
Material: Steel

## Wiring example

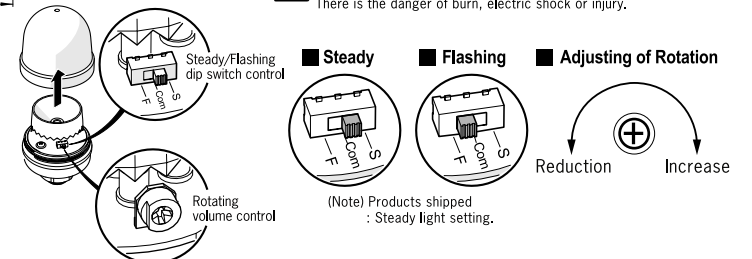


### Caution

- Before wiring, power supply must be turn off. (There is the danger of electrical shock.)
- Connect the wires as shown below. Incorrect wiring may damage the internal circuit.

## Feature setting

▲ When adjusting operating area while using the display light, do not hold the LED area directly by hand after removing the lens. There is the danger of burn, electric shock or injury.



## Installation dimensions (unit: mm)

