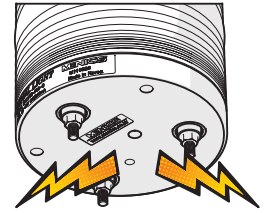


MS115T Series Multi-functional D115mm LED Steady/Flashing/Rotating Signal Light



LED Strobe Light of High Brightness, Excellent Visibility from a Distance. Improving Visibility by Employing Special Scattering Lens.



Min10 ~Max 100dB at 1m
(Adjustable volume)

- Extremely high light output using unique LED technology
- Wide light distribution with prism-cut dome-shaped lens
- Outstanding visibility at distance
- Flashing Cycles: 2 patterns (Selectable by a switch)
- Adjustable flashing or rotating cycles
- Built-in buzzer (adjustable volume)
- Red, Yellow, Green, Blue and Clear lens available

Ordering Information

MS115T - F 0 0 - R - L
① ② ③ ④

1. Light Style

F	Steady + Flashing
R	Steady + Flashing + Rotating
B	Steady + Flashing + Rotating + Buzzer

2. Power Supply

00	12 ~ 24VAC/DC
FF	90 ~ 240VAC

3. Lens Colors

R	Red	G	Green	C	Clear
Y	Yellow	B	Blue		

4. Base Body Style

	20mm Base Body	L	40mm Base Body
--	----------------	----------	----------------

Specifications

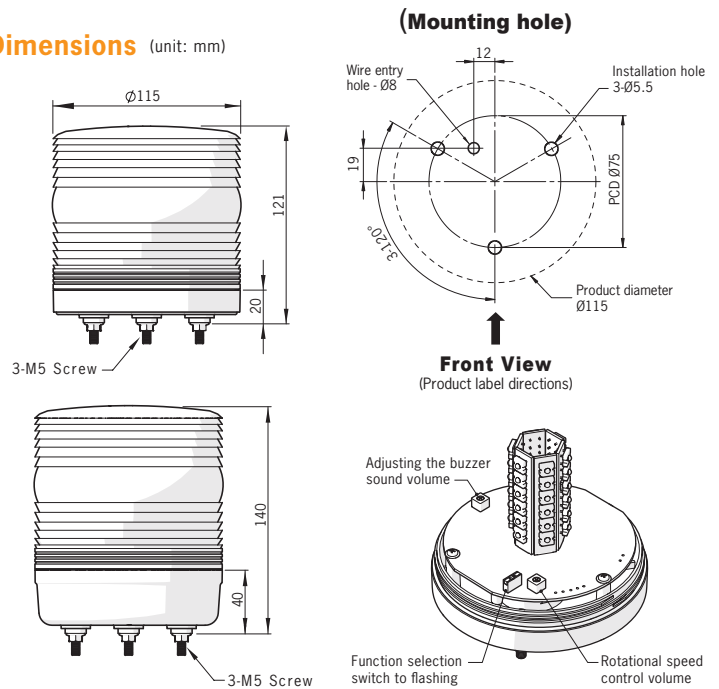
Operation/Function	Steady, Flashing, Rotating, Buzzer	
Power Supply	12 ~ 24VAC/DC, 90 ~ 240VAC	
Lens Diameter	115mm	
Materials	Lens: PC resin, Body: ABS resin	
Buzzer Sound Level	10 ~ 100±5dB (at 1m) volume adjustable	
Flashing Rate (Internal PCB board is dip switch controls)	F1: 80 flashes per minute ±10% F3: 240 flashes per minute ±10% (Emergency Signal lights)	
Rotating Rate	Min.60 ~ Max.300rpm±10% (Clockwise rotation)	
Feature set	Lead wire Connection	
Insulation Resistance	100MΩ minimum (500V DC megger)	
Ambient Temperature	-20 to 40°C (no freezing)	
Storage Temperature	-20 to 70°C (no freezing)	
Ambient Humidity	45 ~ 85% RH (no condensation)	
Degree of Protection	IP65	Vibration
Approvals	UL, RoHS	0.75mm at 10~55Hz
Recommended Wire Size	1007UL / 22AWG	
Weight	Approx. 360g	

Note: Life of the LED varies according to operating conditions and environment.

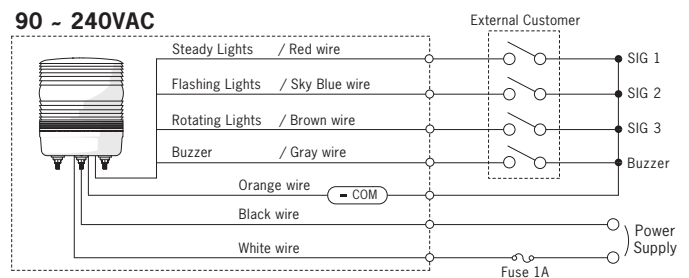
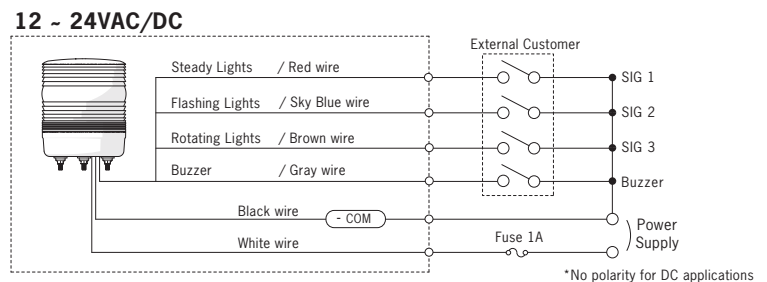
Current Draw (Maximum current consumption when LED is lit.)

Power Supply	Red	Yellow	Green	Blue	Clear	Buzzer
Curr (mA) 12 ~ 24V	370~540	370~530	150~245	370~540	150~240	150mA
90 ~ 240V	50~75	50~70	25~40	50~75	25~40	

Dimensions (unit: mm)

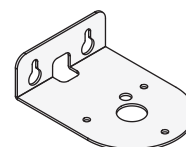


Wiring Diagram



Accessories

Wall Mount Bracket
MAM-DS29
Steel



* See page 56-58 for dimensions