

# MP8 Series D86mm LED Tower Light - Plastic Body type



High Brightness



The unique prism-cut globe provides wide radiance, high intensity, bright color and higher quality than other similar type products.

## Product Feature

- Menics Exclusive Hybrid Prism Cut Lens.
- Enhanced Illumination: Special high intensity illumination design.
- Installation: Base direct mount, Plastic Mount base
- Lens: Superior impact and heat resistant polycarbonate resin for superior durability and light transmission
- Available Colors: Red / Yellow / Green / Blue / Clear
- Mounting : Upright Only
- This product complies with the RoHS Directive

## Ordering information

**MP8 C - F 3 00 - RYG - B**

① ② ③ ④ ⑤ ⑥

### ① Mounting Type

C	Body direct fixed
G	Plastic mount base

### ④ Power Supply

00	12 ~ 24VAC/DC
FF	90 ~ 240VAC

### ② Light Style

No mark	Steady
F	Steady + Flashing
B	Steady + Flashing + Buzzer

### ⑤ Lens Color (Top to Bottom)

R	Red	B	Blue
Y	Yellow	C	Clear
G	Green		

### ③ Number of Stack

1	1 Stack	4	4 Stacks
2	2 Stacks	5	5 Stacks
3	3 Stacks		

### ⑥ Body Color

No mark	Ivory
B	Black

## Specifications

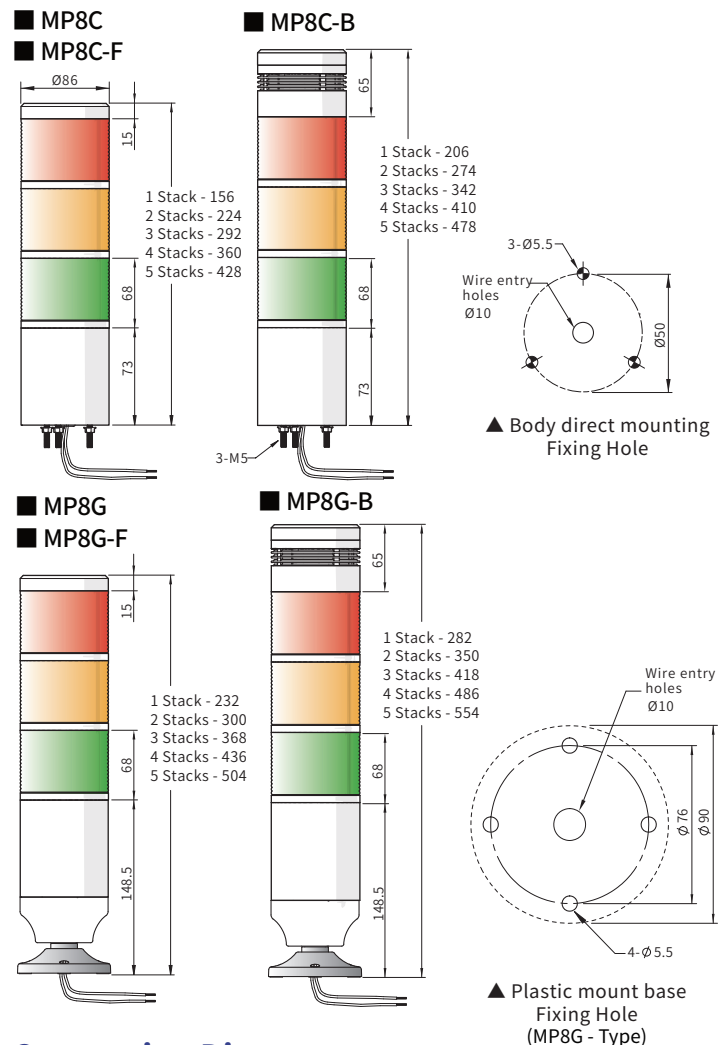
Dimension	86mm
Power supply	12~24VAC/DC, 90~240VAC (50/60Hz)
Function	Steady, Flashing, Buzzer
Lens Color	Red / Yellow / Green / Blue / Clear
Maximum stacked quantity	1 ~ 5 can be stacked
Mounting method	Body direct mounting, Plastic mount base
Flashing rate	80±10 times / minute
Buzzer volume	min 10 ~ max 100 ±5dB (at 1M), Volume adjustable
Body color	White / Black (option)
Ambient temperature	-15°C ~ 40°C
Storage ambient temperature	-20°C ~ 70°C
Ambient humidity	45~85% RH
Insulation resistance	100MΩ minimum (500VDC megger)
Vibration	0.75mm at 10~55Hz
Protection structure	IP65 / IP40 (with Buzzer)
Connection	UL1007/22AWG

Note : Life of the LED varies according to operating conditions and environment.

## Current Consumption

See Page 20 >> for Current Consumption

## Dimensions <Unit: mm>



## Connection Diagram

See Page 20 >> for Connection Diagram

## Optional Parts

### Wall Mounting Bracket



**MAP-DS30**  
ABS resin



**MAM-DS26**  
Steel



**MAM-DS28**  
Steel

See Page 80 ~ 81 >> for Mounting Options and Accessories.

# ML8 Series 86mm LED Tower Light - Aluminum Body type



High Brightness

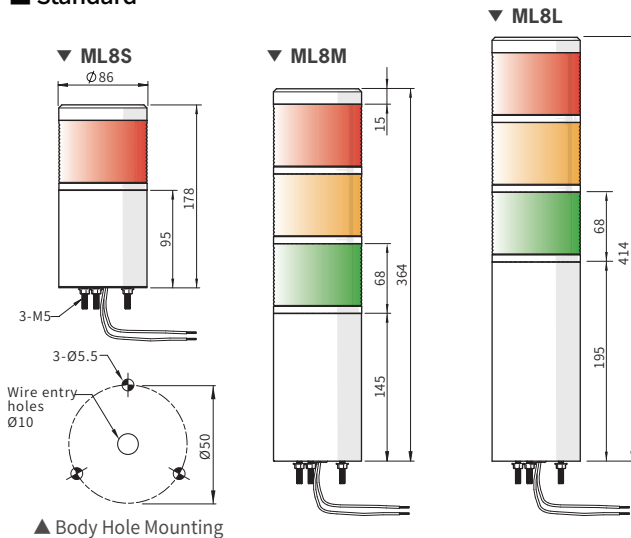
The ML8 Series are direct mounted LED Tower light with rust free aluminum body.

## Product Feature

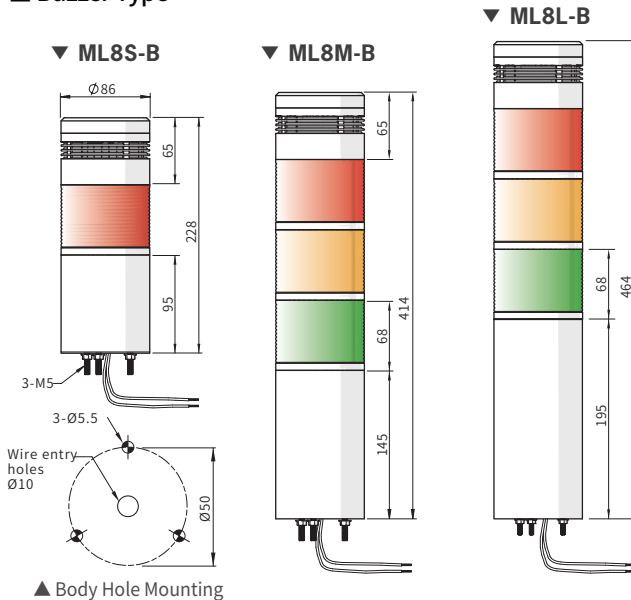
- Menics Exclusive Hybrid Prism Cut Lens.
- Enhanced Illumination: Special high intensity illumination design.
- Installation: Direct mount
- Main Body: Corrosion resistant anodizing aluminum.
- Lens: Superior impact and heat resistant polycarbonate resin for durability and light transmission
- Available Colors: Red / Yellow / Green / Blue / Clear
- 3 types of Body Length
- Mounting : Upright Only
- This product complies with the RoHS Directive

## Dimensions <Unit: mm>

### Standard



### Buzzer Type



### Product Length

	Model	1 Stack	2 Stacks	3 Stacks	4 Stacks	5 Stacks
Standard Type	ML8S	178	246	314	382	450
	ML8M	228	296	364	432	500
	ML8L	278	346	414	482	550
Buzzer Type	ML8S-B	228	296	364	432	500
	ML8M-B	278	346	414	482	550
	ML8L-B	328	396	464	532	600

## Ordering information

ML8 M - F 3 00 - RYG - B

① ② ③ ④ ⑤ ⑥

### ① Body Length

S	100mm Aluminum body
M	150mm Aluminum body
L	200mm Aluminum body

### ④ Power Supply

00	12 ~ 24VAC/DC
FF	90 ~ 240VAC

### ② Light Style

No mark	Steady
F	Steady + Flashing
B	Steady + Flashing + Buzzer

### ⑤ Lens Color (Top to Bottom)

R	Red	B	Blue
Y	Yellow	C	Clear
G	Green		

### ③ Number of Stack

1	1 Stack	4	4 Stacks
2	2 Stacks	5	5 Stacks
3	3 Stacks		

### ⑥ Body Color

No mark	Ivory
B	Black

## Specifications

Dimension	86mm
Power supply	12~24VAC/DC, 90~240VAC (50/60Hz)
Function	Steady, Flashing, Buzzer
Lens color	Red / Yellow / Green / Blue / Clear
Maximum stacked quantity	1 ~ 5 can be stacked
Mounting method	Body direct mounting
Flashing rate	80±10 times / minute
Buzzer volume	min 10 ~ max 100 ±5dB (at 1M), Volume adjustable
Body color	White / Black (option)
Ambient temperature	-15°C ~ 40°C
Storage ambient temperature	-20°C ~ 70°C
Ambient humidity	45~85% RH
Insulation resistance	100MΩ minimum (500VDC megger)
Vibration	0.75mm at 10~55Hz
Protection structure	IP65 / IP40 (with Buzzer)
Connection	UL1007/22AWG

Note : Life of the LED varies according to operating conditions and environment.

## Current Consumption

See Page 20 >> for Current Consumption

## Connection Diagram

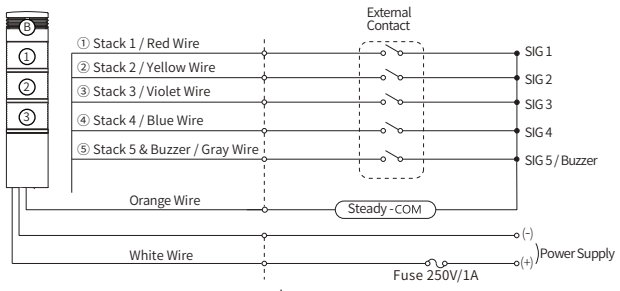
See Page 20 >> for Connection Diagram

# Connection Diagram

## MP8/ML8 Series

12~24VAC/DC, 90~240VAC

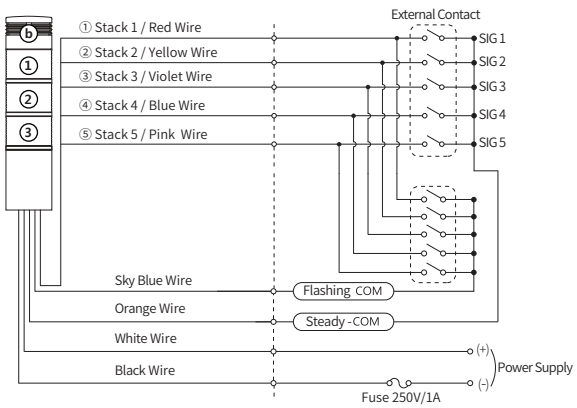
Steady / Buzzer



\* The case of the DC power Polarity attention

12~24VAC/DC, 90~240VAC

Steady / Flashing



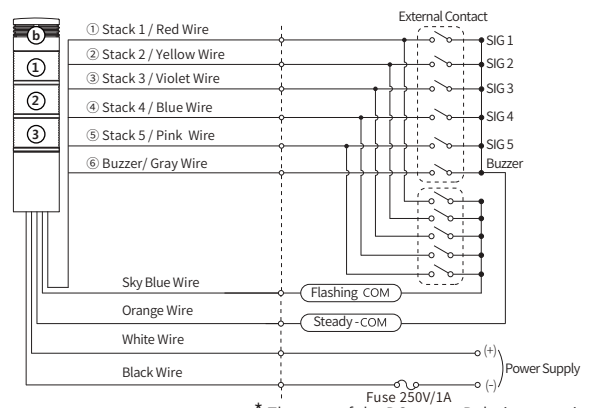
\* The case of the DC power Polarity attention



Do not connect the power line and flashing or steady lines. (Orange/Skyblue wire) It may cause damage to the product.

12~24VAC/DC, 90~240VAC

Steady / Flashing / Buzzer



\* The case of the DC power Polarity attention



Do not connect the power line and flashing or steady lines. (Orange/Skyblue wire) It may cause damage to the product.

## MP8/ML8 series Current Consumption (RMS value $\pm 10\%$ )

Power supply		1stack	2stacks	3stacks	4stacks	5stacks
12~24V	General	0.15A	0.30A	0.40A	0.50A	0.60A
	Buzzer	0.17A	0.32A	0.42A	0.52A	0.62A
90~240V	General	0.02A	0.04A	0.05A	0.06A	0.07A
	Buzzer	0.03A	0.04A	0.05A	0.06A	0.07A

## ML8 Series Optional Parts

### Wall Mounting Bracket



**MAP-DS30**  
ABS resin



**MAM-DS26**  
Steel

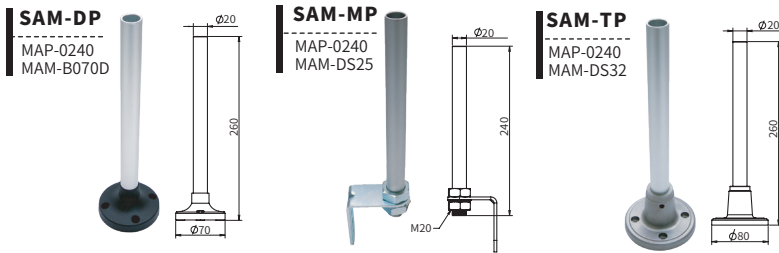
See Page 80 ~ 81 >> for detail dimensions.

# Accessories Parts

## Ordering information and Dimensions (UNIT : mm)

### Semi-assembled pole mounting base

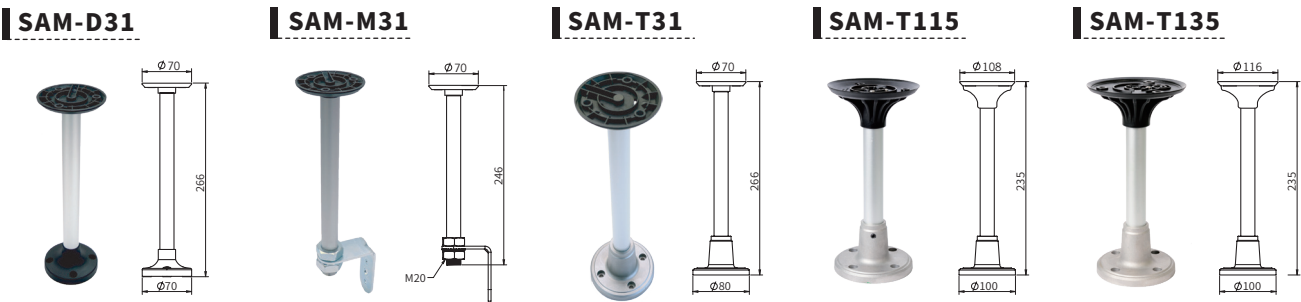
PTE, PTM, PTD, PME, MT4, MT5 series



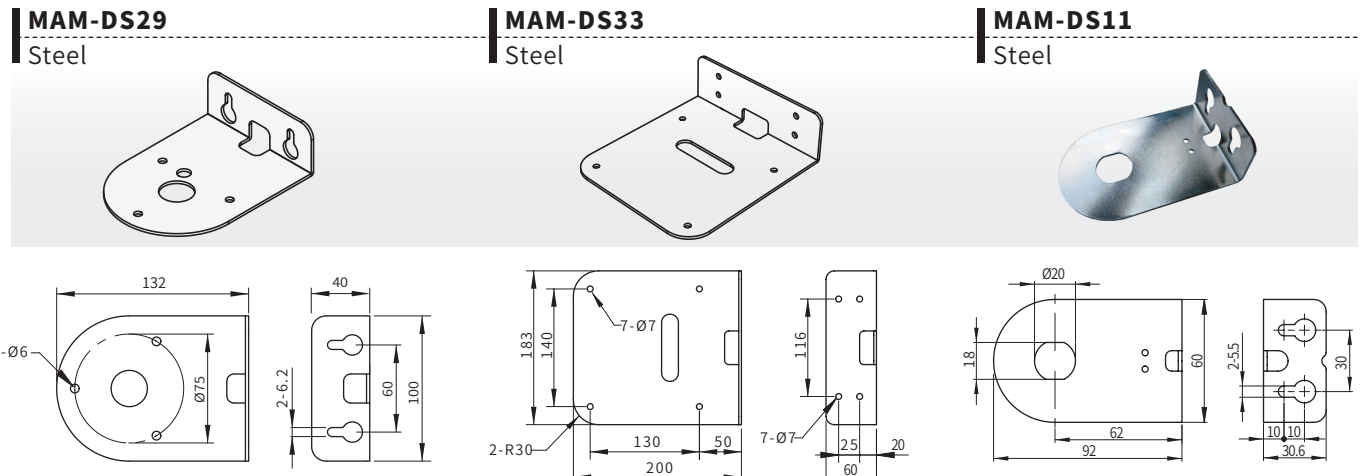
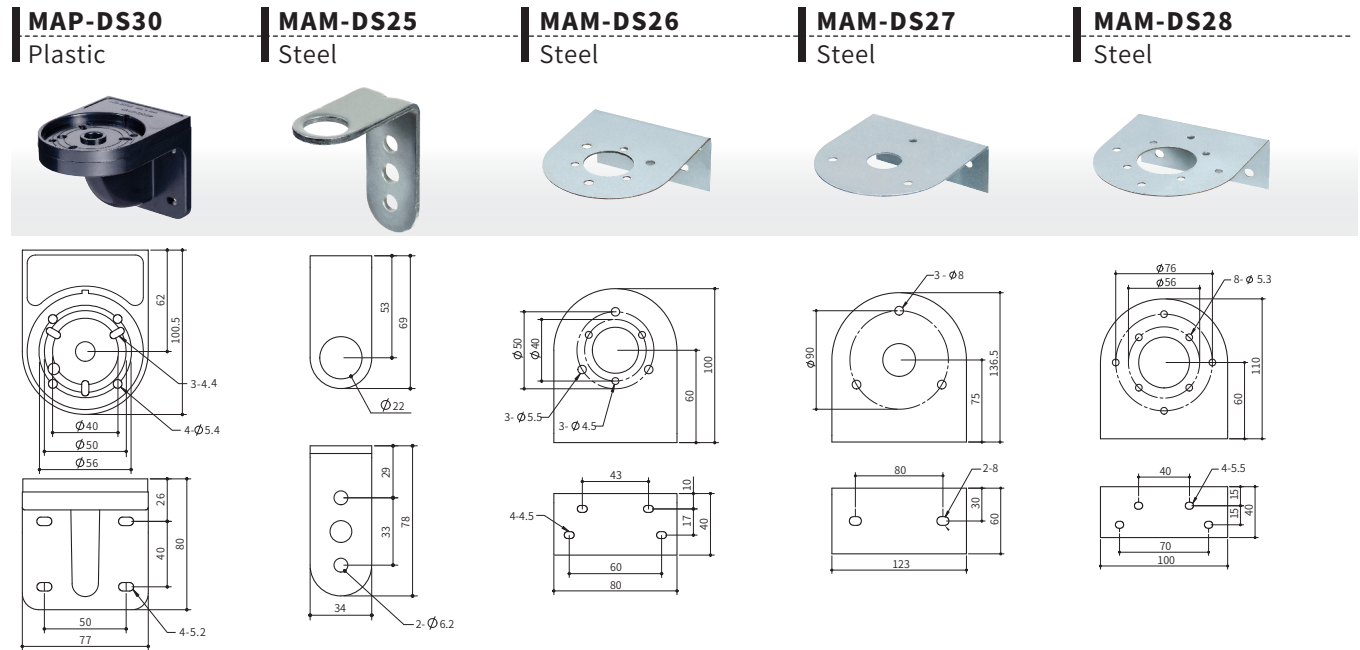
### MS86 series dedicated part

### MS115 series

### MS135 series



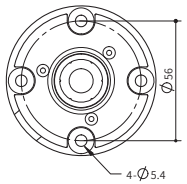
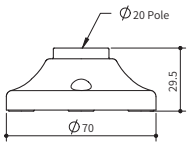
### Wall Mounting Bracket



## Mount Base

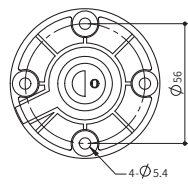
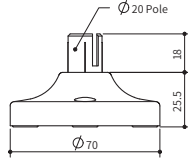
### MAM-B070B

Plastic



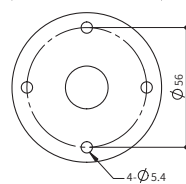
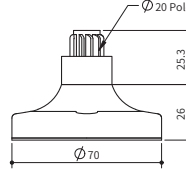
### MAM-B070C

Plastic



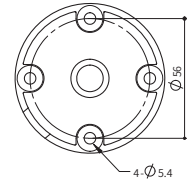
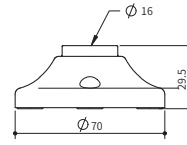
### MAM-B070D

Plastic



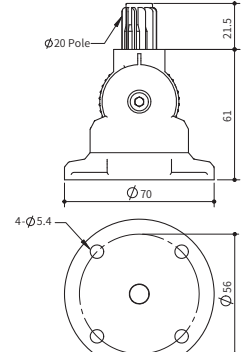
### MAM-B070F

Plastic



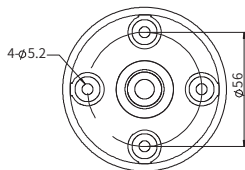
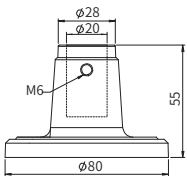
### MAM-B070R

Plastic



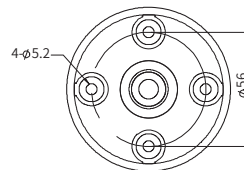
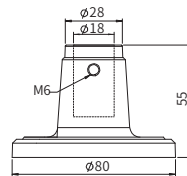
### MAM-DS32A

Aluminum



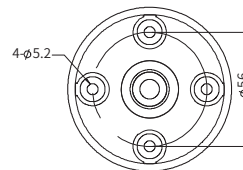
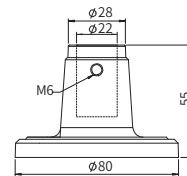
### MAM-DS32B

Aluminum



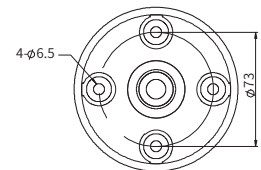
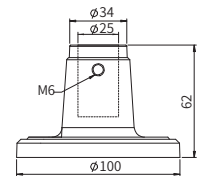
### MAM-DS32C

Aluminum



### MAM-DS35

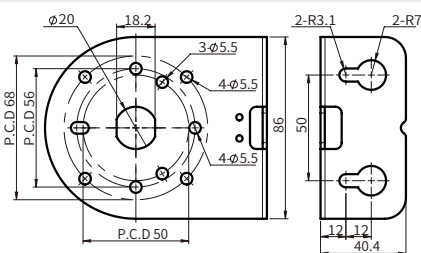
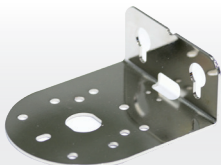
Aluminum



## Wall Mounting Bracket

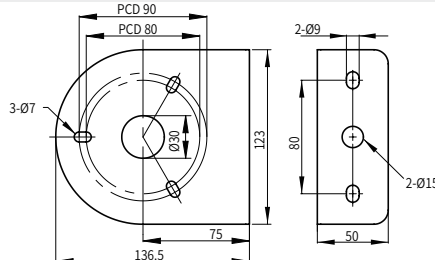
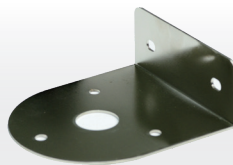
### MAM-DS10

Steel



### MAM-DS37

Steel



### MAM-DS38

Steel

