

OUTSIDE MICROMETER SET



A set of six different sizes of outside micrometers in a wooden box

● Refer to MC105 series for specifications



Reference standard for calibration▶ Block Gauge P42 ~49	Zero point setting▶ Setting Standards P225
For holding micrometers▶ Micrometer Stand P226	Rust prevention▶ Zerust Film for Steel P380

● Included in set

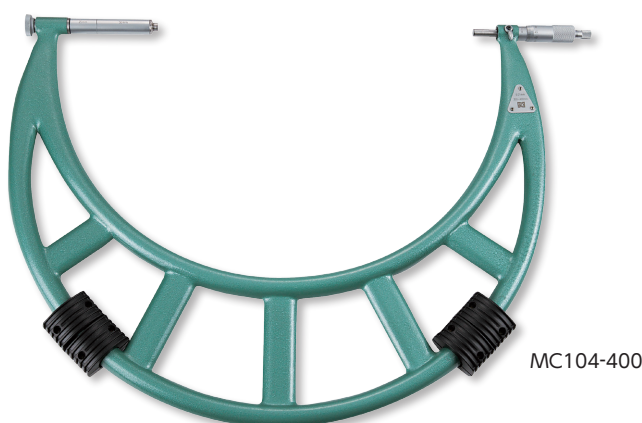
Outside Micrometers	0~25,25~50,50~75, 75~100,100~125, 125~150 (6 pcs)
Setting Standards	25,50,75,100,125 (5 pcs)

Order No.	Model No.	Measuring Range (mm)	Resolution (mm)	Weight
151240	MC105-150ST	0 ~ 150	0.01	3.8kg

OUTSIDE MICROMETER WITH ADJUSTABLE ANVIL

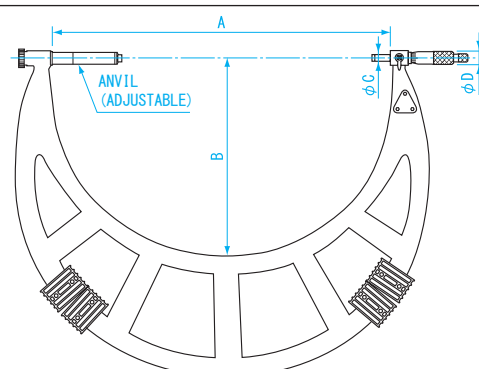


Wide measuring range with adjustable anvil



Reference standard for calibration▶ Block Gauge P42 ~49
--

● DIMENSIONS



USE

- Measuring outer dimension

MATERIAL

- Spindle: High carbon chrome steel

FEATURES

- Changing mounting position of anvil by adjustable anvil for wide measuring range
- Lightweight frame structure
- With ratchet stop
- Painted frame
- Carbide measuring faces

SPECIFICATIONS

- Adjustable anvil: 25mm 1pc / 50mm 1pc included
- Head stroke: 25mm

Units: mm

Model No.	A	B	C	D
MC104-400	409	224	8	18
MC104-500	509	275		
MC104-600	609	321		
MC104-700	709	371		
MC104-800	809	426		
MC104-900	909	476		
MC104-1000	1009	576		

Order No.	Model No.	Measuring Range (mm)	Resolution (mm)	Maximum Error (μm)	Setting Standard	Weight
151280	MC104-400	300 ~ 400	0.01	11	325 & 375 (mm) 1EA	5.5kg
151281	MC104-500	400 ~ 500		13	425 & 475 (mm) 1EA	6kg
151282	MC104-600	500 ~ 600		15	525 & 575 (mm) 1EA	6.5kg
151283	MC104-700	600 ~ 700		16	625 & 675 (mm) 1EA	10kg
151284	MC104-800	700 ~ 800		18	725 & 775 (mm) 1EA	15kg
151285	MC104-900	800 ~ 900		20	825 & 875 (mm) 1EA	18kg
151286	MC104-1000	900 ~ 1000		20	925 & 975 (mm) 1EA	20.5kg



MICRO METER

MICRO METER STAND