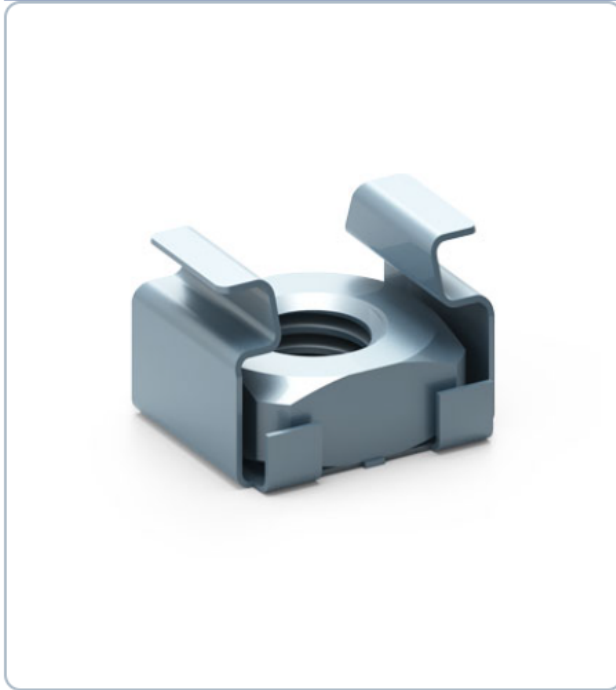


# M6卡式螺母



## Features

- Material: 45 # M6 nut locking piece combination
- Finish : blue white zinc plating
- Weight: 3.8 g
- Size: 12 x13.2 x9.3
- 

## Material

## Surface treatment

- Electroplate

