

# COOLING FAN GRILLS

## 1. Product Features:

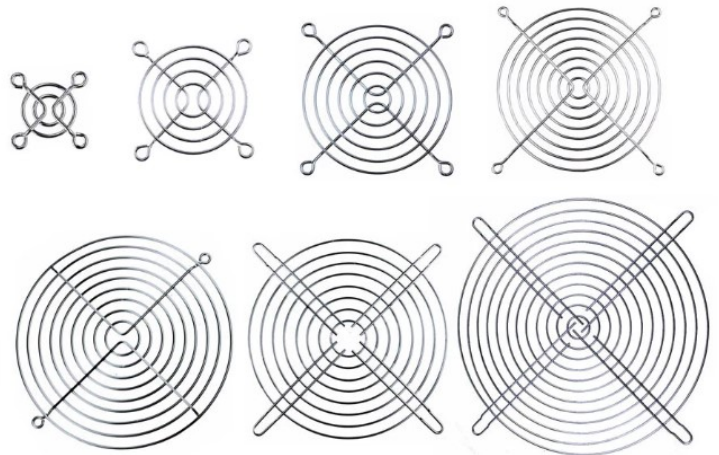
- Protective metal construction of C1008 Steel with a Nickel-finish or material stainless steel
- It has 4 holes that can screw onto any cooling fan with 140mm square frame.
- Protective fan designed to withstand heavy use.

## 2. Application:

- The fan guard creates a protective barrier between a fan's blade and any foreign object it may come into contact with.
- The blade is fragile and can be damaged if impacted by a foreign object during use.
- At high speed, it can also cause damage to wires and fingers on the contact.
- Note: Please check the size of the cooling fan before ordering.

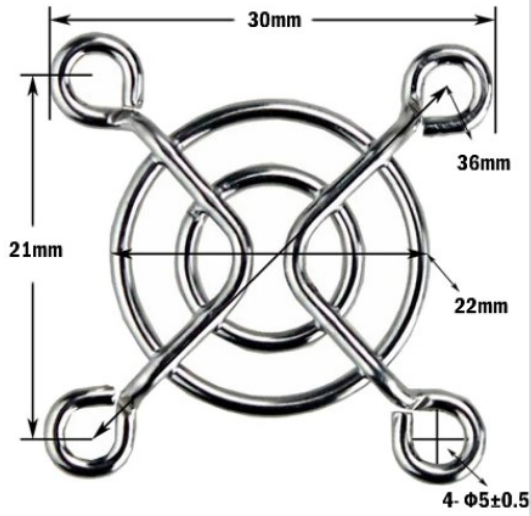
## 3. Specifications:

- Type: Grill Fan
- Dimensions:  
30mm/40mm/50mm/60mm/70mm/80mm/90mm/  
120mm/135mm/140mm/150mm/170mm/200mm
- Material: Metal/Iron
- Use for:  
30mm/40mm/50mm/60mm/70mm/80mm/90mm/  
120mm/135mm/140mm/150mm/170mm/200m

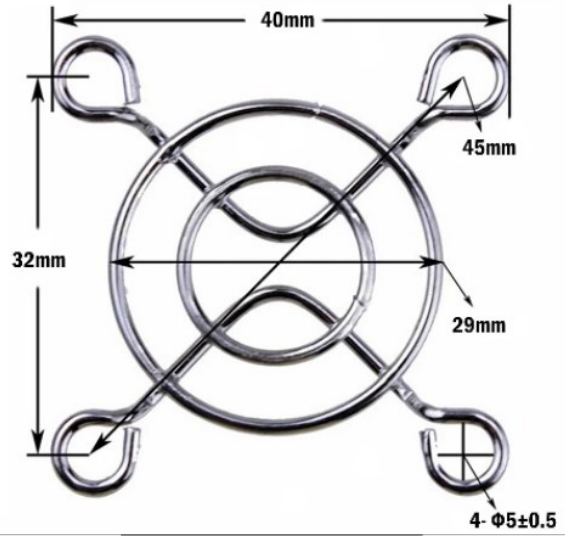


Material	Size	Thickness	Weight
Metal/Iron	30mm	1.6mm	3.1g
Metal/Iron	40mm	1.6mm	4.4g
Metal/Iron	50mm	1.6mm	6.7g
Metal/Iron	60mm	1.6mm	9.4g
Metal/Iron	70mm	1.6mm	13.8g
Metal/Iron	80mm	1.6mm	16g
Metal/Iron	90mm	1.6mm	20.4g
Metal/Iron	120mm	1.6mm	31.5g
Metal/Iron	135mm	1.6mm	42.8g
Metal/Iron	140mm	1.6mm	43.8g
Metal/Iron	150mm	1.6mm	43g
Metal/Iron	170mm	1.6mm	52.2g
Metal/Iron	200mm	1.6mm	82.7g

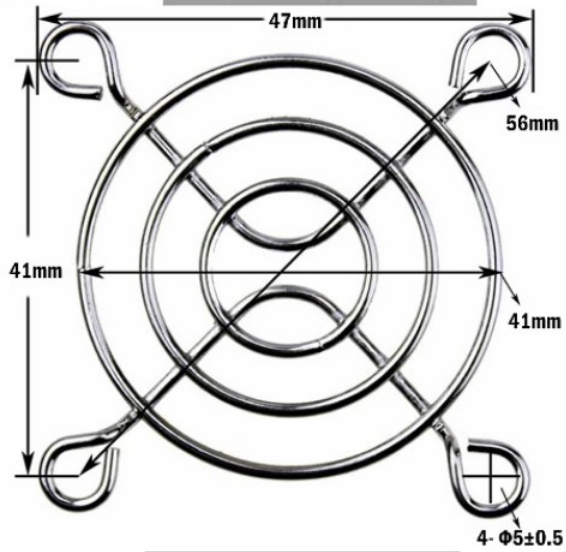
**30MM**



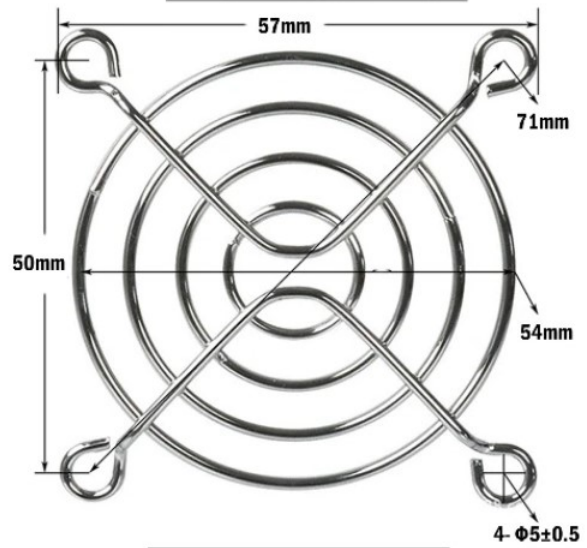
**40MM**



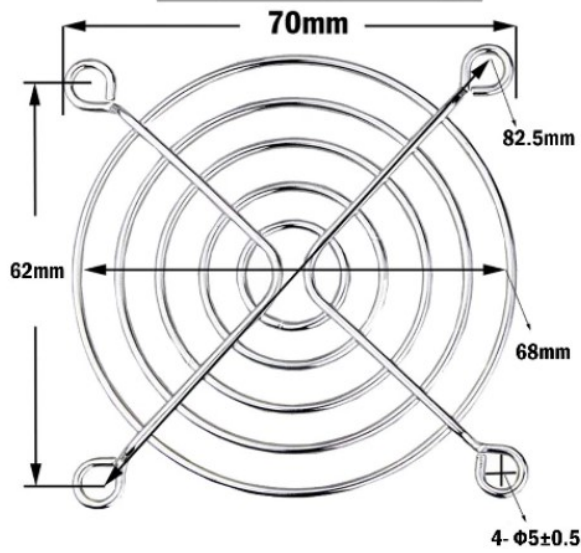
**50MM**



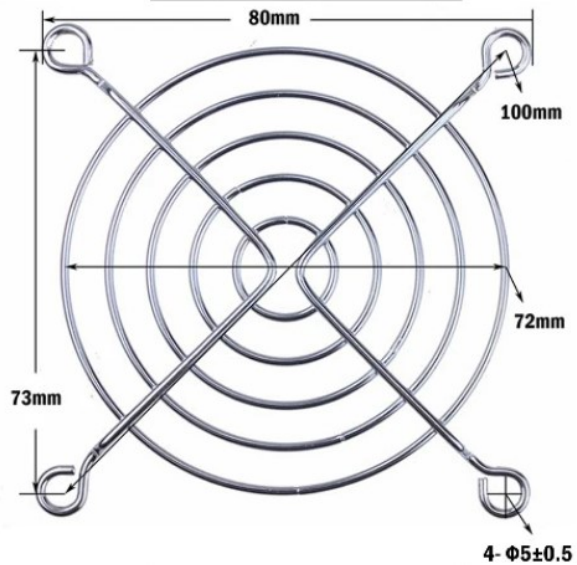
**60MM**



**70mm**

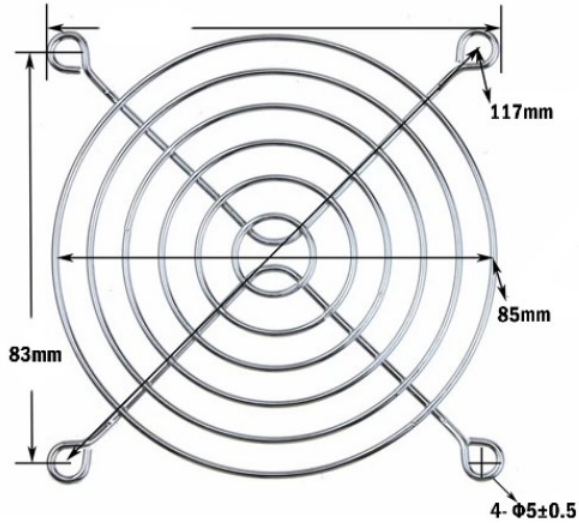


**80MM**

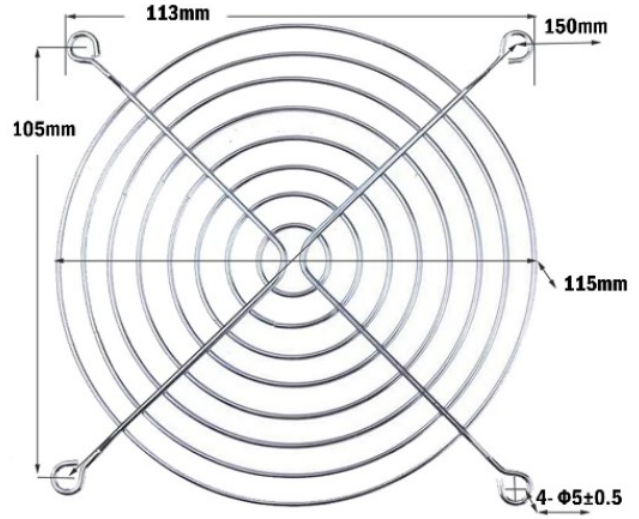




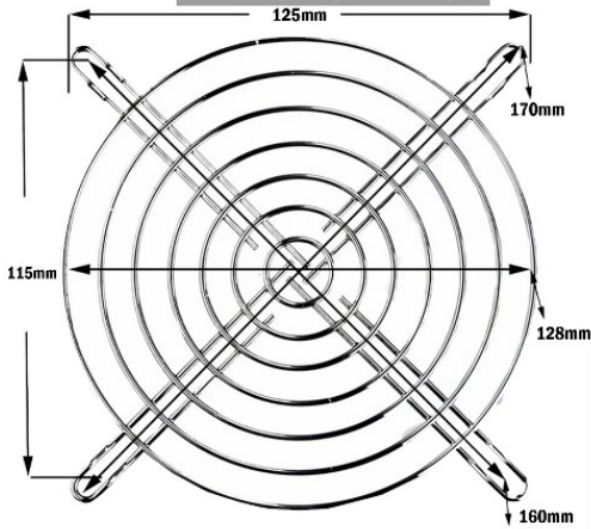
**90MM**



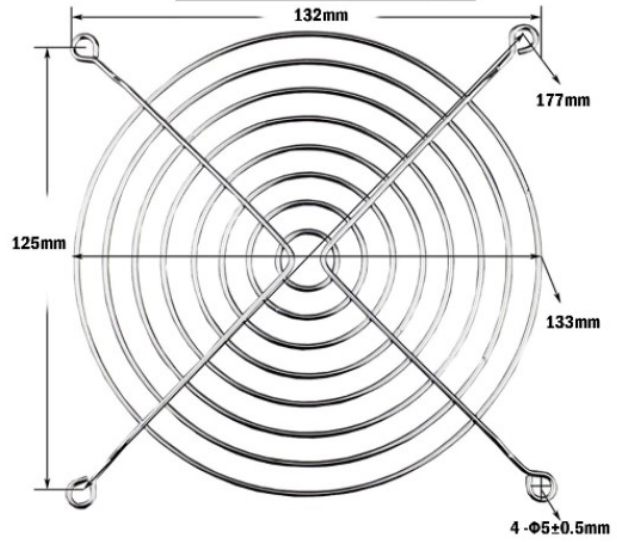
**120MM**



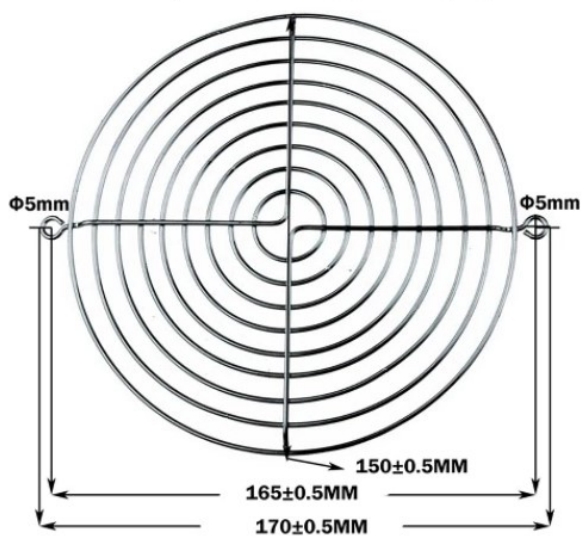
**135mm**



**140mm**



**150mm**



**200mm**

