

KGN Series Control Stations

IP40 Enclosed Steel Control Stations For ø30 mm TWN/TWND Series Switches/Pilot Lights Various Control Stations are Available

Various control stations are available with most widely used combinations of switches/pilot lights (contact configurations, voltage, button colors, and nameplates).



Specifications

Degree of Protection	IP40 (IEC60529)
Material (Enclosure)	Carbon steel plate (t=1.0mm)
Coating Color (Melamine coating)	Yellow semi-gloss (Munsell 5Y7/1)
Rated Insulation Voltage	600V (Buzzer: 250V)
Insulation Resistance	5 MΩ minimum
Dielectric Strength (Note 1)	Between live and dead parts: 2500V AC, 1 minute
Standard Operating Conditions (Note 2)	Ambient temperature: -25 to +50°C (no freezing) Relative humidity: 45 to 85% (no condensation)
Style	Wall mount (1 to 5 holes)
Cable Lead-in (Wall Mount)	Double knockouts On top: ø22 and ø27 mm On bottom: ø16 and ø20 mm
Applicable Switches/Pilot Lights	IDEC ø30 mm TWN/TWND series

Note 1: Buzzer: 2000V AC, 1 minute

Note 2: Buzzer: -10 to +40°C

Contact Ratings (Contact Block)

Contact Block	Rated Insulation Voltage	600V
	Rated Thermal Current	10A
	Contact Ratings by Utilization Category IEC60947-5-1	AC-15 (A600) DC-13

Operational Voltage and Current by Utilization Category

Operational Voltage		24V	48V	50V	110V	220V	440V
Operational Current	AC (50/60Hz)						
	AC-12 Control of resistive loads and solid state loads	10A	—	10A	10A	6A	2A
	AC-15 Control of electromagnetic loads (>72VA)	10A	—	7A	5A	3A	1A
DC	DC-12 Control of resistive loads and solid state loads	10A	5A	—	2.2A	1.1A	—
	DC-13 Control of electromagnets	5A	2A	—	1.1A	0.6A	—

Common

Minimum applicable load (reference value) = 3V AC/DC, 5 mA (the applicable range is subject to change according to the operating conditions)

Rubber Bushing (Supplied) Color: Black

Enclosure Style	Supplied Bushing			Applicable Knockout Hole
	Part No.	Outside Dia.	Inside Dia.	
1 or 2 holes	GB-2	ø30 mm	ø16 mm	ø20 or ø22 mm
3 or 4 holes	GB-3	ø38 mm	ø20 mm	ø27 mm

Switches/Pilot Lights Mounting Holes

The holes for mounting switches/pilot lights are 30.5 mm in diameter with an anti-rotation notch. Mounting centers are 50 mm.

Double Knockouts

The top and bottom surfaces have double knockouts.

On top: ø22 and ø27 mm double knockouts

On bottom: ø16 and ø20 mm double knockouts

One rubber bushing is supplied to protect lead-in wires from damage on the wire surface; 1- and 2-hole enclosures are supplied with a bushing to fit ø20 and ø22 mm holes, and 3- and 5-hole enclosures with a bushing to fit a ø27 mm hole.



Control Stations with Switches/Pilot Lights

The control stations are available with a selected combination of switches/pilot lights as listed below. For the dimensions and mounting centers, see the figures on page 26.

Switch/ Pilot Light	Part No.	Specifications
Pushbutton 	ABN110 *	Flush, 1NO
	ABN101 *	Flush, 1NC
	ABN111 *	Flush, 1NO-1NC
	ABN311R	ø40 mushroom, 1NO-1NC
	ABBN1110 **	Flush, double beam latching, 1NO
	ABBN1111 **	Flush, double beam latching, 1NO-1NC
	HN1E-BV411R	Emergency stop, 1NO-1NC
Pilot Light 	APN116DN *	Dome, 100/110V AC
	APN126DN *	Dome, 200/220V AC
Selector Switch 	ASN211N	Knob, 2-position, 1NO-1NC
	ASN320N	Knob, 3-position, 1NO-1NC
	ASN2K11N-N024401	Key, 2-position, 1NO-1NC
Buzzer 	AZ11N	110V AC
	AZ12N	220V AC

Note: Specify a button or lens color code in place of *:
 Pushbutton: B (black), G (green), R (red)
 Pilot Light: G (green), R (red), W (white)
 Flush pushbuttons are supplied with black, green, and red color caps.

Control Stations

Package Quantity: 1

Control Station		Mounted Switch/Pilot Light		
Style	Part No.	Symbol	Part No.	NA Nameplate Legend
Wall Mount 1 hole	KGN1101NY		ABN110	ON
	KGN1102NY		ABN311R	OFF
	KGN1103NY		APN116DNR	Without nameplate
	KGN1104NY		APN126DNR	Without nameplate
	KGN1105NY		ASN211N	HAND-AUTO
	KGN1106NY		ASN320N	HAND-OFF-AUTO
	KGN1107NY		ASN2K11N-N024401	OFF-ON
	KGN1108NY		AZ11N	Without nameplate
	KGN1111NY		HN1E-BV411R	EMERGENCY STOP
Wall Mount 2 holes	KGN2101NY		ABN110 ABN101	ON OFF
	KGN2102NY		ABN111 ABN111	ON OFF
	KGN2103NY		APN116DNR APN116DNG	Without nameplate
	KGN2104NY		APN126DNR APN126DNG	Without nameplate
	KGN2105NY		APN116DNR ABN111	Without nameplate STOP
	KGN2106NY		APN126DNR ABN111	Without nameplate STOP
	KGN2107NY		APN116DNR ASN211N	Without nameplate HAND-AUTO

Control Station		Mounted Switch/Pilot Light			
Style	Part No.	Symbol	Part No.	NA Nameplate Legend	
Wall Mount 2 holes	KGN2108NY		APN126DNR ASN211N	Without nameplate HAND-AUTO	
	KGN2109NY		APN116DNR ASN2K11N-N024401	Without nameplate OFF-ON	
	KGN2110NY		APN126DNR ASN2K11N-N024401	Without nameplate OFF-ON	
	KGN2113NY		ABN110 ABN311R	ON OFF	
	KGN2116NY		AZ11N ABN111	Without nameplate	
	KGN2117NY		AZ12N ABN111	Without nameplate	
	KGN2118NY		AZ11N APN116DNR	Without nameplate	
	KGN2119NY		AZ12N APN126DNR	Without nameplate	
	Wall Mount 3 holes	KGN3102NY		APN116DNR ABN110 ABN101	Without nameplate ON OFF
		KGN3103NY		APN126DNR ABN110 ABN101	Without nameplate ON OFF
KGN3104NY			ABN111 ABN111 ASN211N	ON OFF HAND-AUTO	
KGN3106NY			APN126DNW APN126DNR APN126DNG	Without nameplate	
Wall Mount 4 holes		KGN4101NY		APN126DNR APN126DNG ABN111 ABN111	Without nameplate Without nameplate ON OFF
	KGN4102NY		APN126DNR ABN111 ABN111 ASN211N	Without nameplate ON OFF HAND-AUTO	

Empty Enclosures

Package Quantity: 1

Style	Part No.	Unit Mounting Hole	Switch/Pilot Light Mounting Centers
1 hole (approx. 0.4 kg)	KGN111Y	With	
	KGN110Y	Without	
2 holes (approx. 0.5 kg)	KGN211Y	With	
	KGN210Y	Without	
3 holes (approx. 0.6 kg)	KGN311Y	With	
	KGN310Y	Without	
4 holes (approx. 0.7 kg)	KGN411Y	With	
	KGN410Y	Without	
5 holes (approx. 0.8 kg)	KGN511Y	With	
	KGN510Y	Without	
Switch/Pilot Light Mounting Hole		Effective Depth inside the Enclosure	
All dimension in mm			

Accessories

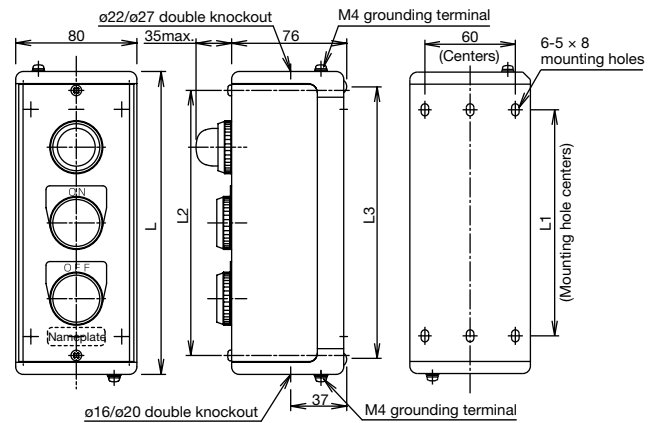
Package Quantity: 1

Name	Part No.	Applicable Enclosure	Applicable Knockout Hole
Rubber Bushing	GB-2	KGN111Y	ø20 or ø22 mm
		KGN110Y	
		KGN211Y	
		KGN210Y	
	GB-3	KGN311Y	ø27 mm
		KGN310Y	
		KGN411Y	
		KGN410Y	
		KGN511Y	
		KGN510Y	

Dimensions

All dimensions in mm.

KGN Control Station (Wall Mount)

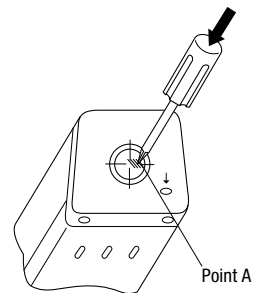


	1 hole	2 holes	3 holes	4 holes	5 holes
	111Y	212Y	313Y	414Y	510Y
L	100	150	200	250	300
L1	50	100	150	200	250
L2	75	125	175	225	275
L3	80	130	180	230	280
Weight (Approx.)	0.4 kg	0.5 kg	0.6 kg	0.7 kg	0.8 kg

Instructions

Precautions for Opening the Knockout Hole

- The metal piece for the inner hole of ø22 or ø16 mm knockout has two linked parts to the outer hole. When breaking the knockout to make an inner hole, strike the inner metal piece at the cut parts (the hatched parts shown as point A at right) using a screwdriver tip or similar tool.
- When opening a larger hole of ø27 or ø20 mm, first make a smaller hole as described above. Then break the knockout for the larger hole using pliers.



Ordering Information

When ordering control stations with switches/pilot lights:

Specify the Part No. of the control station.

When ordering enclosures without switches/pilot lights:

Specify the following items.

- Part No. of the enclosure
- Part No. and specifications of the switch/pilot light to be mounted (lens color, button color, etc.)
- Nameplate
- Other specifications

Ordering Example

	Part No. of Enclosure	KGN311Y
① ② ③	Switch/Pilot Light and Nameplate	① APN126DNR
		② ABN210B, with NA-1
		③ ABN201R, with NA-2

Note: Any ø30 mm TWN/TWND series switch/pilot lights are selectable. However, take the effective depth inside the enclosure into consideration.