



## KG316T Time Switch

### 1. General

KG316T Time Switch can automatically turn on or turn off power supply of various consumer equipments according to preset time by user. The controlled objects are circuit equipments and household appliances such as street lamps, neon lamps, advertising lamps, manufacturing equipments, broadcast & television equipments, etc., which requires turning on and off at definite time.

## 2. Technical data

Operating mode	Time automatic control
Rated operating current	AC-15 3A
Rated operating voltage	AC220V 50Hz/60Hz
Applicable voltage range	(85%~110%)Ue
Rated output voltage	AC220V×(1±1%)
Electrical life	1×10 <sup>5</sup>
Mechanical life	1×10 <sup>6</sup>
Times of ON/OFF	8 opens & 8 closes, 16 opens & 16 closes
External dimension	121.32×74.73×50.77

## 3. Function features

- 3.1 "AAA" size battery, replaceable;
- 3.2 Max set times per day (8 opens & 8 closes, 16 opens & 16 closes) and select according to requirements;
- 3.3 On-off time may cycle according to day or week;
- 3.4 Equipped with keyboard locking function for error operation protection;
- 3.5 Adopt single key operation in all, easy to install and adjust;
- 3.6 Timing error ≤2s/day.

## 4. Wiring diagram

4.1 Wiring for direct control mode: direct control mode can be used for electrical apparatus which is single-phase power supply and its power consumption doesn't exceed rated value of this switch. See Figure 1 for wiring method;

4.2 Wiring for single-phase dilatancy mode: it is required a AC contactor with larger capacity than electrical apparatus power consumption for dilatancy when the controlled electrical apparatus is single-phase power supply, whereas its power consumption exceeds rated value of this switch. See Figure 2 for wiring method;

4.3 Wiring for three-phase operation mode: if the controlled electrical apparatus is three-phase power supply, it is required to externally connect three-phase AC contactor;

a. See Figure 3 for wiring, control contactor @ AC220V coil voltage, 50Hz;

b. See Figure 4 for wiring, control contactor @ AC380V coil voltage, 50Hz.

Figure 1

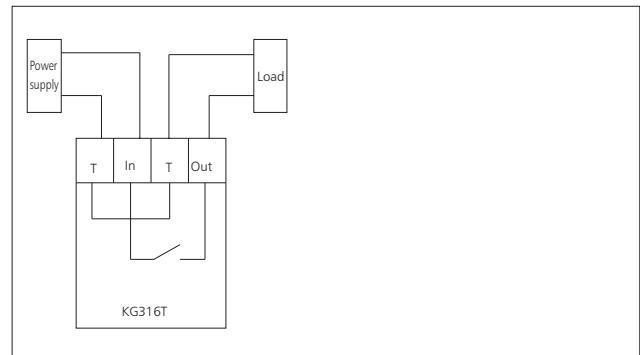


Figure 2

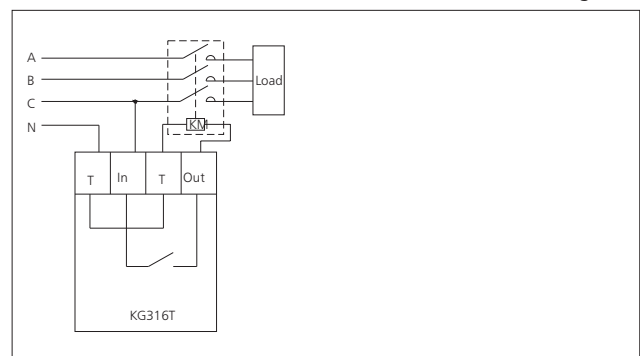


Figure 3

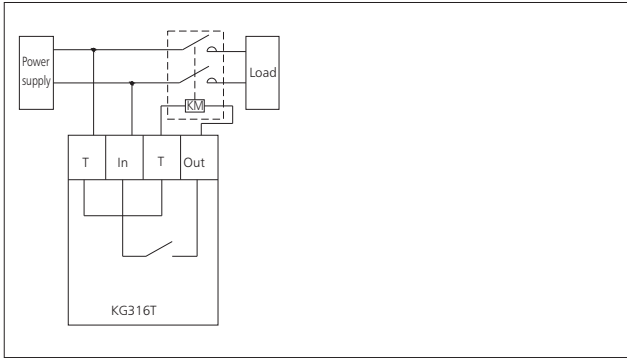
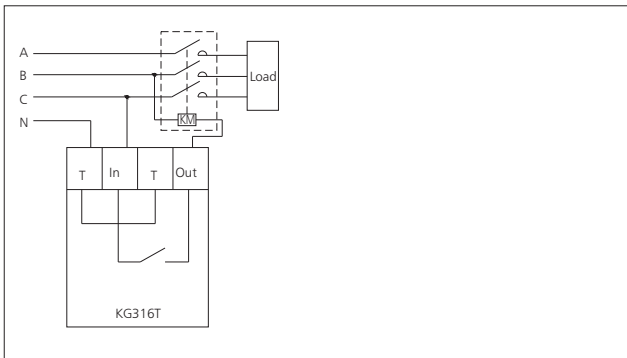


Figure 4



## 5. Overall and mounting dimensions (mm)

Profile installation dimensions

