



YASKAWA AC Drive Compact V/f Control Drive J1000

200 V CLASS, THREE-PHASE INPUT: 0.1 to 5.5 kW
200 V CLASS, SINGLE-PHASE INPUT: 0.1 to 2.2 kW
400 V CLASS, THREE-PHASE INPUT: 0.2 to 5.5 kW



Reliable and Smart



Certified for
ISO9001 and
ISO14001



JQA-0422

JQA-EM0498

Reliable

Small but Reliable



Smart

Easy to Operate
and So Compact



YASKAWA AC Drive

J1000

Compact V/f Control Drive



Reliability the world has come to expect from Yaskawa as a global leader is now packed into an even smaller, more powerful unit.

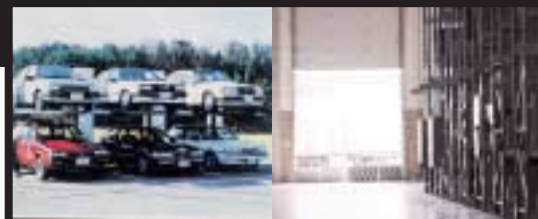
So easy to use: just switch it on and you're ready to go.

J1000 is fully capable of efficient performance and energy saving, handling variable speed needs in compact applications.

A drive that exemplifies true world quality with a difference you can really feel.

CONTENTS

4	Features
8	Application Benefits
10	Software Functions
12	Parameter List
14	Basic Instructions
16	Product Lineup
17	Model Selection
18	Standard Specifications
20	Standard Connection Diagram
22	Dimensions
24	Drive Watts Loss Data
26	Peripheral Devices and Options
47	Application Notes
51	YASKAWA AC Drive Series
53	Global Service Network



Features

1.

Fully Equipped with User and Environmentally-Friendly Functions

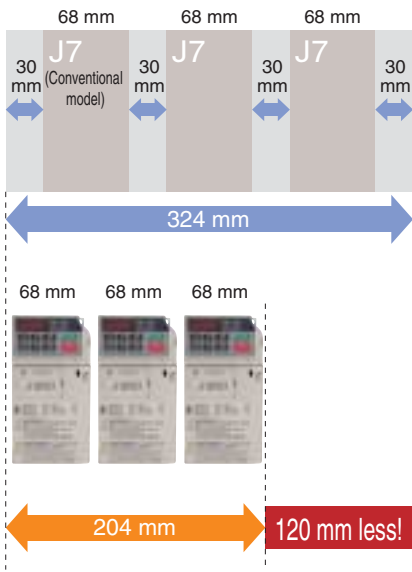
Compact Design

Every drive has dual rating, Normal Duty (ND) and Heavy Duty (HD). Parameter settings let the user select the rating that best suits the application needs. Selecting ND allows the drive to operate a more powerful motor an entire frame size larger than with HD. Side-by-Side installation and J1000's impressively compact design make it possible to fit the entire setup into even the narrowest enclosures.

Note: Current derating must be considered. Select a motor that has a current rating within the rated current of the drive.

How Side-by-Side Installation Works

Example: 200 V 0.75 kW

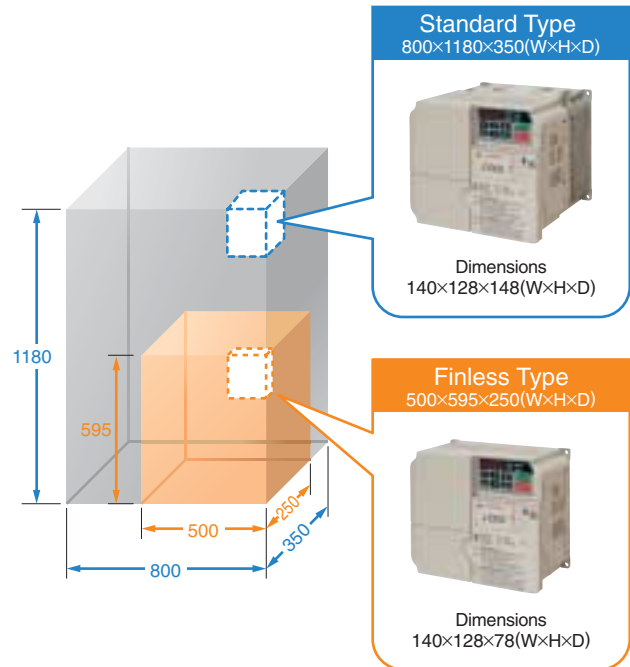


Note: If the last drive in a series is installed next to a wall, a 30 mm gap is required.

Use J1000's slender Finless Type for an even more compact installation. Options also include an easy-to-connect NEMA 1 Type 1 kit to provide the protection the drive needs.

Compact Setup in Enclosure Panel (mm)

Example: 200 V Class, Three-Phase Input 3.7 kW (HD)



Note: As the Finless Type lacks its own heatsink, steps still need to be taken to ensure proper heat dissipation. The example above shows a drive installed to a fully-enclosed panel with an external cooling unit added to handle cooling requirements. Refer to the manual for details.

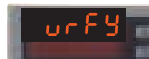
Easy Operation

The Setup Mode gives the user quick access to the basic parameters needed to get the application running right away. This feature ensures quick and easy setup once the drive is installed. The Verify Menu lists all setting that have been changed from their original default values.

Verify Menu

Parameters changed from their default values

Name	No.	Default	Set Value
Frequency Reference Selection	b1-01	1	0
Acceleration Time 1	C1-01	10.00 s	15.00 s
Deceleration Time 1	C1-02	10.00 s	15.00 s
⋮	⋮	⋮	⋮



Environmentally Friendly

J1000 is fully compliant with EU's RoHS.



J1000 uses Yaskawa's Swing PWM function to suppress electromagnetic and audible motor noise, creating a more peaceful environment.

Acoustic Noise Levels from Swing PWM vs. Conventional PWM

23.3% less

Note: Calculated by analyzing noise generation and comparing peak values.

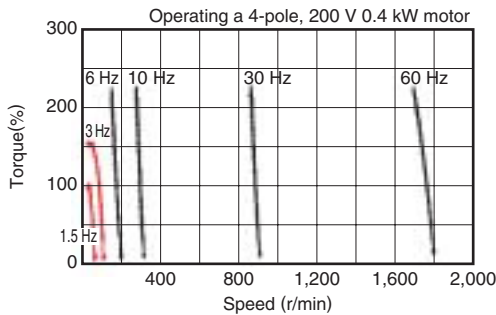
Features
2.

Ensuring Stable Operation

Starts Heavy Loads Effortlessly

Fully automatic torque compensation across the entire speed range, whether accelerating, decelerating, or operating at constant speed. Capable of 100% rated torque as low as 1.5 Hz, and 150% at 3 Hz when set for Heavy Duty performance.

Powerful Torque



Yaskawa's Full Range, Fully Automatic Torque Compensation

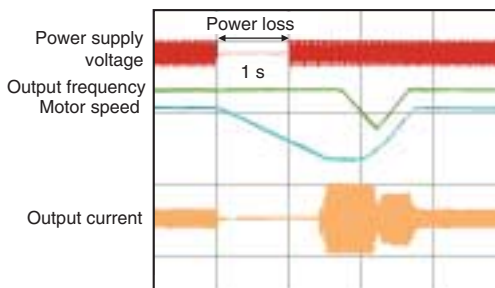
The drive output voltage needed in a single application varies with changing load conditions. Yaskawa's torque compensation function automatically adjusts voltage levels to maintain the required V/f pattern during acceleration and when operating at a constant speed.

Smooth, Continuous Operation

Stall Prevention keeps the motor running smoothly. Speed Search and Momentary Power Loss Ride-Thru functions can restart a coasting motor without a motor encoder, making continuous operation possible should a transient fault occur.

Momentary Power Loss Ride-Thru

Easily restart the motor without a motor encoder.
 Perfect for fan, blowers, and other rotating, fluid-type applications.

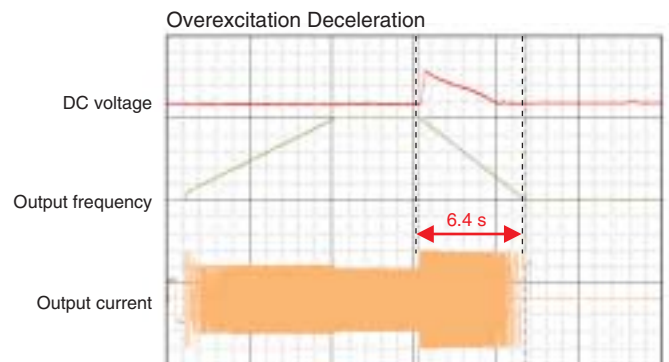
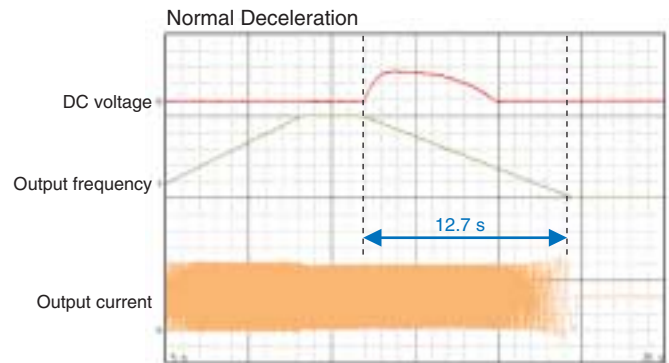


Enhanced Braking

The overexcitation braking functions enables rapid braking up to 50% faster without using a braking resistor. All models come equipped with a braking transistor for even faster stopping capabilities should the user decide to install a braking resistor.

Overexcitation Braking

* Overexcitation braking for a 400 V class 3.7 kW drive without a braking resistor. Results may vary with motor and load conditions.



50% faster!

Loaded with Protective Features

All models come equipped with an inrush current suppression circuit, protecting the drive from unstable power conditions. Overload detection and motor thermal protection prevent damage to connected machinery, while fault restart ensures continuous production.

Features

3.

True Reliability and Top Quality Assurance

Hassle-Free Maintenance

Yaskawa drives have a built-in maintenance timer that keeps track of component performance, including capacitors, soft-charge circuitry, IGBTs, and the cooling fan. This ensures maximum performance life of the drive.

The cooling fan is also designed for quick replacement: both detachable and easily accessible from the top of the drive.

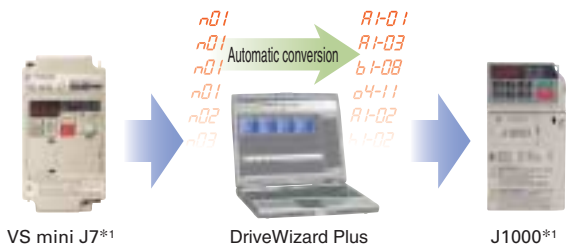
● Attaching/Detaching the Cooling Fan



Engineering tool DriveWizard Plus automatically converts parameter settings from the earlier VS mini J7 to match parameters in J1000.

Not only useful for model upgrades and transitions, but also a time-saving feature in case a drive needs to be replaced.

● Model Transition



*1: Requires an optional interface unit.

Note: To obtain a copy of Drive Wizard Plus, contact your Yaskawa representative.

Durability in a Wide Range of Environments

A wide range of protective features are available for harsher environments, including designs that are resistant to moisture, dust, oil, and shock.

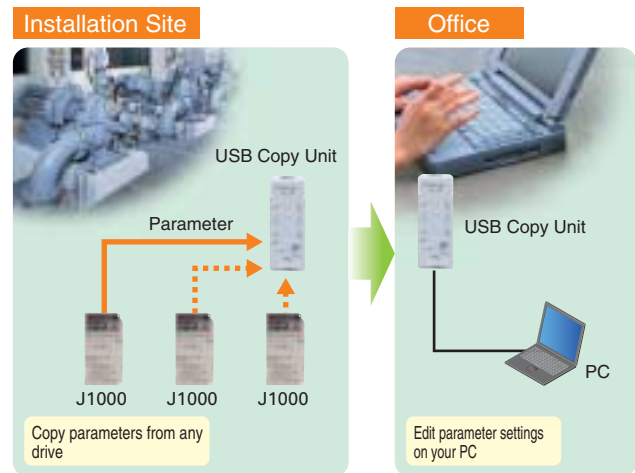
Convenient Parameter Management

Yaskawa's USB Copy Unit is available for applications with multiple drives requiring the same parameter settings. Use the Copy Unit to load parameters from the drive at the factory and edit them later on a PC*2. Incredibly useful for backing up parameter settings and easier than a carrying around a laptop.

*2: Requires an optional interface and freeware Copy Unit Manager.

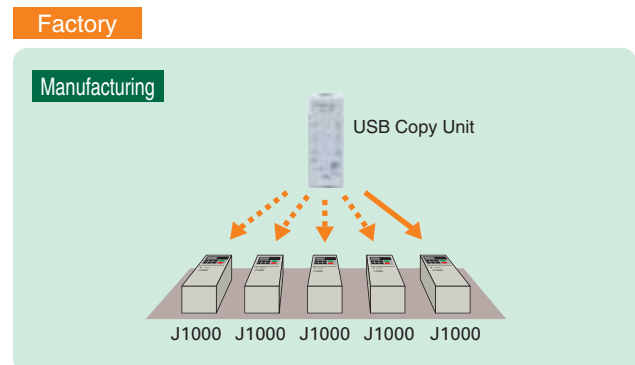
To obtain a Copy Unit Manager, contact your YASKAWA representative.

● Centralized Management



Note: USB Copy Unit designed to store parameters for a single drive.

● Get Larger Applications Ready in No Time



Note: Data can only be transferred between drives that are the same model running the same software version.

Minimizing Power Supply Harmonics

AC and DC reactor are both available to minimize the amount of harmonic distortion in the system.

Features
4.

Wide Range of Options Available

Potentiometer Option Unit (option)

A speed potentiometer lets the user adjust the frequency simply by turning a dial. This optional potentiometer offers an easy way to control motor speed on the fly, without needing to access parameter settings.

● Potentiometer Option Unit



LED Operator*1 (option)

The LED operator allows the user to control the drive from up to 3 meters away, saving the hassle of directly accessing the drive when mounted inside an enclosure panel.

*1: Requires an optional interface unit.

● Using the LED Operator

- View, edit, and set parameters
- Run/Stop
- Read, Copy and Verify parameter settings
- Monitor operation status

● Connecting the LED Operator



DriveWizard Plus

DriveWizard Plus makes it possible to operate the drive and perform maintenance using a PC. It has never been easier to edit parameters, access all monitors, create customized operation sequences, and observe drive performance with the oscilloscope function.

Note: To obtain a copy of Drive Wizard Plus, contact your Yaskawa representative.



● Parameter Editing

View and edit drive parameters.



● Oscilloscope Function

Displays operation status and drive performance in real time.



RS-422/485 Interface for MEMOBUS communication (option)

Supports the MEMOBUS/Modbus protocol.
Requires an optional interface.

Compliant with Global Product Standards

Compliance with global product regulations including UL, cUL, and CE makes J1000 fit for use worldwide.



Application Benefits

J1000 gets the most out of the application.

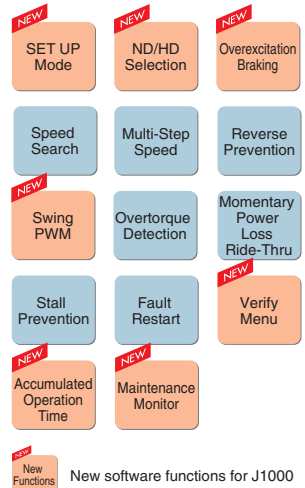


Fluid Applications

Advantages

- 1 The Setup Mode saves valuable installation time by providing just the essential parameters needed to get the application running immediately.
- 2 Normal Duty keeps the cost of the application down by allowing the use of a larger motor.
- 3 Speed Search prevents loss from down time by keeping the application running smoothly through a power loss.
- 4 Prohibit reverse rotation with a single parameter setting to prevent improper operation and possible machine damage.
- 5 Swing PWM minimizes noise and leakage current, quieting undesirable motor noise.
- 6 Self-diagnostic features check the drive when a fault occurs. Automatic fault restart keeps the application running without needing to stop the motor, avoiding production loss from down time.
- 7 Verify Menu lists any parameters that have been changed from their original default settings for easy maintenance and inspection.
- 8 Monitors display total operation time of various components. Extremely helpful in drive maintenance, offering performance life information for the cooling fan, main circuit capacitors, and other components that may eventually need replacement. A true time saver that allows the user to know exactly when replacements are needed so that the application never shuts down due to component wear or failure.

Functions



Applications



Fan



Pump



Conveyor, Transport, and Civil Applications

Advantages

- 1 The Setup Mode saves valuable installation time by providing just the essential parameters needed to get the application running immediately.
- 2 Heavy Duty provides high overload capability for reliable operation without production loss from down time.
- 3 Overexcitation provides increased braking torque without the need for a braking resistor, keeping the installation compact and the cost low. If even more braking torque is needed, an additional braking resistor can be connected to the built-in braking transistor.
- 4 Swing PWM minimizes noise and leakage current, quieting disturbing motor noise.
- 5 Torque compensation features operate across the entire speed range to automatically provide just the right amount of torque whenever needed. Perfect for starting the toughest loads in the harshest conditions.
- 6 Self-diagnosis features check the drive when a fault occurs. Automatic fault restart keeps the application running without needing to stop the motor, avoiding production loss from down time.
- 7 Verify Menu lists any parameters that have been changed from their original default settings for easy maintenance and inspection.
- 8 Monitors display total operation time of various components. Extremely helpful in drive maintenance, offering performance life information for the cooling fan, main circuit capacitors, and other components that may eventually need replacement. A true time saver that allows the user to know exactly when replacements are needed so that the application never shuts down to due to component wear or failure.

Functions

NEW SET UP Mode	NEW ND/HD Selection	NEW Overexcitation Braking
S-Curve Time	Multi-Step Speed	NEW Swing PWM
Torque Boost	Stall Prevention	Fault Restart
NEW Verify Menu	NEW Accumulated Operation Time	NEW Maintenance Monitor

NEW New Functions New software functions for J1000

Applications

 Conveyor	 Auto Shutter	 Automatic Doors
 Food & Beverage	 Agricultural	 Health & Leisure

Software Functions

Loaded with software functions just right for your application.



New J1000 software not available for the J7.

Note: Major functions listed below.

Setup

NEW

SET UP Mode

Easy access to the minimum-required parameters during setup.
Save valuable time during setup by calling up just the parameters needed.

Password

Protect parameter settings.

Once setup is complete, protect parameter settings with a password from unauthorized personnel.

NEW

ND/HD Selection

Dual ratings to fit a wide range of application needs.

Select between Normal Duty and Heavy Duty for optimized torque performance.

Functions at Start and Stop

NEW

Overexcitation Braking

Perfect for applications with high load inertia that rarely need to be stopped.

Stop quickly—50% faster without the use of a braking resistor.

* Stopping times may vary based on motor characteristics.

DC Injection Braking at Start

Halt a coasting motor and start it back up again.

When the direction of a coasting motor is unknown, the drive automatically performs DC Injection to bring the motor to a halt and then start it back up again.

Speed Search

Start a coasting motor.

Automatically brings a coasting motor back to the target frequency without the need for extra speed sensors.

Accel/Decel Time Switch

Switch easily between accel/decel times.

Set different acceleration and deceleration times based on load status and change between those times during operation.

S-Curve Time

Prevent sudden shock when starting and stopping the application.

Drive lets the user fine-tune the S-curve characteristics, allowing for smooth acceleration and deceleration.

Stopping Method Selection

Determine the best way to stop the application.

Program the drive to stop the motor in the way most appropriate for the application.

Reference Functions

Run Command Selection

Select a Run command input method.

Tell the drive where the Run command is to be given from: the operator, external terminals, or serial communications.

Speed Reference Selection

Select a speed reference input method.

Tell the drive where the speed reference is given from: the operator, external terminals, or serial communications. Determine the type of input for the speed reference, whether a voltage input or current input signal should be used.

Multi-Function Input

Select from a wide range of input terminal functions.

A multitude of 5 input functions available to best suit your application needs.

Multi-Function Output

Select the output functions optimal for your application.

An array of output functions are available to match your application needs.

Frequency Reference Upper/Lower Limits

Limit motor speed.

Set speed limits and eliminate the need for extra peripheral devices and extraneous hardware.

Multi-Step Speed

Easily program a speed sequence with multiple steps.

Set up to 9 separate speeds to create a speed sequence for the application. The drive can easily be connected to a PLC and allow for a simple positioning with limit switches.

Frequency Jump

Skip over troublesome resonant frequencies.

Drive can be programmed to avoid machine resonance problems by avoiding constant speed operation at certain speed.

Frequency Reference Hold

Improved operability.

Momentarily hold the operating frequency during acceleration or deceleration as the load is lowered or raised.

Up/Down

Improved operability.

Raise or lower the frequency reference using a remote switch.

NEW

LOCAL/REMOTE

Switch between remote operating locations.

Easily switch between controlling the drive directly with the keypad or from a control panel at some remote location.

Functions for Top Performance

V/f Pattern Characteristics

Set a V/f pattern suited for the motor characteristics.

Select the V/f pattern freely to gain optimal motor torque with any load condition.

NEW

Phase Order Change

Easily change the direction of motor rotation.

Change the direction of motor rotation more easily with parameter settings rather than reversing output phase cables to the motor. A time saver when wiring has accidentally been reversed.

Reverse Prevention

Prohibit reverse rotation.

This function keeps the application from rotating in reverse and prevents machine damage, even if a reverse command is accidentally entered.

NEW

Swing PWM

Suppress noise and reduce motor sound.

Creates a more pleasant work environment while suppressing noise and leakage current.

Torque Compensation

Enable automatic adjustment regardless of load fluctuations.

The YASKAWA original full-range fully-automatic torque boost function applies an optimum voltage to the motor regardless of load fluctuations, thus ensuring stable torque output.

Slip Compensation

Suppress speed fluctuation.

Keeps motor speed constant despite changes to the load.

Electronic Thermal Overload

Detect motor overload.

Monitors changes in current to protect the motor. Select the best motor overload protection for the motor type.

Frequency Detection

Use frequency detection for brake control.

The drive can output a signal when the output frequency exceeds a specified level.

Overtorque Detection

Keep the application running while protecting connected machinery.

Overtorque detection senses motor torque and notifies the user immediately when a filter clogs or the machine is blocked by mechanical problems.

Protective Functions

Momentary Power Loss Ride-Thru

Keep running even during a momentary loss in power.

J1000 automatically restarts the motor and keeps the application going in the event of a power loss.

Stall Prevention

Better reliability: Keep the application running while protecting the load.

Keeps the machine running by preventing motor stall caused by motor overload or rapid speed changes.

Fault Restart

Keep running when a fault occurs.

J1000 has full self-diagnostic features to keep the application running in the event of a fault. Up to 10 restarts possible.

Maintenance

NEW

Verify Menu

Quickly reference all changes to parameter settings.

Review any setting changes in the drive. Particularly helpful during maintenance when performing a test run.

NEW

Accumulated Operation Time

Monitor drive operation time.

Keep track of operation time to ensure the drive and application are in top condition.

NEW

Maintenance Monitor

Monitor cooling fan and capacitor service life.

Easily check total operation time of various components. Extremely useful for maintenance records and preventative maintenance.

Fan ON/OFF Control

Extend cooling fan operating life.

Maximize cooling fan life by shutting the fan off when the drive is not in operation.



Parameter List

Refer to J1000 Installation & Start-Up Manual for details.

Function	No.	Name	Range	Default
Initialization Parameters	A1-01	Access Level Selection	0, 2	2
	A1-03	Initialize Parameters	0 to 3330	0
	A1-04	Password 1	0 to 9999	0
	A1-05	Password 2	0 to 9999	0
Operation Mode Selection	b1-01	Frequency Reference Selection	0 to 3	1
	b1-02	Run Command Selection	0 to 2	1
	b1-03	Stopping Method Selection	0, 1	0
	b1-04	Reverse Operation Selection	0, 1	0
	b1-07	LOCAL/REMOTE Run Selection	0, 1	0
	b1-08	Run Command Selection while in Programming Mode	0 to 2	0
	b1-14	Phase Order Selection	0, 1	0
DC Injection Braking	b1-17	Run Command at Power Up	0, 1	0
	b2-02	DC Injection Braking Current	0 to 75	50%
	b2-03	DC Injection Braking Time/ DC Excitation Time at Start	0.00 to 10.00	0.00 s
Acceleration and Deceleration Times	b2-04	DC Injection Braking Time at Stop	0.00 to 10.00	0.50 s
	C1-01	Acceleration Time 1	0.0 to 6000.0	10.0 s
	C1-02	Deceleration Time 1	0.0 to 6000.0	10.0 s
	C1-03	Acceleration Time 2	0.0 to 6000.0	10.0 s
	C1-04	Deceleration Time 2	0.0 to 6000.0	10.0 s
S-Curve Characteristics	C1-09	Fast-Stop Time	0.0 to 6000.0	10.0 s
	C2-01	S-Curve Characteristic at Accel Start	0.00 to 10.00	0.20 s
	C2-02	S-Curve Characteristic at Accel End	0.00 to 10.00	0.20 s
	C2-03	S-Curve Characteristic at Decel Start	0.00 to 10.00	0.20 s
Slip Compensation	C2-04	S-Curve Characteristic at Decel End	0.00 to 10.00	0.00 s
	C3-01	Slip Compensation Gain	0.0 to 2.5	0.0
Torque Compensation	C3-02	Slip Compensation Primary Delay Time	0 to 10000	2000 ms
	C4-01	Torque Compensation Gain	0.00 to 2.50	1.00
Carrier Frequency	C6-01	Normal/Heavy Duty Selection	0, 1	1
	C6-02	Carrier Frequency Selection	1 to F	*2
	C6-03	Carrier Frequency Upper Limit	1.0 to 15.0	*3
	C6-04	Carrier Frequency Lower Limit	1.0 to 15.0	*3
	C6-05	Carrier Frequency Proportional Gain	00 to 99	*3
Frequency Reference	d1-01	Frequency Reference 1	0.00 to 400.00	0.00 Hz
	d1-02	Frequency Reference 2		0.00 Hz
	d1-03	Frequency Reference 3		0.00 Hz
	d1-04	Frequency Reference 4		0.00 Hz
	d1-05	Frequency Reference 5		0.00 Hz
	d1-06	Frequency Reference 6		0.00 Hz
	d1-07	Frequency Reference 7		0.00 Hz
	d1-08	Frequency Reference 8		0.00 Hz
	d1-17	Jog Frequency Reference		6.00 Hz
Frequency Upper and Lower Limits	d2-01	Frequency Reference Upper Limit	0.0 to 110.0	100.0%
	d2-02	Frequency Reference Lower Limit	0.0 to 110.0	0.0%
Jump Frequency	d3-01	Jump Frequency 1	0.0 to 400.0	0.0 Hz
	d3-02	Jump Frequency 2	0.0 to 400.0	0.0 Hz
	d3-04	Jump Frequency Width	0.0 to 20.0	1.0 Hz
Frequency Reference Hold	d4-01	Frequency Reference Hold Function Selection	0, 1	0
V/f Pattern Characteristics	E1-01	Input Voltage Setting	155 to 255*1	200 V
	E1-03	V/f Pattern Selection	F	F*7
	E1-04	Max Output Frequency	40.0 to 400.0	60.0 Hz
	E1-05	Max Output Voltage	0.0 to 255.0	200.0 V*1
	E1-06	Base Frequency	0.0 to E1-04	60.0 Hz
	E1-07	Mid Output Frequency	0.0 to E1-04	3.0 Hz
	E1-08	Mid Output Frequency Voltage	0.0 to 255.0	16.0 V*1
	E1-09	Minimum Output Frequency	0.0 to E1-04	1.5 Hz
	E1-10	Minimum Output Frequency Voltage	0.0 to 255.0	12.0 V*1

Function	No.	Name	Range	Default
Motor Parameters	E2-01	Motor Rated Current	10% to 200% of the drive rated current	*2
	E2-02	Motor Rated Slip	0.00 to 20.00	*2
	E2-03	Motor No-Load Current	0 to less than E2-01	*2
	E2-05	Motor Line-to-Line Resistance	0.000 to 65.000*4	*2
Multi-Function Digital Inputs	H1-01	Multi-Function Digital Input Terminal S1 Function Selection	1 to 67	40
	H1-02	Multi-Function Digital Input Terminal S2 Function Selection	1 to 67	41
	H1-03	Multi-Function Digital Input Terminal S3 Function Selection	0 to 67	24
	H1-04	Multi-Function Digital Input Terminal S4 Function Selection	0 to 67	14
	H1-05	Multi-Function Digital Input Terminal S5 Function Selection	0 to 67	3 (0) *5
Multi-Function Digital Outputs	H2-01	Terminal MA, MB and MC Function Selection (relay)	0 to 13D	E
Analog Inputs	H3-01	Terminal A1 Signal Level Selection	0 to 3	0
	H3-03	Terminal A1 Gain Setting	-999.9 to 999.9	100.0%
	H3-04	Terminal A1 Bias Setting	-999.9 to 999.9	0.0%
	H3-13	Analog Input Filter Time Constant	0.00 to 2.00	0.03 s
Multi-Function Analog Outputs	H4-01	Multi-Function Analog Output Terminal AM	000 to 999	102
	H4-02	Multi-Function Analog Output Terminal AM Gain	-999.9 to 999.9	100.0%
	H4-03	Multi-Function Analog Output Terminal AM Bias	-999.9 to 999.9	0.0%
MEMOBUS/Modbus Communications	H5-01	Drive Slave Address	0 to FF	1F
	H5-02	Communication Speed Selection	0 to 5	3
	H5-03	Communication Parity Selection	0 to 2	0
	H5-04	Stopping Method After Communication Error	0 to 3	3
	H5-05	Communication Fault Detection Selection	0, 1	1
	H5-06	Drive Transmit Wait Time	10 to 65	10 ms
	H5-07	RTS Control Selection	0, 1	1
	H5-12	Run Command Method Selection	0, 1	0
H5-13	MEMOBUS Frequency Reference and Frequency Monitor Unit	0 to 3	0	
Motor Protection Functions	L1-01	Motor Overload Protection Selection	0 to 2	1
	L1-02	Motor Overload Protection Time	0.1 to 5.0	1.0 min
	L1-13	Continuous Electrothermal Operation Selection	0, 1	1
Momentary Power Loss	L2-01	Momentary Power Loss Operation Selection	0 to 2	0
Stall Prevention Functions	L3-01	Stall Prevention Selection during Acceleration	0, 1	1
	L3-02	Stall Prevention Level during Acceleration	0 to 150	*6
	L3-04	Stall Prevention Selection during Deceleration	0, 1, 4	1
	L3-05	Stall Prevention Selection during Run	0 to 2	1
	L3-06	Stall Prevention Level during Run	30 to 150	*6
	Frequency Detection	L4-01	Speed Agreement Detection Level	0.0 to 400.0
L4-07		Frequency Detection Conditions	0, 1	0
Fault Reset	L5-01	Number of Auto Restart Attempts	0 to 10	0
Overtorque Detection	L6-01	Torque Detection Selection 1	0 to 4	0
	L6-02	Torque Detection Level 1	0 to 300	150%
	L6-03	Torque Detection Time 1	0.0 to 10.0	0.1 s
Hardware Protection	L8-01	Internal Dynamic Braking Resistor Protection Selection (ERF type)	0, 1	0
	L8-05	Input Phase Loss Protection Selection	0, 1	0
	L8-10	Heatsink Cooling Fan Operation Selection	0, 1	0
	L8-12	Ambient Temperature Setting	-10 to 50	30°C
	L8-18	Soft CLA Selection	0, 1	1
	L8-35	Installation Method Selection	0 to 3	*2*7
	L8-38	Carrier Frequency Reduction	0 to 2	1
Hunting Prevention	n1-02	Hunting Prevention Gain Setting	0.00 to 2.50	1.00
High-Slip Braking	n3-13	Overexcitation Deceleration Gain	1.00 to 1.40	1.10
Display Settings	o1-02	User Monitor Selection After Power Up	1 to 4	1
	o1-03	Digital Operator Display Selection	0, 1	0
Operator Keypad Functions	o2-02	STOP Key Function Selection	0, 1	1
	o2-04	Drive Model Selection	0 to FF	*2*7
	o2-05	Frequency Reference Setting Method Selection	0, 1	0
	o2-06	Operation Selection when Digital Operator is Disconnected	0, 1	0
	o2-09	Reserved	-	-
Copy Functions	o3-01	Copy Function Selection	0 to 3	0
	o3-02	Copy Allowed Selection	0, 1	0
Maintenance Period	o4-01	Accumulated Operation Time Setting	0 to 9999	0
	o4-02	Accumulated Operation Time Selection	0, 1	0
	o4-03	Cooling Fan Operation Time Setting	0 to 9999	0
	o4-05	Capacitor Maintenance Setting	0 to 150	0%
	o4-07	Soft Charge Bypass Relay Maintenance Setting	0 to 150	0%
	o4-09	IGBT Maintenance Setting	0 to 150	0%
	o4-11	U2 Initialize Selection	0, 1	0

*1: Values shown here are for 200 V class drives. Double the value when using a 400 V class drive.

*2: Default setting value is dependent on parameter o2-04, Drive Model Selection.

*3: Default setting value is dependent on parameter C6-02, Carrier Frequency Selection.

*4: 0.0 to 130.00 for drives less than 0.2 kW.

*5: Value in brackets indicates default when 3-wire initialization is performed (A1-03 = 3330).

*6: Default setting value is 120% when C6-01 is set to 1 (ND) and 150% when C6-01 is set to 0 (HD).

*7: This value is not reset when the drive is initialized with parameter A1-03.

Basic Instructions

Quick Setup,
Easy to Operate

Operator Names and Functions

Data display (5-digit)

Displays frequency, parameter number, and other data.

LO/RE light

Lights to indicate that the operator is set for LOCAL.

LO/RE key

Determines where the Run command and frequency reference come from: the keypad (LOCAL) or the control terminals (REMOTE).

ESC key

Lets the user back up to the previous display screen.

Right arrow key

Scrolls the cursor to the right.

RESET key

Resets a fault.

Down arrow key

Scrolls down through the display screen, and decreases a selected value.

LED panel

More information listed below.

RUN light

Lights when the Run command is present.

RUN key

Issues a Run command.

Up arrow key

Scrolls up through the display screen, and increases a selected value.

STOP key

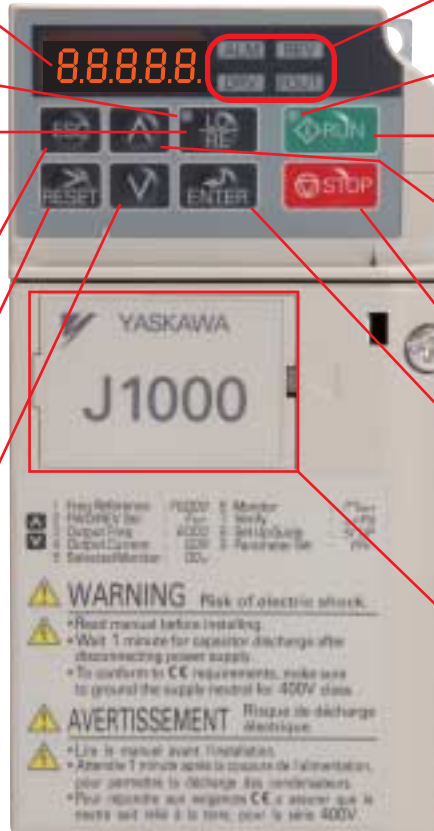
Issues a Stop command.

ENTER key

Press to enter values, edit parameters, and set the control mode. Press this key to proceed to the next screen when scrolling through various menu displays.

Com port

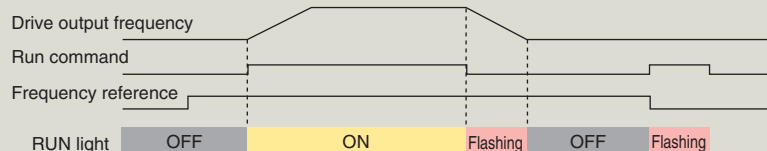
Connect an optional interface for serial communications, remote operator, USB copy unit, or link to a PC using DriveWizard Plus.



LED Display Guide

LED	ON	Flashing	OFF
ALM	A fault has occurred.	· Alarm situation detected. · Operator error (OPE)	Normal operation
REV	Motor is rotating in reverse.	—	Motor is rotating forward.
DRV	In the "Drive Mode"	—	Programming Mode
FOUT	Output frequency	—	—
LO/RE	Run command assigned to the operator (LOCAL)	—	Run command assigned to remote location (REMOTE)
RUN	During run	· During deceleration · Run command is present but the frequency reference is zero.	Drive is stopped.

How the RUN light works:



Operation Example

Using the LED Operator to Run the Drive

Steps	Key	Result/Display
1 Turn the power on.		F 0.00
2 Set the drive for LOCAL. The frequency reference is displayed.		LO RE LO should light. F 0.00
3 Displays the direction (forward).		For
4 Displays the output frequency.		0.00
5 Displays the output current.		0.00A
6 Displays the output voltage.		0.0V
7 Displays the beginning of the Monitor Menu.		flashing r7on
8 Displays the top of the Verify Menu.		flashing urFY
9 Displays the top of the Setup Mode.		flashing srUP
10 Displays the top of the parameter settings menu.		PAR
Returns back to the frequency reference display.		

Value will flash when it is possible to change the setting.

Drive Mode: Run and Stop commands, displays operation status such as the frequency reference, output frequency, output current, output voltage, etc.

How to Monitor the Frequency Reference

Steps	Key	Result/Display
Use the arrow keys to select the digits to set.		F00.00
		F00.00
		F06.00
		F06.00
Press enter to save the new value.		F06.00 "End" appears while the drive saves the new data.
		F06.00 DRV DRV lights up.

Monitor Mode: Displays operation status and information on faults.

Steps	Key	Result/Display
Selecting a Monitor for Display Displays U1-01, the frequency reference monitor.		U1-01
		6.00
		U1-01
		U1-02
Select another monitor.		U1-26
		U1-26
		r7on
Back up to the top of the Monitor Menu.		r7on

Verify Menu: Displays parameters changed from the default settings.

Steps	Key	Result/Display
Lists parameters that have been changed in order. Pressing Enter displays the parameter value.		C1-01
		00030
		C1-01
		C1-02
Returns to the top of the Verify Menu.		C6-02
		urFY
		urFY

Press to go back to the previous display screen.

Setup Mode

The Setup Mode allows you to view and set up the minimum-required parameters to run the drive.

Steps	Key	Result/Display
Parameter check		b1-01
		C1-01
Setting change		00 100
		00 100
		00200
		C1-01
		C1-01

Scroll using the up arrow key and see which parameters have been selected.

Setup Mode Parameters

No.	Name	No.	Name
b1-01	Frequency Reference Selection	d1-17	Jog Frequency Reference
b1-02	Run Command Selection	E1-01	Input Voltage Setting
b1-03	Stopping Method Selection	E1-04	Max Output Frequency
C1-01	Acceleration Time 1	E1-05	Max Output Voltage
C1-02	Deceleration Time 1	E1-06	Base Frequency
C6-01	Normal/Heavy Duty Selection	E1-09	Minimum Output Freq.
C6-02	Carrier Frequency Selection	E2-01	Motor Rated Current
d1-01	Frequency Reference 1	H4-02	Multi-Function Analog Output Terminal AM Gain
d1-02	Frequency Reference 2	L1-01	Motor Overload Protection Selection
d1-03	Frequency Reference 3	L3-04	Stall Prevention Selection during Deceleration
d1-04	Frequency Reference 4	-	-

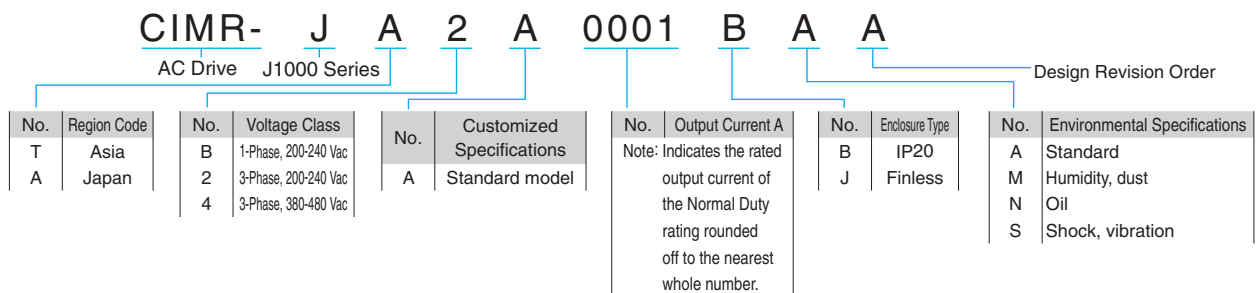
Product Lineup

Number in parenthesis indicates the rated output current.

Motor Capacity (kW)	Three-Phase 200 V		Single-Phase 200 V		Three-Phase 400 V	
	Normal Duty	Heavy Duty	Normal Duty	Heavy Duty	Normal Duty	Heavy Duty
0.1		CIMR-JA2A0001 (0.8 A)		CIMR-JABA0001 (0.8 A)		
0.2	CIMR-JA2A0001 (1.2 A)	CIMR-JA2A0002 (1.6 A)	CIMR-JABA0001 (1.2 A)	CIMR-JABA0002 (1.6 A)		CIMR-JA4A0001 (1.2 A)
0.4	CIMR-JA2A0002 (1.9 A)	CIMR-JA2A0004 (3 A)	CIMR-JABA0002 (1.9 A)	CIMR-JABA0003 (3 A)	CIMR-JA4A0001 (1.2 A)	CIMR-JA4A0002 (1.8 A)
0.75	CIMR-JA2A0004 (3.5 A)	CIMR-JA2A0006 (5 A)	CIMR-JABA0003 (3.3 A)	CIMR-JABA0006 (5 A)	CIMR-JA4A0002 (2.1 A)	CIMR-JA4A0004 (3.4 A)
1.1	CIMR-JA2A0006 (6 A)	CIMR-JA2A0008* (6.9 A)	CIMR-JABA0006 (6 A)			
1.5	CIMR-JA2A0008* (8 A)	CIMR-JA2A0010 (8 A)		CIMR-JABA0010 (8 A)	CIMR-JA4A0004 (4.1 A)	CIMR-JA4A0005 (4.8 A)
2.2	CIMR-JA2A0010 (9.6 A)	CIMR-JA2A0012 (11 A)	CIMR-JABA0010 (9.6 A)		CIMR-JA4A0005 (5.4 A)	CIMR-JA4A0007 (5.5 A)
3.0	CIMR-JA2A0012 (12 A)	CIMR-JA2A0018* (14 A)			CIMR-JA4A0007 (6.9 A)	CIMR-JA4A0009 (7.2 A)
3.7	CIMR-JA2A0018* (17.5 A)	CIMR-JA2A0020 (17.5 A)			CIMR-JA4A0009 (8.8 A)	CIMR-JA4A0011 (9.2 A)
5.5	CIMR-JA2A0020 (19.6 A)				CIMR-JA4A0011 (11.1 A)	

*: Available in Japan only

Model Number Key



Note: Contact a Yaskawa representative for more on environmental specifications.

J Standard Specifications

Parameter C6-01 sets the drive for Normal Duty or Heavy Duty performance.

200 V Class (Three-Phase/Single-Phase)

Value in brackets is for a single-phase drive.

Model	Three-Phase CIMR-JA2A		0001	0002	0004	0006	0008*9	0010	0012	0018*9	0020		
	Single-Phase*1 CIMR-JABA		0001	0002	0003	0006	–	0010	–	–	–		
Max. Applicable Motor Capacity*2		kW	Normal Duty	0.2	0.4	0.75	1.1	1.5	2.2	3.0	3.7	5.5	
			Heavy Duty	0.1	0.2	0.4	0.75	1.1	1.5	2.2	3.0	3.7	
Input	Rated Input Current*3	A	Three-phase	Normal Duty	1.1	1.9	3.9	7.3	8.8	10.8	13.9	18.5	24.0
			Heavy Duty	0.7	1.5	2.9	5.8	7.0	7.5	11.0	15.6	18.9	
		Single-phase	Normal Duty	2.0	3.6	7.3	13.8	–	20.2	–	–	–	
			Heavy Duty	1.4	2.8	5.5	11.0	–	14.1	–	–	–	
Output	Rated Output Capacity*4	kVA	Normal Duty*5	0.5	0.7	1.3	2.3	3.0	3.7	4.6	6.7	7.5	
			Heavy Duty	0.3*6	0.6*6	1.1*6	1.9*6	2.6*7	3.0*7	4.2*7	5.3*7	6.7*7	
	Rated Output Current	A	Normal Duty*5	1.2	1.9	3.5(3.3)	6.0	8.0	9.6	12.0	17.5	19.6	
			Heavy Duty	0.8*6	1.6*6	3.0*6	5.0*6	6.9*7	8.0*7	11.0*7	14.0*7	17.5*7	
	Overload Tolerance	Normal Duty Rating: 120% of rated output current for 60 s. Heavy Duty Rating: 150% of rated output current for 60 s. (Derating may be required for repetitive loads)											
	Carrier Frequency	2 kHz (user-set, 2 to 15 kHz possible)											
Max. Output Voltage	Three-phase power supply: three-phase 200 to 240 V (relative to input voltage) Single-phase power supply: three-phase 200 to 240 V (relative to input voltage)												
Max. Output Frequency	400 Hz (user-set)												
Power	Rated Voltage/Rated Frequency		Three-phase AC power supply: 200 to 240 V 50/60 Hz DC power supply: 270 to 340 V*8 Single-phase AC power supply: 200 to 240 V 50/60 Hz										
	Allowable Voltage Fluctuation		–15% to +10%										
	Allowable Frequency Fluctuation		±5%										
	Power Supply	kVA	Three-phase	Normal Duty	0.5	0.9	1.8	3.3	4.0	4.9	6.4	8.5	11.0
			Heavy Duty	0.3	0.7	1.3	2.7	3.2	3.4	5.0	7.1	8.6	
Single-phase		Normal Duty	0.5	1.0	1.9	3.6	–	5.3	–	–	–		
		Heavy Duty	0.4	0.7	1.5	2.9	–	3.7	–	–	–		

*1: Drives with a single-phase power supply input have three-phase output. Single-phase motors cannot be used.

*2: The motor capacity (kW) refers to a Yaskawa 4-pole, 60 Hz, 200 V motor. The rated output current of the drive output amps should be equal to or greater than the motor rated current.

*3: Value displayed is for the input current when operating Yaskawa standard motors of max. applicable capacity with the rated load at the rated motor speed.

This value may fluctuate based on the power supply side impedance, as well as the input current, power supply transformer, input side reactor, and wiring conditions.

*4: Rated output capacity is calculated with a rated output voltage of 220 V.

*5: This value assumes a carrier frequency of 2 kHz. Increasing the carrier frequency requires a reduction in current.

*6: This value assumes a carrier frequency of 10 kHz. Increasing the carrier frequency requires a reduction in current.

*7: This value assumes a carrier frequency of 8 kHz. Increasing the carrier frequency requires a reduction in current.

*8: Not compliant with UL or CE standards when using a DC power supply.

*9: These models are available in Japan only.

400 V Class (Three-phase)

Model	CIMR-JA4A		0001	0002	0004	0005	0007	0009	0011			
Max. Applicable Motor Capacity*1		kW	Normal Duty	0.4	0.75	1.5	2.2	3.0	3.7	5.5		
			Heavy Duty	0.2	0.4	0.75	1.5	2.2	3.0	3.7		
Input	Rated Input Current*2	A	Normal Duty	1.2	2.1	4.3	5.9	8.1	9.4	14.0		
			Heavy Duty	1.2	1.8	3.2	4.4	6.0	8.2	10.4		
Output	Rated Output Capacity*3	kVA	Normal Duty*4	0.9	1.6	3.1	4.1	5.3	6.7	8.5		
			Heavy Duty*5	0.9	1.4	2.6	3.7	4.2	5.5	7.0		
	Rated Output Current	A	Normal Duty*4	1.2	2.1	4.1	5.4	6.9	8.8	11.1		
			Heavy Duty*5	1.2	1.8	3.4	4.8	5.5	7.2	9.2		
Overload Tolerance	Normal Duty Rating: 120% of rated output current for 60 s. Heavy Duty Rating: 150% of rated output current for 60 s. (Derating may be required for repetitive loads)											
Carrier Frequency	2 kHz (user-set, 2 to 15 kHz possible)											
Max. Output Voltage	Three-phase 380 to 480 V (relative to input voltage)											
Max. Output Frequency	400 Hz (user-set)											
Power	Rated Voltage/Rated Frequency		Three-phase AC power supply: 380 to 480 V 50/60 Hz DC power supply: 510 to 680 V*6									
	Allowable Voltage Fluctuation		–15% to +10%									
	Allowable Frequency Fluctuation		±5%									
	Power Supply	kVA	Normal Duty	1.1	1.9	3.9	5.4	7.4	8.6	13.0		
Heavy Duty			1.1	1.6	2.9	4.0	5.5	7.5	9.5			

*1: The motor capacity (kW) refers to a Yaskawa 4-pole, 60 Hz, 400 V motor. The rated output current of the drive output amps should be equal to or greater than the motor rated current.

*2: Value displayed is for the input current when operating Yaskawa standard motors of max. applicable capacity with the rated load at the rated motor speed.

This value may fluctuate based on the power supply side impedance, as well as the input current, power supply transformer, input side reactor, and wiring conditions.

*3: Value displayed is for when operating at the rated output current. Rated output capacity is calculated with a rated output voltage of 440 V.

*4: This value assumes a carrier frequency of 2 kHz. Increasing the carrier frequency requires a reduction in current.

*5: This value assumes a carrier frequency of 8 kHz. Increasing the carrier frequency requires a reduction in current.

*6: Not compliant with UL or CE standards when using a DC power supply.

Common Specifications

Item		Specifications
Control Characteristics	Control Method	V/f Control
	Frequency Control Range	0.01 to 400 Hz
	Frequency Accuracy (Temperature Fluctuation)	Digital reference: within $\pm 0.01\%$ of the max. output frequency (-10 to $+50^{\circ}\text{C}$) Analog reference: within $\pm 0.1\%$ of the max. output frequency ($25 \pm 10^{\circ}\text{C}$)
	Frequency Setting Resolution	Digital reference: 0.01 Hz Analog reference: 1/1000 of max. frequency
	Output Frequency Resolution	20 bit resolution at maximum output frequency
	Frequency Setting Resolution	Main frequency reference: 0 to 10 Vdc (20 k Ω), 4 to 20 mA (250 Ω), 0 to 20 mA (250 Ω)
	Starting Torque	150% / 3 Hz
	Speed Control Range	1:20 to 1:40
	Accel/Decel Time	0.0 to 6000.0 s (2 selectable combinations of independent acceleration and deceleration settings)
	Braking Torque	① Short-time decel torque*1: over 150% for 0.1/0.2 kW motors, over 100% for 0.4/ 0.75 kW motors, over 50% for 1.5 kW motors, and over 20% for 2.2 kW and above motors. ② Continuous regen. torque: approx. 20% (approx. 125% with dynamic braking resistor option*2: 10% ED, 10 s, internal braking transistor)
	V/f Characteristics	User-selected programs, V/f preset patterns possible
	Main Control Functions	Momentary power loss ride-thru, Speed search, 9-step speed (max), Accel/decel time switch, S-curve accel/decel, 3-wire sequence, Cooling fan on/off switch, Slip compensation, Torque compensation, Frequency jump, Upper/lower limits for frequency reference, DC injection braking at start and stop, Overexcitation braking, Fault restart ...
Protection Function	Motor Protection	Motor overheat protection based on output current
	Momentary Overcurrent Protection	Drive stops when output current exceeds 200% of Heavy Duty Rating
	Overload Protection	Drive stops after 60 s at 150% of rated output current (Heavy Duty Rating)*3
	Overvoltage Protection	200 V class: Stops when DC bus exceeds approx. 410 V 400 V class: Stops when DC bus exceeds approx. 820 V (approx. 740 V when the power supply voltage is less than 400 V)
	Undervoltage Protection	Three-phase 200 V class: Stops when DC bus exceeds approx. 190 V Single-phase 200 V class: Stops when DC bus exceeds approx. 160 V Three-phase 400 V class: Stops when DC bus exceeds approx. 380 V (approx. 350 V when the power supply voltage is less than 400 V)
	Momentary Power Loss Ride-Thru	Stops after approx. 15 ms (default).
	Heatsink Overheat Protection	Protection by thermistor
	Braking Resistance Overheat Protection	Overheat sensor for braking resistor (optional ERF-type, 3% ED)
	Stall Prevention	Separate settings allowed during acceleration and during run. Enable/disable only during deceleration.
	Ground Fault Protection	Protection by electronic circuit *4
Charge LED	Charge LED remains lit until DC bus has fallen below approx. 50 V	
Operating Environment	Area of Use	Indoors
	Ambient Temperature	-10 to $+50^{\circ}\text{C}$ (open chassis), -10 to $+40^{\circ}\text{C}$ (NEMA Type 1)
	Humidity	95 RH% or less (no condensation)
	Storage Temperature	-20 to $+60^{\circ}\text{C}$ (short-term temperature during transportation)
	Altitude	Up to 1000 meters
Shock	10 to less than 20 Hz (9.8 m/s ²) max., 20 to 55 Hz (5.9 m/s ²) max.	
Safety Standard	·UL508C ·EN61800-3, EN61800-5-1	
Protection Design	IP20 open-chassis, NEMA Type 1 enclosure (option)	

*1: Momentary average deceleration torque refers to the deceleration torque from 60Hz down to 0 Hz. This may vary depending on the motor.

*2: Parameter L3-04 should be disabled when a Braking Resistor or Braking Resistor Unit is connected.

*3: Overload protection may be triggered at lower levels if output frequency is below 6 Hz.

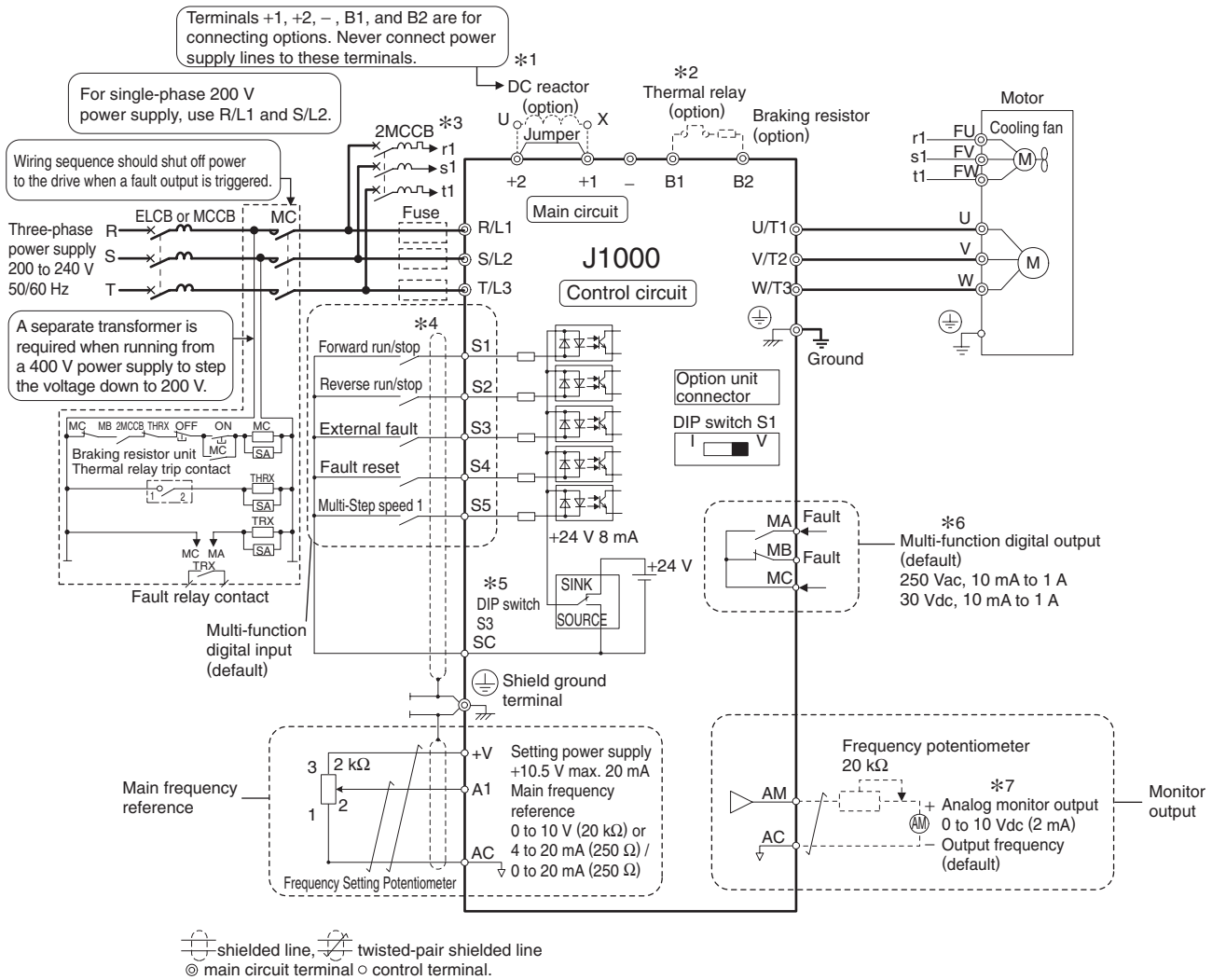
*4: Protection may not be provided under the following conditions as the motor windings are grounded internally during run:

- Low resistance to ground from the motor cable or terminal block.
- Drive already has a short-circuit when the power is turned on.

J Standard Connection Diagram

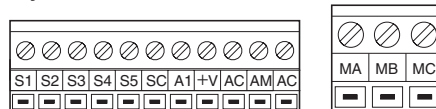
Standard Connection Diagram

Example: 200 V Class



- *1: Remove the jumper between terminals +1 and +2 when installing an optional DC reactor.
- *2: The MC on the input side of the main circuit should open when the thermal relay is triggered.
- *3: Self-cooled motors do not require separate cooling fan motor wiring.
- *4: Connected using sequence input signal (S1 to S5) from NPN transistor.
Default: sink mode (0 V com)
- *5: Sinking mode requires an internal 24 V power supply. Source mode requires an external power supply. Refer to J1000 Installation & Start-Up Manual for details.
- *6: Minimum load: 5 Vdc, 10 mA (reference value)
- *7: Monitor outputs work with devices such as analog frequency meters, current meters, voltmeters, and watt meters. They cannot be used in a control system requiring feedback.

Control Circuit and Terminal Layout



Terminal Functions

Main Circuit Terminals

Terminal	Terminal Name	Function (Signal Level)
R/L1	Main circuit power supply input	Connects line power to the drive. Drives with single phase 200 V input power use terminals R/L1 and S/L2 only (do not use T/L3).
S/L2		
T/L3		
U/T1	Drive output	Connects to the motor.
V/T2		
W/T3		
B1	Braking resistor/ Braking resistor unit	Available for connecting a braking resistor or braking resistor unit.
B2		
+1	DC reactor connection	These terminals are shorted for shipment. Remove the jumper creating the short to install a DC choke.
+2		
+1	DC power supply input	For connecting a DC power supply. Note: DC power supply input terminals (+1, -) are not UL/cUL and CE certified.
-		
⊕ Two terminals	Ground	Grounding terminal Grounding resistance for 200 V class: 100 Ω or less Grounding resistance for 400 V class: 10 Ω or less

Control Circuit Input Terminals

Terminal	No.	Terminal Name (Function)	Function (Signal Level)	Default Setting
Multi-function digital input	S1	Multi-function input 1	Closed: Forward run (default) Open: Stop	Photocoupler 24 Vdc, 8 mA Note: Drive preset to sinking mode. When using source mode, set DIP switch S3 to allow for a 24 Vdc (±10%) external power supply.
	S2	Multi-function input 2	Closed: Reverse run (default) Open: Stop	
	S3	Multi-function input 3	External fault, N.O. (default)	
	S4	Multi-function input 4	Fault reset (default)	
	S5	Multi-function input 5	Multi-step speed reference 1 (default)	
	SC	Multi-function input common (Control common)	Sequence common	
Main frequency reference input	+V	Analog input power supply	+10.5 V (max. allowable current 20 mA)	
	A1	Main frequency reference	DIP switch S1 sets the terminal for a voltage or current input signal 0 to 10 Vdc (20 kΩ) resolution: 1/1000 4 to 20 mA or 0 to 20 mA (250 Ω) resolution: 1/500	
	AC	Frequency reference common	0 V	
Multi-function digital output	MA	N.O. output	Fault (default)	Digital output 30 Vdc or less, 10 mA to 1 A 250 Vac or less, 10 mA to 1 A
	MB	N.C. output	Fault (default)	
	MC	Digital output common		
Monitor output	AM	Analog monitor output	Output frequency (default)	0 to 10 Vdc (2 mA or less) Resolution: 1/256
	AC	Monitor common	0 V	

Note: Refrain from assigning functions to terminals MA and MB that involve frequent switching, as doing so may shorten relay performance life. Switching life is estimated at 200,000 times (assumes 1 A, resistive load).

J Dimensions

Enclosures

Standard J1000 uses an open-chassis design (IP20).

NEMA 1 kits are available to convert the standard IP20 design to a NEMA Type 1 enclosure rating.

Open-Chassis [IP20]

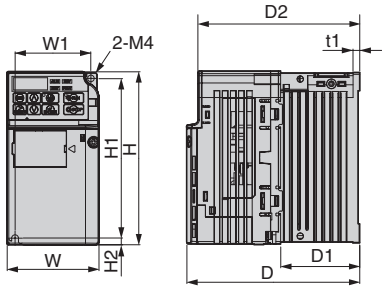


Figure 1

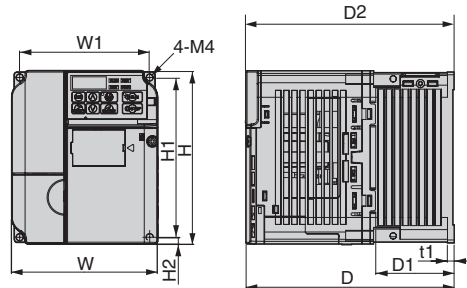


Figure 2

Voltage Class	Model CIMR-JA:.....	Figure	Dimensions (mm)									Weight (kg)	Cooling
			W	H	D	W1	H1	H2	D1	D2	t1		
200 V Class (Three-Phase)	2A0001B	1	68	128	76	56	118	5	6.5	67.5	3	0.6	Self-cooled
	2A0002B		68	128	76	56	118	5	6.5	67.5	3	0.6	
	2A0004B		68	128	108	56	118	5	38.5	99.5	5	0.9	
	2A0006B		68	128	128	56	118	5	58.5	119.5	5	1.1	
	2A0008B	2	108	128	129	96	118	5	58	120.5	5	1.7	Fan cooled
	2A0010B		108	128	129	96	118	5	58	120.5	5	1.7	
	2A0012B		108	128	137.5	96	118	5	58	129	5	1.7	
	2A0018B		140	128	143	128	118	5	65	134.5	5	2.4	
2A0020B	140	128	143	128	118	5	65	134.5	5	2.4			
200 V Class (Single-Phase)	BA0001B	1	68	128	76	56	118	5	6.5	67.5	3	0.6	Self-cooled
	BA0002B		68	128	76	56	118	5	6.5	67.5	3	0.6	
	BA0003B		68	128	118	56	118	5	38.5	109.5	5	1.0	
	BA0006B	2	108	128	137.5	96	118	5	58	129	5	1.7	Fan cooled
	BA0010B		108	128	154	96	118	5	58	145.5	5	1.8	
400 V Class (Three-Phase)	4A0001B	2	108	128	81	96	118	5	10	72.5	5	1.0	Self-cooled
	4A0002B		108	128	99	96	118	5	28	90.5	5	1.2	
	4A0004B		108	128	137.5	96	118	5	58	129	5	1.7	
	4A0005B		108	128	154	96	118	5	58	145.5	5	1.7	Fan cooled
	4A0007B		108	128	154	96	118	5	58	145.5	5	1.7	
	4A0009B		108	128	154	96	118	5	58	145.5	5	1.7	
	4A0011B		140	128	143	128	118	5	65	134.5	5	2.4	

■ Enclosure Panel [NEMA Type1]

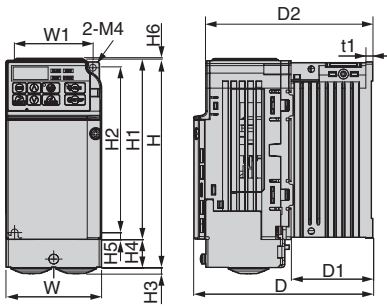


Figure 1

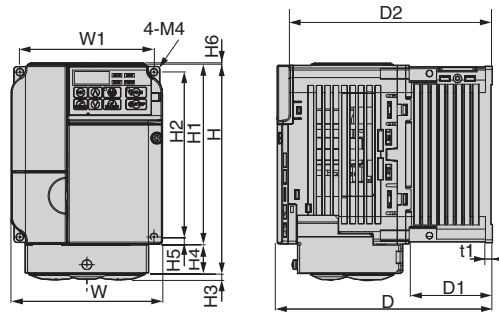


Figure 2

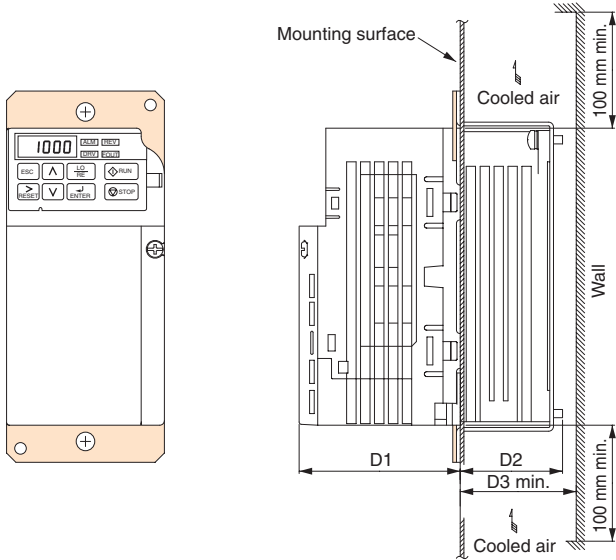
Voltage Class	Model CIMR-JA	Figure	Dimensions (mm)													Weight (kg)	Cooling	NEMA 1 Kit Code No. (Model)
			W	H	D	W1	H1	H2	H3	H4	H5	H6	D1	D2	t1			
200 V Class (Three-Phase)	2A0001B	1	68	148	76	56	128	118	5	20	5	1.5	6.5	67.5	3	0.8	Self-cooled	100-036-378 (EZZ020564A)
	2A0002B		68	148	76	56	128	118	5	20	5	1.5	6.5	67.5	3	0.8		
	2A0004B		68	148	108	56	128	118	5	20	5	1.5	38.5	99.5	5	1.1	Fan cooled	
	2A0006B		68	148	128	56	128	118	5	20	5	1.5	58.5	119.5	5	1.3		
	2A0008B	2	108	149	129	96	128	118	5	21	5	1.5	58	120.5	5	1.9	Fan cooled	100-036-380 (EZZ020564G)
	2A0010B		108	149	129	96	128	118	5	21	5	1.5	58	120.5	5	1.9		
	2A0012B		108	149	137.5	96	128	118	5	21	5	1.5	58	129	5	1.9	Fan cooled	
	2A0018B		140	149	143	128	128	118	5	21	5	5	65	134.5	5	2.6		
2A0020B	140	149	143	128	128	118	5	21	5	5	65	134.5	5	2.6				
200 V Class (Single-Phase)	BA0001B	1	68	148	76	56	128	118	5	20	5	1.5	6.5	67.5	3	0.8	Self-cooled	100-036-378 (EZZ020564A)
	BA0002B		68	148	76	56	128	118	5	20	5	1.5	6.5	67.5	3	0.8		
	BA0003B		68	148	118	56	128	118	5	20	5	1.5	38.5	109.5	5	1.2	Fan cooled	
	BA0006B	2	108	149	137.5	96	128	118	5	21	5	1.5	58	129	5	1.9		Fan cooled
	BA0010B		108	149	154	96	128	118	5	21	5	1.5	58	145.5	5	2		
400 V Class (Three-Phase)	4A0001B	2	108	149	81	96	128	118	5	21	5	1.5	10	72.5	5	1.2	Self-cooled	100-036-380 (EZZ020564G)
	4A0002B		108	149	99	96	128	118	5	21	5	1.5	28	90.5	5	1.4		
	4A0004B		108	149	137.5	96	128	118	5	21	5	1.5	58	129	5	1.9		
	4A0005B		Fan cooled	108	149	154	96	128	118	5	21	5	1.5	58	145.5	5	1.9	100-036-381 (EZZ020564C)
	4A0007B			108	149	154	96	128	118	5	21	5	1.5	58	145.5	5	1.9	
	4A0009B			108	149	154	96	128	118	5	21	5	1.5	58	145.5	5	1.9	
	4A0011B			140	149	143	128	128	118	5	21	5	5	65	134.5	5	2.6	

Note: The table above lists dimensions of standard drives using the NEMA 1 kit.

Attachment for External Heatsink

Additional attachments required for installation.
Final dimensions are taller than drive height.

Dimensions (Heatsink for a 200 V 0.4 kW drive)



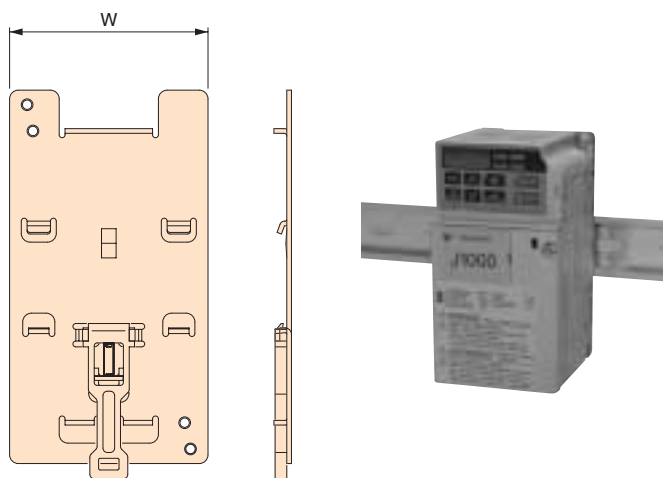
Model CIMR-JA[.....]	Dimensions (mm)			Code No. (Model)
	D1	D2	D3	
2A0001	69.5	12	30	100-034-075 (EZZ020568A)
2A0002		42	50	100-034-076 (EZZ020568B)
2A0004	69.5	62	70	100-034-077 (EZZ020568G)
2A0006		58	70	100-034-079 (EZZ020568D)
2A0008	71	65	70	100-034-080 (EZZ020568E)
2A0010				
2A0012	78	78	70	100-034-075 (EZZ020568A)
2A0018				
2A0020	69.5	42	50	100-034-076 (EZZ020568B)
BA0001				
BA0002	79.5	58	70	100-036-418 (EZZ020568C)
BA0003				
BA0006	96	58	70	100-034-079 (EZZ020568D)
BA0010				
4A0001	71	13.5	30	100-034-078 (EZZ020568L)
4A0002		28	40	100-036-418 (EZZ020568C)
4A0004	79.5	58	70	100-034-079 (EZZ020568D)
4A0005				
4A0007	96	58	70	100-034-080 (EZZ020568E)
4A0009				
4A0011	78	65	70	

DIN rail attachment available for quick mounting and disassembly.

DIN Rail Attachment

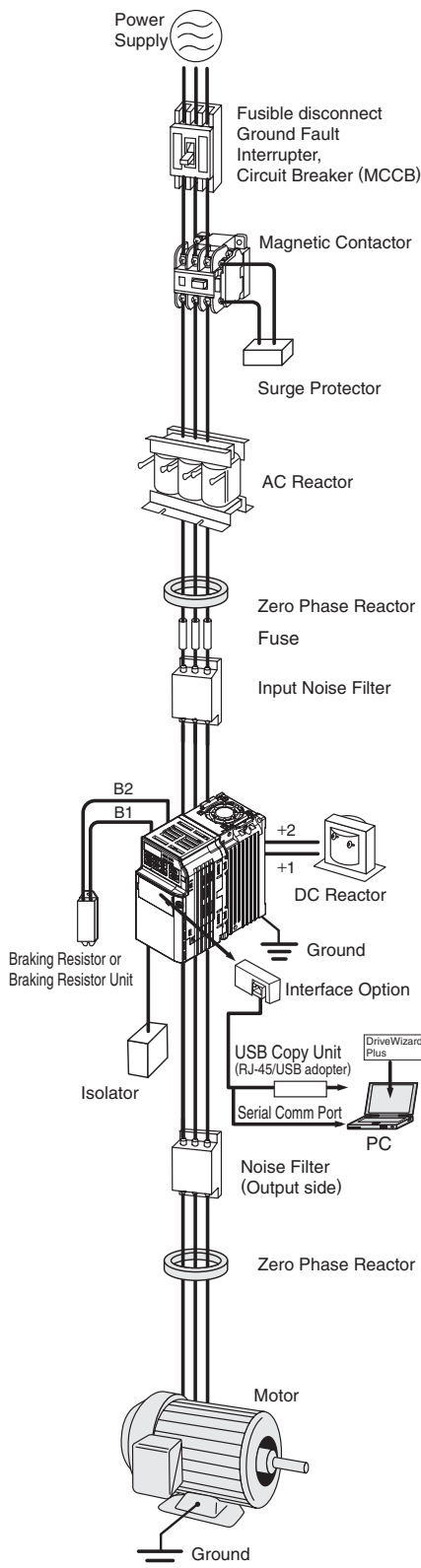
Not for use with finless-type models (models without a heatsink).

Dimensions (Heatsink for a 200 V 0.4 kW drive)



Model CIMR-JA[.....]	Width (mm)	Code No.
2A0001	68	EZZ08122A
2A0002		
2A0004	108	EZZ08122B
2A0006		
2A0008	140	EZZ08122C
2A0010		
2A0012	68	EZZ08122A
2A0018		
2A0020	108	EZZ08122B
BA0001		
BA0002	108	EZZ08122B
BA0003		
BA0006	108	EZZ08122B
BA0010		
4A0001	108	EZZ08122B
4A0002		
4A0004	140	EZZ08122C
4A0005		
4A0007	140	EZZ08122C
4A0009		
4A0011		

J Peripheral Devices and Options



Name	Purpose	Model, Manufacturer	Page
Ground Fault Interrupter (GFI)	Always install a GFI on the power-supply side to protect the power supply system and to prevent an overload at the occurrence of short circuit, and to protect the drive from ground faults that could result in electric shock or fire. Note: When a GFI is installed for the upper power supply system, an MCCB can be used instead of a GFI. (Choose a GFI designed to minimize harmonics specifically for AC drives.) Use one GFI per drive, each with a current rating of at least 30 mA.	Recommended: NV series by Mitsubishi Electric Corporation	p. 27
Circuit Breaker	Always install a circuit breaker on the power-supply side to protect the power supply system and to prevent an overload at the occurrence of a short-circuit.	Recommended: NF series by Mitsubishi Electric Corporation	p. 27
Magnetic Contactor	Interrupts the power supply to the drive. In addition to protecting drive circuitry, a magnetic contactor also prevents damage to a braking resistor if used.	Recommended: SC series by Fuji Electric FA Components & Systems Co., Ltd.	p. 28
Surge Protector	Absorbs the voltage surge from switching of electro-magnetic contactors and control relays. Install a surge protector to the magnetic contactors and control relays as well as magnetic valves and magnetic braking coil.	DCR2 series / RFN series by Nippon Chemi-Con Corporation	p. 29
DC Reactor	Used for harmonic current suppression and total improving the power factor. Should be used if the power supply capacity is larger than 600 kVA.	UZDA series	p. 30, 31
AC Reactor		UZBA series	p. 32, 33
Zero Phase Reactor	Reduces noise from the line that enters into the drive input power system. Should be installed as close as possible to the drive. Can be used on both the input and output sides.	F6045GB F11080GB by Hitachi Metals, Ltd.	p. 34
Fuse / Fuse Holder	Protects internal circuitry in the event of component failure. Fuse should be connected to the input terminal of the drive. Note: Refer to the instruction manual for information on UL approval.	CR6L series /CMS series by Fuji Electric FA Components & Systems Co., Ltd.	p.35
Capacitor-type Noise Filter	Reduces noise from the line that enters into the drive input power system. The noise filter can be used in combination with a zero-phase reactor. Note: Available for drive input only. Do not connect the noise filter to the output terminals.	3XYG 1003 by Okaya Electric Industries Co., Ltd.	p. 35
Input Noise Filter	Reduces noise from the line that enters into the drive input power system. Should be installed as close as possible to the drive. Note: For CE Marking (EMC Directive) compliant models, refer to J1000 Installation & Start-Up Manual.	LNFD series LNFB series	p. 36, 37
Output Noise Filter	Reduces noise from the line that enters into the drive input power system. Should be installed as close as possible to the drive.	LF series by NEC TOKIN Corporation	p. 38
Isolator	Isolates the drive I/O signal, and is effective in reducing inductive noise.	DGP2 series	p. 39
Braking Resistor	Used to shorten the deceleration time by dissipating regenerative energy through a resistor. (3% ED)	ERF-150WJ series CF120-B579 series	p. 40, 41
Braking Resistor Unit	Used to shorten the deceleration time by dissipating regenerative energy through a resistor. A thermal overload relay is built in. (10% ED)	LKEB series	p. 40, 41
Potentiometer Option Unit	Sets the frequency reference.	AI-V3/J	p. 42
RS-232C Interface	Interface required for use with the optional LED operator and for operating the drive with DriveWizard Plus.	SI-232/J	p. 42
RS-232C Interface (removable)	Removable interface required for use with DriveWizard Plus, the optional LED operator, and USB Copy Unit.	SI-232/JC	p. 42
USB Copy Unit (RJ-45/USB compatible)	Used to copy parameter settings, or serves as a DriveWizard cable to connect the drive with a PC. Connected between a USB connector on the PC and the RJ-45 connector on the drive.	JVOP-181	p. 43
Remote LED Operator	Used for remote operation. Use the LED Operator in combination with the extension cable and the RS-232C interface option. Includes a copy function for saving drive settings.	JVOP-182	p. 44
Support Tools (DriveWizard) Cable	Connects the drive to a PC for use with DriveWizard.	WV103	p. 43
Extension Cable	Required for use with the remote digital operator.	WV001: 1 m WV003: 3 m	p. 44
RS-422/485 MEMOBUS Interface	Used as an interface unit to communicate with a host controller via the RS-422 or RS-485 interface using the MEMOBUS/Modbus protocol. The communication cable connector is included with the interface unit.	SI-485/J	p. 42
Frequency Meter, Current Meter	Allows the user to set and monitor the frequency, current, and voltage using an external device.	DCF-6A	p. 45
Frequency Setting Potentiometer (2 k Ω)		RH000739	p. 45
Frequency Meter Scaling Resistor (20 k Ω)		RH000850	p. 45
Frequency Reference Setting Potentiometer		CM-3S	p. 45
Output Voltage Meter		SCF-12NH	p. 46
Voltage Transformer		UPN-B	p. 46
NEMA 1 Kit		Turns an IP20 open-chassis design into a NEMA 1 compliant enclosure panel.	-
Attachment for External Heatsink	Mechanical kit to install the drive with the heatsink out of the cabinet. Note: Current derating must be considered in some instances.	-	p. 25
DIN Rail Attachment	Allows mounting the drive on a DIN rail.	-	p. 25

Note: For delivery periods and specifications of the recommended products, contact the individual manufactures.

Ground Fault Interrupter, Circuit Breaker

Base device selection on motor capacity.



Ground Fault Interrupter
[Mitsubishi Electric Corporation]



Circuit Breaker
[Mitsubishi Electric Corporation]

Three-Phase 200 V Class

Motor Capacity (kW)	Ground Fault Interrupter						Circuit Breaker					
	Without Reactor*1			With Reactor*2			Without Reactor*1			With Reactor*2		
	Model	Rated Current (A)	Interrupt Capacity (kW) Icu/Ics*3	Model	Rated Current (A)	Interrupt Capacity (kW) Icu/Ics*3	Model	Rated Current (A)	Interrupt Capacity (kW) Icu/Ics*3	Model	Rated Current (A)	Interrupt Capacity (kW) Icu/Ics*3
0.1	NV32-SV	5	10/10	NV32-SV	5	10/10	NF32-SV	5	7.5/7.5	NF32-SV	5	7.5/7.5
0.2	NV32-SV	5	10/10	NV32-SV	5	10/10	NF32-SV	5	7.5/7.5	NF32-SV	5	7.5/7.5
0.4	NV32-SV	5	10/10	NV32-SV	5	10/10	NF32-SV	5	7.5/7.5	NF32-SV	5	7.5/7.5
0.75	NV32-SV	10	10/10	NV32-SV	10	10/10	NF32-SV	10	7.5/7.5	NF32-SV	10	7.5/7.5
1.5	NV32-SV	15	10/10	NV32-SV	10	10/10	NF32-SV	15	7.5/7.5	NF32-SV	10	7.5/7.5
2.2	NV32-SV	20	10/10	NV32-SV	15	10/10	NF32-SV	20	7.5/7.5	NF32-SV	15	7.5/7.5
3.7	NV32-SV	30	10/10	NV32-SV	20	10/10	NF32-SV	30	7.5/7.5	NF32-SV	20	7.5/7.5
5.5	NV63-SV	50	15/15	NV63-SV	40	15/15	NF63-SV	50	15/15	NF63-SV	40	15/15

Single-Phase 200 V Class

Motor Capacity (kW)	Ground Fault Interrupter						Circuit Breaker					
	Without Reactor*1			With Reactor*2			Without Reactor*1			With Reactor*2		
	Model	Rated Current (A)	Interrupt Capacity (kW) Icu/Ics*3	Model	Rated Current (A)	Interrupt Capacity (kW) Icu/Ics*3	Model	Rated Current (A)	Interrupt Capacity (kW) Icu/Ics*3	Model	Rated Current (A)	Interrupt Capacity (kW) Icu/Ics*3
0.1	NV32-SV	5	10/10	NV32-SV	5	10/10	NF32-SV	5	7.5/7.5	NF32-SV	5	7.5/7.5
0.2	NV32-SV	5	10/10	NV32-SV	5	10/10	NF32-SV	5	7.5/7.5	NF32-SV	5	7.5/7.5
0.4	NV32-SV	10	10/10	NV32-SV	10	10/10	NF32-SV	10	7.5/7.5	NF32-SV	10	7.5/7.5
0.75	NV32-SV	20	10/10	NV32-SV	15	10/10	NF32-SV	20	7.5/7.5	NF32-SV	15	7.5/7.5
1.5	NV32-SV	30	10/10	NV32-SV	20	10/10	NF32-SV	30	7.5/7.5	NF32-SV	20	7.5/7.5
2.2	NV32-SV	30	10/10	NV32-SV	20	10/10	NF32-SV	30	7.5/7.5	NF32-SV	20	7.5/7.5

Three-Phase 400 V Class

Motor Capacity (kW)	Ground Fault Interrupter						Circuit Breaker					
	Without Reactor*1			With Reactor*2			Without Reactor*1			With Reactor*2		
	Model	Rated Current (A)	Interrupt Capacity (kW) Icu/Ics*3	Model	Rated Current (A)	Interrupt Capacity (kW) Icu/Ics*3	Model	Rated Current (A)	Interrupt Capacity (kW) Icu/Ics*3	Model	Rated Current (A)	Interrupt Capacity (kW) Icu/Ics*3
0.2	NV32-SV	5	5/5	NV32-SV	5	5/5	NF32-SV	3	2.5/2.5	NF32-SV	3	2.5/2.5
0.4	NV32-SV	5	5/5	NV32-SV	5	5/5	NF32-SV	3	2.5/2.5	NF32-SV	3	2.5/2.5
0.75	NV32-SV	5	5/5	NV32-SV	5	5/5	NF32-SV	5	2.5/2.5	NF32-SV	5	2.5/2.5
1.5	NV32-SV	10	5/5	NV32-SV	10	5/5	NF32-SV	10	2.5/2.5	NF32-SV	10	2.5/2.5
2.2	NV32-SV	15	5/5	NV32-SV	10	5/5	NF32-SV	15	2.5/2.5	NF32-SV	10	2.5/2.5
3.7	NV32-SV	20	5/5	NV32-SV	15	5/5	NF32-SV	20	2.5/2.5	NF32-SV	15	2.5/2.5
5.5	NV32-SV	30	5/5	NV32-SV	20	5/5	NF32-SV	30	2.5/2.5	NF32-SV	20	2.5/2.5

*1: The AC or DC reactor is not connected to the drive.

*2: The AC or DC reactor is connected to the drive.

*3: Icu: Rated ultimate short-circuit breaking capacity Ics: Rated service short-circuit breaking capacity

Magnetic Contactor

Base device selection on motor capacity.



Magnetic Contactor

[Fuji Electric FA Components & Systems Co.,Ltd.]

Three-Phase 200 V Class

Motor Capacity (kW)	Magnetic Contactor			
	Without Reactor*1		With Reactor*2	
	Model	Rated Current (A)	Model	Rated Current (A)
0.1	SC-03	11	SC-03	11
0.2	SC-03	11	SC-03	11
0.4	SC-03	11	SC-03	11
0.75	SC-05	13	SC-03	11
1.5	SC-4-0	18	SC-03	11
2.2	SC-N1	26	SC-4-0	18
3.7	SC-N2	35	SC-N1	26
5.5	SC-N2S	50	SC-N2	35

Three-Phase 400 V Class

Motor Capacity (kW)	Magnetic Contactor			
	Without Reactor*1		With Reactor*2	
	Model	Rated Current (A)	Model	Rated Current (A)
0.2	SC-03	7	SC-03	7
0.4	SC-03	7	SC-03	7
0.75	SC-03	7	SC-03	7
1.5	SC-05	9	SC-05	9
2.2	SC-4-0	13	SC-4-0	13
3.7	SC-4-1	17	SC-4-1	17
5.5	SC-N2	32	SC-N1	25

Single-Phase 200 V Class

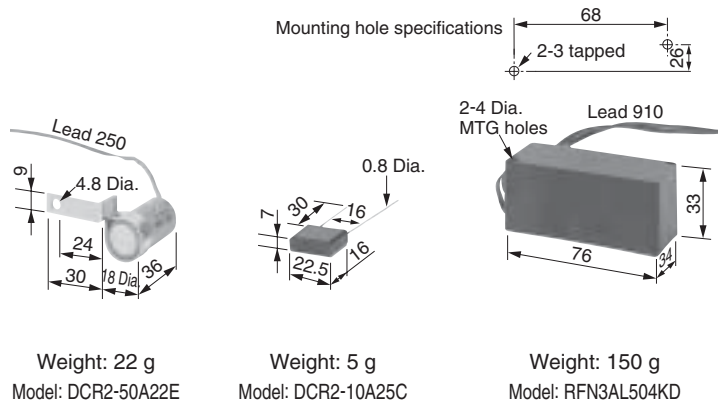
Motor Capacity (kW)	Magnetic Contactor			
	Without Reactor*1		With Reactor*2	
	Model	Rated Current (A)	Model	Rated Current (A)
0.1	SC-03	11	SC-03	11
0.2	SC-03	11	SC-03	11
0.4	SC-03	11	SC-03	11
0.75	SC-4-0	18	SC-4-0	18
1.5	SC-N2	35	SC-N1	26
2.2	SC-N2	35	SC-N2	35

*1: The AC or DC reactor is not connected to the drive.

*2: The AC or DC reactor is connected to the drive.

● Surge Protector

Dimensions (mm)



[Nippon Chemi-Con Corporation]

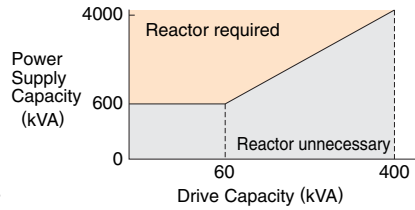
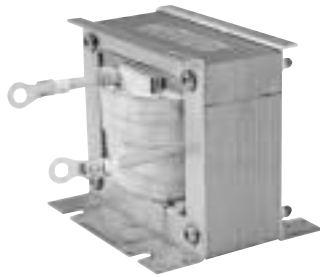
Product Line

Surge Protector		Model	Specifications	Code No.
Peripheral Devices				
200 to 230 V	Large-Capacity Coil (other than relay)	DCR2-50A22E	220 Vac 0.5 μ F+200 Ω	C002417
200 to 240 V	Control Relay	MY2, MY3 [OMRON Corporation]	250 Vac 0.1 μ F+100 Ω	C002482
		MM2, MM4 [OMRON Corporation] HH22, HH23 [Fuji Electric FA Components & Systems Co., Ltd.]		
380 to 480 V		RFN3AL504KD	1000 Vdc 0.5 μ F+220 Ω	C002630

J Peripheral Devices and Options (continued)

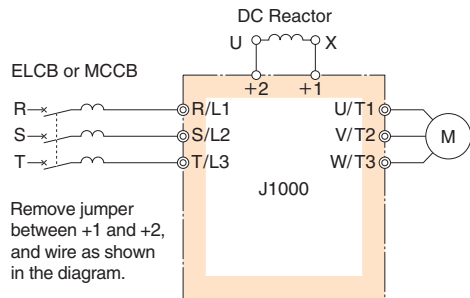
DC Reactor (UZDA-B for DC circuit)

Base device selection on motor capacity.



Note: Reactor recommended for power supplies larger than 600 kVA. Use an AC reactor if power supply is 0.2 kW or smaller.

Connection Diagram



Dimensions (mm)

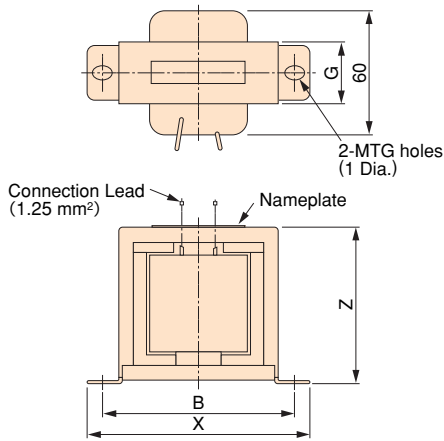


Figure 1

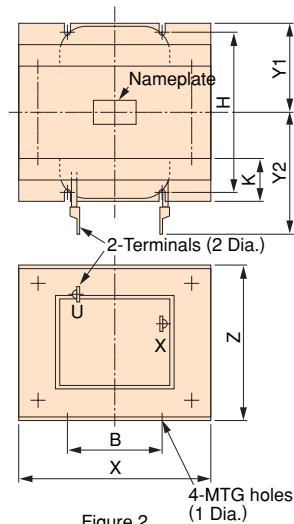


Figure 2

Three-Phase 200 V Class

Motor Capacity (kW)	Current (A)	Inductance (mH)	Code No.	Figure	Dimensions (mm)										Weight (kg)	Watt Loss (W)	Wire Gauge* (mm²)
					X	Y2	Y1	Z	B	H	K	G	1 Dia.	2 Dia.			
0.4	5.4	8	X010048	1	85	-	-	53	74	-	-	32	M4	-	0.8	8	2
0.75	5.4	8	X010048	1	85	-	-	53	74	-	-	32	M4	-	0.8	8	2
1.5	18	3	X010049	2	86	80	36	76	60	55	18	-	M4	M5	2	18	5.5
2.2	18	3	X010049	2	86	80	36	76	60	55	18	-	M4	M5	2	18	5.5
3.7	18	3	X010049	2	86	80	36	76	60	55	18	-	M4	M5	2	18	5.5
5.5	36	1	X010050	2	105	90	46	93	64	80	26	-	M6	M6	3.2	22	8

Notes: 1. Inquire for use of a DC reactor with the single-phase input series.
2. Use an AC reactor if power supply is 0.2 kW or smaller.

Three-Phase 400 V Class

Motor Capacity (kW)	Current (A)	Inductance (mH)	Code No.	Figure	Dimensions (mm)										Weight (kg)	Watt Loss (W)	Wire Gauge* (mm²)
					X	Y2	Y1	Z	B	H	K	G	1 Dia.	2 Dia.			
0.4	3.2	28	X010052	1	85	-	-	53	74	-	-	32	M4	-	0.8	9	2
0.75	3.2	28	X010052	1	85	-	-	53	74	-	-	32	M4	-	0.8	9	2
1.5	5.7	11	X010053	1	90	-	-	60	80	-	-	32	M4	-	1	11	2
2.2	5.7	11	X010053	1	90	-	-	60	80	-	-	32	M4	-	1	11	2
3.7	12	6.3	X010054	2	86	80	36	76	60	55	18	-	M4	M5	2	16	2
5.5	23	3.6	X010055	2	105	90	46	93	64	80	26	-	M6	M5	3.2	27	5.5

* Cable: IV, 75°C, ambient temperature 45°C, 3 lines max.

Terminal Type



Dimensions (mm)

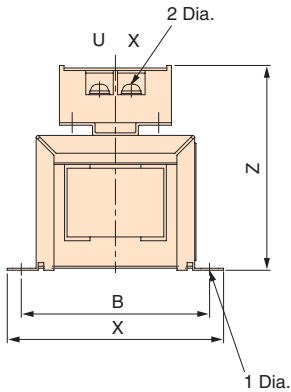


Figure 1

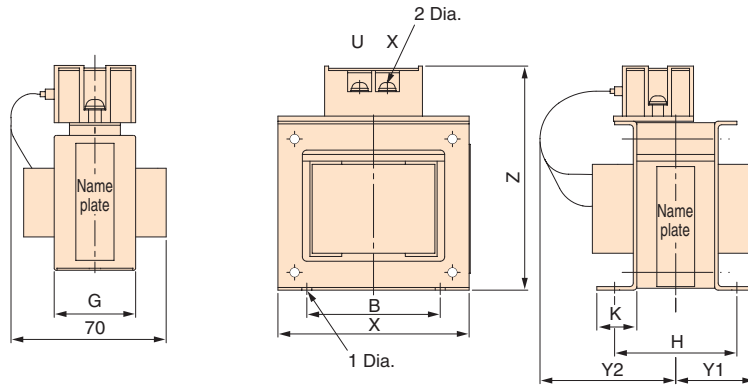


Figure 2

200 V Class

Motor Capacity (kW)	Current (A)	Inductance (mH)	Code No.	Figure	Dimensions (mm)								Weight (kg)	Watt Loss (W)		
					X	Y2	Y1	Z	B	H	K	G			1 Dia.	2 Dia.
0.4	5.4	8	300-027-130	1	85	-	-	81	74	-	-	32	M4	M4	0.8	8
0.75																
1.5																
2.2	18	3	300-027-131	2	86	84	36	101	60	55	18	-	M4	M4	2	18
3.7																
5.5					36	1	300-027-132	105	94	46	129	64	80	26		

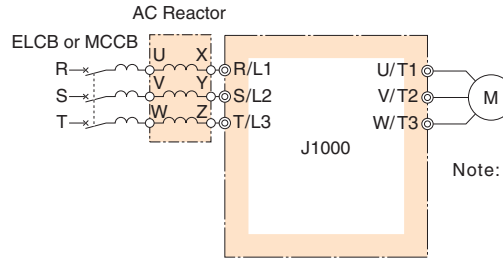
400 V Class

Motor Capacity (kW)	Current (A)	Inductance (mH)	Code No.	Figure	Dimensions (mm)								Weight (kg)	Watt Loss (W)							
					X	Y2	Y1	Z	B	H	K	G			1 Dia.	2 Dia.					
0.4	3.2	28	300-027-134	1	85	-	-	81	74	-	-	32	M4	M4	0.8	9					
0.75																					
1.5					90	-	-	88	80	-	-	32	M4	M4			1	11			
2.2	5.7	11	300-027-135	2	86	84	36	101	60	55	18	-	M4	M4	2	16					
3.7					12	6.3	300-027-136	105	104	46	118	64	80	26			-	M6	M4	3.2	27
5.5					23	3.6	300-027-137														

AC Reactor (UZBA-B for Input 50/60 Hz)

Base device selection on motor capacity.

Connection Diagram



Note: When using low noise type drives (high-carrier frequency of 2.5 kHz or more), do not connect an AC reactor to the output side (U, V, W) of the drive.

Dimensions (mm)

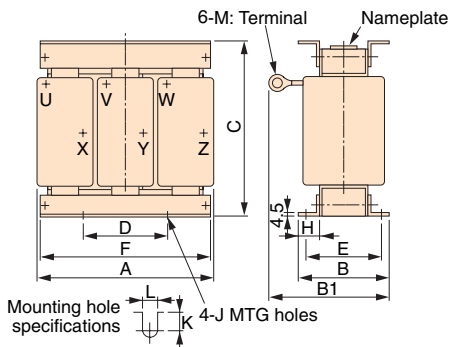


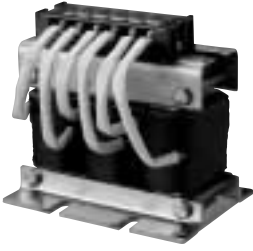
Figure 1

Three-Phase 200 V Class

Motor Capacity (kW)	Current (A)	Inductance (mH)	Code No.	Figure	Dimensions (mm)											Weight (kg)	Watt Loss (W)	
					A	B	B1	C	D	E	F	H	J	K	L			M
3.7	20	0.53	X002491	1	130	88	114	105	50	70	130	22	M6	11.5	7	M5	3	35
5.5	30	0.35	X002492	1			119						9	45				

Note: Inquire for use of a DC reactor with the single-phase input series.

Terminal Type



Dimensions (mm)

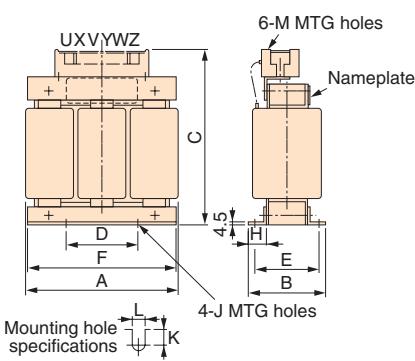


Figure 1

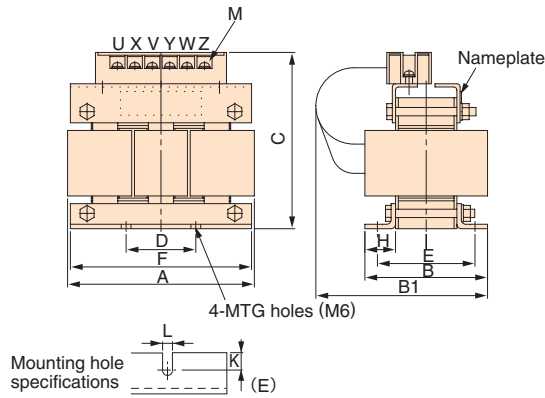


Figure 2

200 V Class

Motor Capacity (kW)	Current (A)	Inductance (mH)	Code No.	Figure	Dimensions (mm)											Weight (kg)	Watt Loss (W)	
					A	B	B1	C	D	E	F	H	J	K	L			M
0.1	2	7	X002764	1	120	71	-	120	40	50	105	20	M6	10.5	7	M4	2.5	15
0.2	2	7	X002764															
0.4	2.5	4.2	X002553															
0.75	5	2.1	X002554		130	88	-	130	50	70	130	22	M6	11.5	7	M4	3	25
1.5	10	1.1	X002489															
2.2	15	0.71	X002490															
3.7	20	0.53	300-027-120	2	135	88	140	130	50	70	130	22	M6	-	7	M4	3	35
5.5	30	0.35	300-027-121															

400 V Class

Motor Capacity (kW)	Current (A)	Inductance (mH)	Code No.	Figure	Dimensions (mm)											Weight (kg)	Watt Loss (W)	
					A	B	B1	C	D	E	F	H	J	K	L			M
0.2	1.3	18	X002561	1	120	71	-	120	40	50	105	20	M6	10.5	7	M4	2.5	15
0.4	1.3	18	X002561															
0.75	2.5	8.4	X002562															
1.5	5	4.2	X002563		130	88	-	130	50	70	130	22	M6	9	7	M4	3	25
2.2	7.5	3.6	X002564															
3.7	10	2.2	X002500															
5.5	15	1.42	X002501	98	80	11.5	4	50										

Zero Phase Reactor

Zero-phase reactor should match wire gauge.*

* Current values for wire gauges may vary based on electrical codes.

The table below lists selections based on Japanese electrical standards and Yaskawa's ND rating. Contact Yaskawa for questions regarding UL.

Finemet Zero-Phase Reactor to Reduce Radio Noise

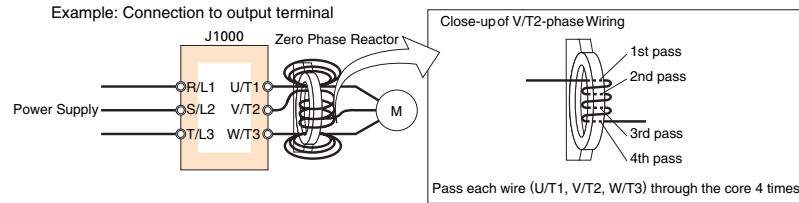
Note: Finemet is a registered trademark of Hitachi Metals, Ltd.



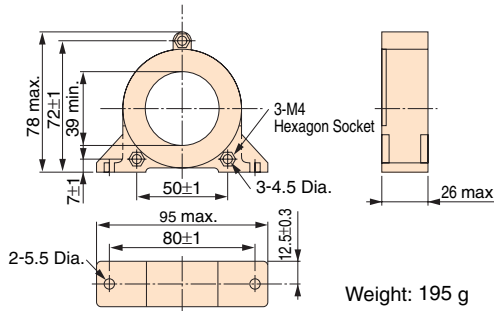
[Hitachi Metals, Ltd.]

Connection Diagram

Compatible with the input and output side of the drive.



Dimensions (mm)



Model: F6045GB

Three-Phase 200 V Class

J1000		Zero Phase Reactor		
Motor Capacity (kW)	Recommended Gauge (mm ²)	Model	Code No.	Qty.
0.1	2	F6045GB	FIL001098	1
0.2	2			
0.4	2			
0.75	2			
1.5	2			
2.2	2			
3.7	3.5			
5.5	5.5			

Three-Phase 400 V Class

J1000		Zero Phase Reactor		
Motor Capacity (kW)	Recommended Gauge (mm ²)	Model	Code No.	Qty.
0.2	2	F6045GB	FIL001098	1
0.4	2			
0.75	2			
1.5	2			
2.2	2			
3.0	2			
3.7	2			
5.5	2			

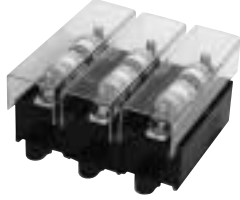
Single-Phase 200 V Class

J1000		Zero Phase Reactor		
Motor Capacity (kW)	Recommended Gauge (mm ²)	Model	Code No.	Qty.
0.1	2	F6045GB	FIL001098	1
0.2	2			
0.4	2			
0.75	2			
1.5	2			
2.2	3.5			

Fuse/Fuse Holder

Install a fuse to the drive input terminals to prevent damage in case a fault occurs.

Refer to the instruction manual for information on UL-approved components.



[Fuji Electric FA Components & Systems Co., Ltd.]

Three-Phase 200 V Class

Model CIMR-JA2A [.....]	AC/DC Power Supply							
	Fuse				Fuse Holder			
	Model	Code No.	Rated Interrupt Current (kA)	Qty.*	Model	Code No.	Qty.*	Figure
0001	CR6L-20/UL	FU002087	100	3	CMS-4	FU002091	3	1
0002	CR6L-20/UL	FU002087						
0004	CR6L-20/UL	FU002087						
0006	CR6L-30/UL	FU002088						
0008	CR6L-50/UL	FU000935						
0010	CR6L-50/UL	FU000935						
0012	CR6L-50/UL	FU000935						
0018	CR6L-75/UL	FU002089						
0020	CR6L-75/UL	FU002089						
							CMS-5	FU002092

* An AC power supply requires three fuses, while a DC power supply requires two.

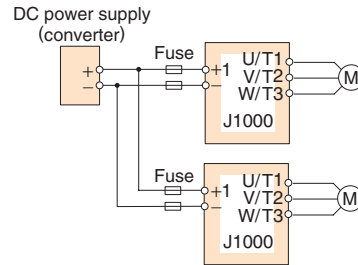
Three-Phase 400 V Class

Model CIMR-JA4A [.....]	AC/DC Power Supply							
	Fuse				Fuse Holder			
	Model	Code No.	Rated Interrupt Current (kA)	Qty.*	Model	Code No.	Qty.*	Figure
0001	CR6L-20/UL	FU002087	100	3	CMS-4	FU002091	3	1
0002	CR6L-20/UL	FU002087						
0004	CR6L-50/UL	FU000935						
0005	CR6L-50/UL	FU000935						
0007	CR6L-50/UL	FU000935						
0009	CR6L-50/UL	FU000935						
0011	CR6L-50/UL	FU000935						

* An AC power supply requires three fuses, while a DC power supply requires two.

Connection Diagram

This example shows a DC power supply (two J1000 drives connected in series). For an AC power supply, see the connection diagram on page 20.



Note: When running multiple drives together, each drive should have its own fuse. All fuses should be replaced if any single fuse blows.

Single-Phase 200 V Class

Model CIMR-JABA [.....]	AC/DC Power Supply							
	Fuse				Fuse Holder			
	Model	Code No.	Rated Interrupt Current (kA)	Qty.	Model	Code No.	Qty.	Figure
0001	CR6L-20/UL	FU002087	100	2	CMS-4	FU002091	2	1
0002	CR6L-30/UL	FU002088						
0003	CR6L-50/UL	FU000935						
0006	CR6L-75/UL	FU002089						
0010	CR6L-100/UL	FU000927			CMS-5	FU002092	2	2

Dimensions (mm)

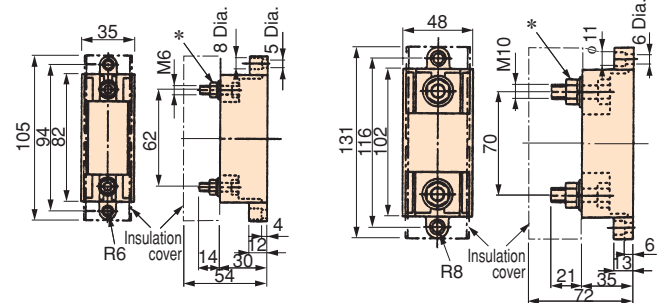


Figure 1

Figure 2

* Mounting components supplied separately. Tighten bolt when fuse is installed.

Capacitor-type Noise Filter

Capacitor-type noise filter exclusively designed for drive input.

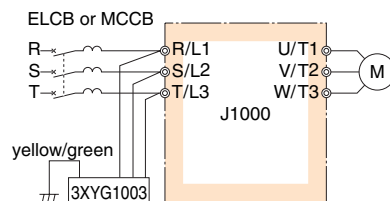
The noise filter can be used in combination with a zero-phase reactor. For both 200 V and 400 V classes.

Note: The capacitor-type noise filter can be used for drive input only. Do not connect the noise filter to the output terminals.

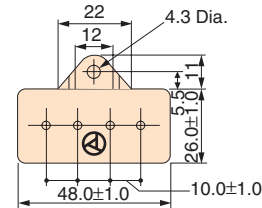


[OKAYA ELECTRIC INDUSTRIES CO., LTD.]

Connection Diagram



Dimensions (mm)

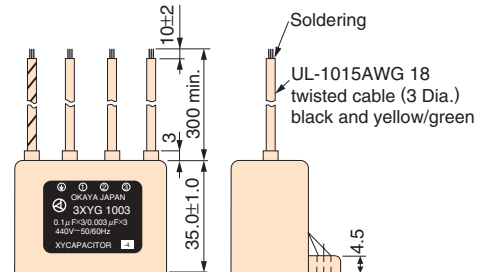


Specifications

Model	Code No.
3XYG 1003	C002889

Rated Voltage	Capacitance (3 devices each)	Operating Temperature Range (°C)
440 V	X (Δ connection) : 0.1 μF±20 % Y (λ connection) : 0.003 μF±20 %	-40 to +85

Note: For use with 460 V and 480 V units, contact Yaskawa directly.



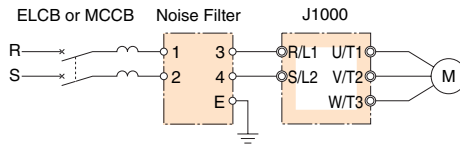
Input Noise Filter without Case

Base device selection on motor capacity.

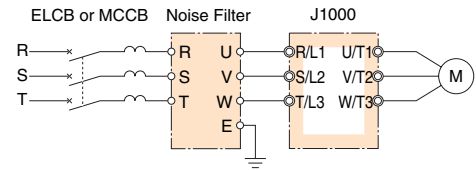


Note: Contact Yaskawa for CE compliant models (EMC directive).

Connection Diagram



Single-Phase Input (LNFB Type)



Three-Phase Input (LNFD Type)

Note: Do not connect the input noise filter to the drive output terminals (U, V, W).
Connect in parallel when using two filters.

Dimensions

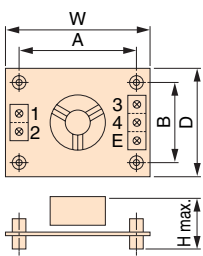


Figure 1 (Single-Phase)

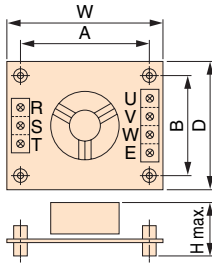


Figure 2 (Three-Phase)

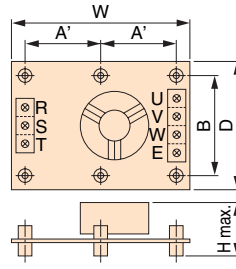
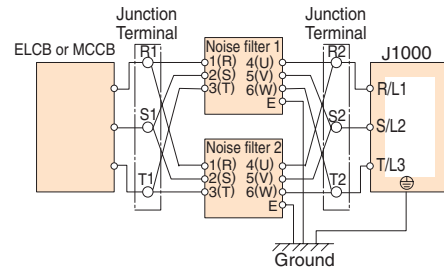


Figure 3 (Three-Phase)

Connecting Noise Filters in Parallel to the Input or Output Side (examples shows two filters in parallel)



Note: When wiring contactors in parallel, make sure wiring lengths are the same to keep current flow even to the relay terminals. Noise filters and grounding wire should be as heavy and as short as possible.

Three-Phase 200 V Class

Motor Capacity (kW)	Model	Code No.	Qty.	Rated Current (A)	Figure	Dimensions (mm)						Mounting Screw	Weight (kg)
						W	D	H	A	A'	B		
0.1	LNFD-2103DY	FIL000132	1	10	2	120	80	55	108	-	68	M4×4, 20 mm	0.2
0.2	LNFD-2103DY	FIL000132	1	10	2	120	80	55	108	-	68	M4×4, 20 mm	0.2
0.4	LNFD-2103DY	FIL000132	1	10	2	120	80	55	108	-	68	M4×4, 20 mm	0.2
0.75	LNFD-2103DY	FIL000132	1	10	2	120	80	55	108	-	68	M4×4, 20 mm	0.2
1.5	LNFD-2103DY	FIL000132	1	10	2	120	80	55	108	-	68	M4×4, 20 mm	0.2
2.2	LNFD-2153DY	FIL000133	1	15	2	120	80	55	108	-	68	M4×4, 20 mm	0.2
3.7	LNFD-2303DY	FIL000135	1	30	3	170	110	70	-	79	98	M4×6, 20 mm	0.5
5.5	LNFD-2203DY	FIL000134	2	40	2	170	90	70	158	-	78	M4×4, 20 mm	0.4

Single-Phase 200 V Class

Motor Capacity (kW)	Model	Code No.	Qty.	Rated Current (A)	Figure	Dimensions (mm)						Mounting Screw	Weight (kg)
						W	D	H	A	A'	B		
0.1	LNFB-2102DY	FIL000128	1	10	1	120	80	50	108	-	68	M4×4, 20 mm	0.1
0.2	LNFB-2102DY	FIL000128	1	10	1	120	80	50	108	-	68	M4×4, 20 mm	0.2
0.4	LNFB-2152DY	FIL000129	1	15	1	120	80	50	108	-	68	M4×4, 20 mm	0.2
0.75	LNFB-2202DY	FIL000130	1	20	1	120	80	50	108	-	68	M4×4, 20 mm	0.2
1.5	LNFB-2302DY	FIL000131	1	30	1	130	90	65	118	-	78	M4×4, 20 mm	0.3
2.2	LNFB-2202DY	FIL000130	2	40	1	120	80	50	108	-	68	M4×4, 20 mm	0.2

Three-Phase 400 V Class

Motor Capacity (kW)	Model	Code No.	Qty.	Rated Current (A)	Figure	Dimensions (mm)						Mounting Screw	Weight (kg)
						W	D	H	A	A'	B		
0.2	LNFD-4053DY	FIL000144	1	5	3	170	130	75	-	79	118	M4×6, 30 mm	0.3
0.4	LNFD-4053DY	FIL000144	1	5	3	170	130	75	-	79	118	M4×6, 30 mm	0.3
0.75	LNFD-4053DY	FIL000144	1	5	3	170	130	75	-	79	118	M4×6, 30 mm	0.3
1.5	LNFD-4103DY	FIL000145	1	10	3	170	130	95	-	79	118	M4×6, 30 mm	0.4
2.2	LNFD-4103DY	FIL000145	1	10	3	170	130	95	-	79	118	M4×6, 30 mm	0.4
3.7	LNFD-4153DY	FIL000146	1	15	3	170	130	95	-	79	118	M4×6, 30 mm	0.4
5.5	LNFD-4203DY	FIL000147	1	20	3	200	145	100	-	94	133	M4×4, 30 mm	0.5

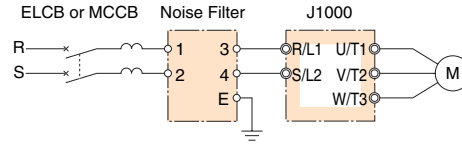
Input Noise Filter with Case

Base device selection on motor capacity.



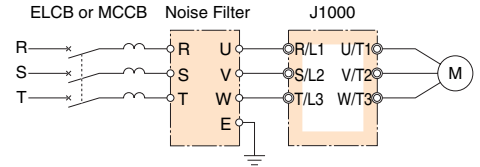
Note: Contact Yaskawa for CE compliant models (EMC directive).

Connection Diagram



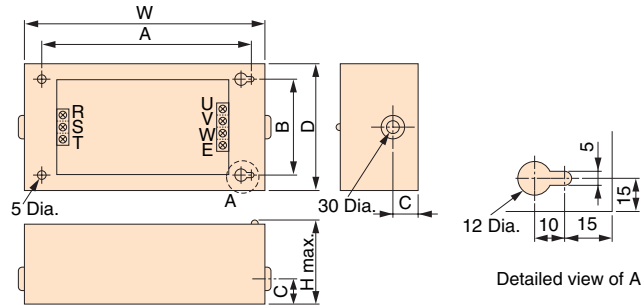
Single-Phase Input (LNFB Type)

Note: Connect in parallel when using two filters.



Three-Phase Input (LNFD Type)

Dimensions (mm)



Example of three-phase input.

Three-Phase 200 V Class

Motor Capacity (kW)	Model	Code No.	Qty.	Rated Current (A)	Dimensions (mm)						Mounting Screw	Weight (kg)
					W	D	H	A	B	C		
0.1	LNFD-2103HY	FIL000140	1	10	185	95	85	155	65	33	M4×4, 10 mm	0.9
0.2	LNFD-2103HY	FIL000140	1	10	185	95	85	155	65	33	M4×4, 10 mm	0.9
0.4	LNFD-2103HY	FIL000140	1	10	185	95	85	155	65	33	M4×4, 10 mm	0.9
0.75	LNFD-2103HY	FIL000140	1	10	185	95	85	155	65	33	M4×4, 10 mm	0.9
1.5	LNFD-2103HY	FIL000140	1	10	185	95	85	155	65	33	M4×4, 10 mm	0.9
2.2	LNFD-2153HY	FIL000141	1	15	185	95	85	155	65	33	M4×4, 10 mm	0.9
3.7	LNFD-2303HY	FIL000143	1	30	240	125	100	210	95	33	M4×4, 10 mm	1.6
5.5	LNFD-2203HY	FIL000142	2	40	240	125	100	210	95	33	M4×4, 10 mm	1.5

Single-Phase 200 V Class

Motor Capacity (kW)	Model	Code No.	Qty.	Rated Current (A)	Dimensions (mm)						Mounting Screw	Weight (kg)
					W	D	H	A	B	C		
0.1	LNFB-2102HY	FIL000136	1	10	185	95	85	155	65	33	M4×4, 10 mm	0.8
0.2	LNFB-2102HY	FIL000136	1	10	185	95	85	155	65	33	M4×4, 10 mm	0.8
0.4	LNFB-2152HY	FIL000137	1	15	185	95	85	155	65	33	M4×4, 10 mm	0.8
0.75	LNFB-2202HY	FIL000138	1	20	185	95	85	155	65	33	M4×4, 10 mm	0.9
1.5	LNFB-2302HY	FIL000139	1	30	200	105	95	170	75	33	M4×4, 10 mm	1.1
2.2	LNFB-2202HY	FIL000138	2	40	185	95	85	155	65	33	M4×4, 10 mm	0.9

Three-Phase 400 V Class

Motor Capacity (kW)	Model	Code No.	Qty.	Rated Current (A)	Dimensions (mm)						Mounting Screw	Weight (kg)
					W	D	H	A	B	C		
0.2	LNFD-4053HY	FIL000149	1	5	235	140	120	205	110	43	M4×4, 10 mm	1.6
0.4	LNFD-4053HY	FIL000149	1	5	235	140	120	205	110	43	M4×4, 10 mm	1.6
0.75	LNFD-4053HY	FIL000149	1	5	235	140	120	205	110	43	M4×4, 10 mm	1.6
1.5	LNFD-4103HY	FIL000150	1	10	235	140	120	205	110	43	M4×4, 10 mm	1.7
2.2	LNFD-4103HY	FIL000150	1	10	235	140	120	205	110	43	M4×4, 10 mm	1.7
3.7	LNFD-4153HY	FIL000151	1	15	235	140	120	205	110	43	M4×4, 10 mm	1.7
5.5	LNFD-4203HY	FIL000152	1	20	270	155	125	240	125	43	M4×4, 10 mm	2.2

J Peripheral Devices and Options (continued)

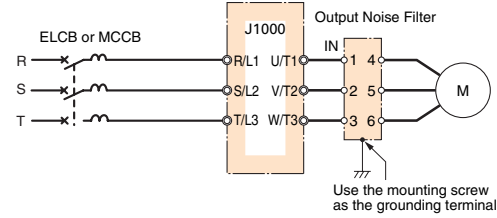
Output Noise Filter

Base device selection on motor capacity.

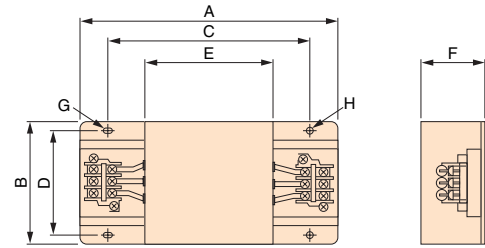


[NEC TOKIN Corporation]

Connection Diagram



Dimensions



Three/Single-Phase 200 V Class

Motor Capacity (kW)	Model	Code No.	Qty.	Rated Current (A)	Dimensions (mm)								Mounting Screw	Weight (kg)
					A	B	C	D	E	F	G	H		
0.1	LF-310KA	FIL000068	1	10	140	100	100	90	70	45	7 × φ4.5	φ4.5	TE-K5.5M4	0.5
0.2	LF-310KA	FIL000068	1	10	140	100	100	90	70	45	7 × φ4.5	φ4.5	TE-K5.5M4	0.5
0.4	LF-310KA	FIL000068	1	10	140	100	100	90	70	45	7 × φ4.5	φ4.5	TE-K5.5M4	0.5
0.75	LF-310KA	FIL000068	1	10	140	100	100	90	70	45	7 × φ4.5	φ4.5	TE-K5.5M4	0.5
1.5	LF-310KA	FIL000068	1	10	140	100	100	90	70	45	7 × φ4.5	φ4.5	TE-K5.5M4	0.5
2.2	LF-320KA	FIL000069	1	20	140	100	100	90	70	45	7 × φ4.5	φ4.5	TE-K5.5M4	0.6
3.7	LF-320KA	FIL000069	1	20	140	100	100	90	70	45	7 × φ4.5	φ4.5	TE-K5.5M4	0.6
5.5	LF-350KA	FIL000070	1	50	260	180	180	160	120	65	7 × φ4.5	φ4.5	TE-K22M6	2

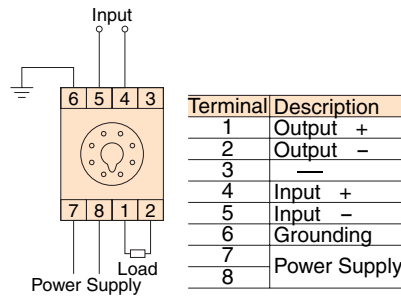
Three-Phase 400 V Class

Motor Capacity (kW)	Model	Code No.	Qty.	Rated Current (A)	Dimensions (mm)								Mounting Screw	Weight (kg)
					A	B	C	D	E	F	G	H		
0.2	LF-310KB	FIL000071	1	10	140	100	100	90	70	45	7 × φ4.5	φ4.5	TE-K5.5M4	0.5
0.4	LF-310KB	FIL000071	1	10	140	100	100	90	70	45	7 × φ4.5	φ4.5	TE-K5.5M4	0.5
0.75	LF-310KB	FIL000071	1	10	140	100	100	90	70	45	7 × φ4.5	φ4.5	TE-K5.5M4	0.5
1.5	LF-310KB	FIL000071	1	10	140	100	100	90	70	45	7 × φ4.5	φ4.5	TE-K5.5M4	0.5
2.2	LF-310KB	FIL000071	1	10	140	100	100	90	70	45	7 × φ4.5	φ4.5	TE-K5.5M4	0.5
3.7	LF-310KB	FIL000071	1	10	140	100	100	90	70	45	7 × φ4.5	φ4.5	TE-K5.5M4	0.5
5.5	LF-320KB	FIL000072	1	20	140	100	100	90	70	45	7 × φ4.5	φ4.5	TE-K5.5M4	0.6

● Isolator (Insulation Type DC Transmission Converter)



Connection Diagram

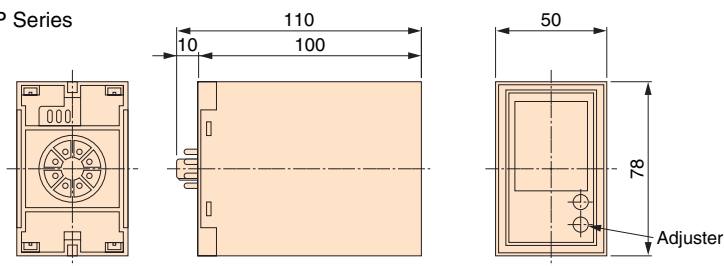


Cable Length

- 4 to 20 mA: within 100 m
- 0 to 10 V: within 50 m

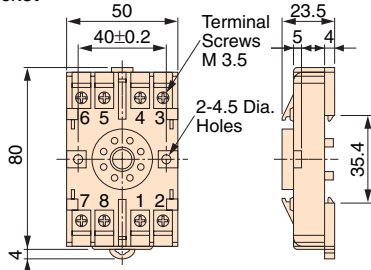
Dimensions (mm)

Model GP Series

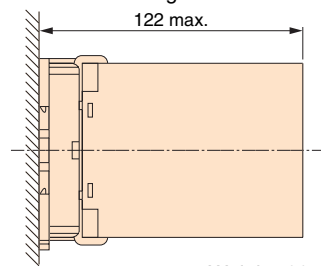


Weight: 350 g

Socket



View of Socket Mounting



Weight: 60 g

Performance

- | | |
|---------------------------------|---|
| (1) Allowance | $\pm 0.25\%$ of output span (ambient temperature.: 23°C) |
| (2) Temperature Influence | With $\pm 0.25\%$ of output span (at $\pm 10^{\circ}\text{C}$ of ambient temperature) |
| (3) Aux. Power Supply Influence | With $\pm 0.1\%$ of output span (at $\pm 10\%$ of aux. power supply) |
| (4) Load Resistance Influence | With $\pm 0.05\%$ of output span (in the range of load resistance) |
| (5) Output Ripple | With $\pm 0.5\%$ P-P of output span |
| (6) Response Time | 0.5 s or less (time to settle to $\pm 1\%$ of final steady value) |
| (7) Withstand Voltage | 2000 Vac for 60 s (between all terminals and enclosure) |
| (8) Insulation Resistance | 20 M Ω and above (using 500 Vdc megger between each terminal and enclosure) |

Product Line

Model	Input Signal	Output Signal	Power Supply	Code No.
DGP2-4-4	0 to 10 V	0 to 10 V	100 Vac	CON 000019.25
DGP2-4-8	0 to 10 V	4 to 20 mA	100 Vac	CON 000019.26
DGP2-8-4	4 to 20 mA	0 to 10 V	100 Vac	CON 000019.35
DGP2-3-4	0 to 5 V	0 to 10 V	100 Vac	CON 000019.15
DGP3-4-4	0 to 10 V	0 to 10 V	200 Vac	CON 000020.25
DGP3-4-8	0 to 10 V	4 to 20 mA	200 Vac	CON 000020.26
DGP3-8-4	4 to 20 mA	0 to 10 V	200 Vac	CON 000020.35
DGP3-3-4	0 to 5 V	0 to 10 V	200 Vac	CON 000020.15

J Peripheral Devices and Options (continued)

Braking Resistor, Braking Resistor Unit

Base device selection on motor capacity.



Built-in

Braking Resistor
[ERF-150WJ series]



Built-in

Braking Resistor with Fuse
[CF120-B579 series]



Stand-alone

Braking Resistor Unit
[LKEB series]

*1: A sequence to interrupt the power supply using thermal relay contacts and thermal relay trip contacts is not needed if the braking resistor already has a built-in fuse.

*2: Disable Stall Prevention during deceleration by setting L3-04 (Stall Prevention Selection during Deceleration) to 0 (disabled) when using a Braking Resistor or Braking Resistor Unit.
The motor may not stop within the deceleration time if this setting is not changed.

*3: Set L8-01 to 1 to enable braking resistor overload protection in the drive when using ERF-type resistors.

*4: Be sure to protect non-Yaskawa braking resistors by thermal overload relay.

Note: For applications with large regenerative power, the standard combination of the braking unit and the braking resistor may not provide sufficient capacity. If braking torque may exceed the value given in the table below, contact us for inquiry.

Connection Diagram

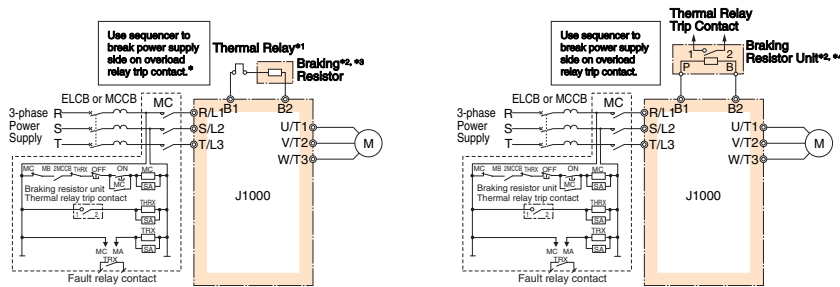
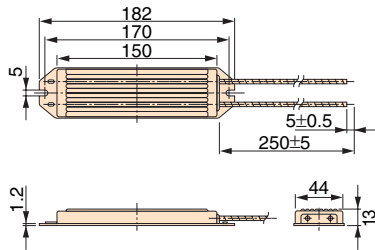


Diagram A

Diagram B

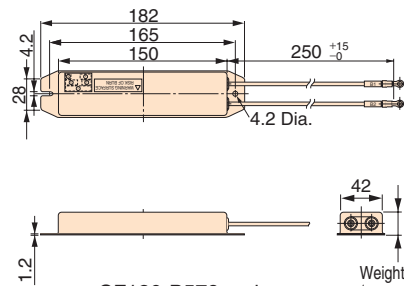
Dimensions (mm)

Braking Resistor



ERF-150WJ series

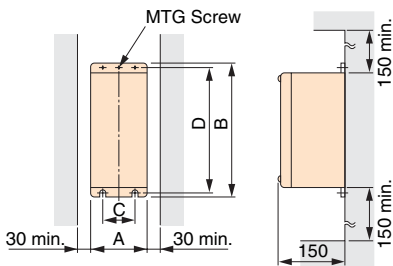
Weight: 0.2 kg
(All ERF-150WJ Series models)



CF120-B579 series

Weight: 0.256 kg
(All CF120-B579 Series models)

Braking Resistor Unit



Applicable Voltage Class	Braking Resistor Unit Model LKEB-□□□□□□	Dimensions (mm)					Mounting Screw	Weight (kg)	Allowable Average Power Consumption (W)
		A	B	C	D				
200 V Class	20P7	105	275	50	260	M5×3	3.0	30	
	21P5	130	350	75	335	M5×4	4.5	60	
	22P2	130	350	75	335	M5×4	4.5	89	
	23P7	130	350	75	335	M5×4	5.0	150	
400 V Class	40P7	105	275	50	260	M5×3	3.0	30	
	41P5	130	350	75	335	M5×4	4.5	60	
	42P2	130	350	75	335	M5×4	4.5	89	
	43P7	130	350	75	335	M5×4	5.0	150	
	45P5	250	350	200	335	M6×4	7.5	220	

Standard Specifications and Applications (200 V/400 V class)

Three/Single-Phase 200 V Class

Max. Motor Capacity (kW)	ND/HD	J1000		Braking Resistor (load time rate 3% ED, 10 s max.) ^{*1}									Braking Resistor Unit (load time rate 10% ED, 10 s max.) ^{*1}					Min. Connection ^{*2} Resistance (Ω)	
		Three-Phase CIMR-JA2A	Single-Phase CIMR-JABA	No Fuse				Built-In Fuse					Model LKEB	Resistor Specifications (per unit)	Qty.	Diagram	Braking Torque ^{*3} (%)		
				Model ERF -150WJ	Resistance (Ω)	Qty.	Diagram	Braking Torque ^{*3} (%)	Model CF120 -B579	Resistance (Ω)	Qty.	Diagram							Braking Torque ^{*3} (%)
0.1	HD	0001	0001	401	400	1	A	220	A	400	1	A	220	40P7	70 W 750 Ω	1	B	220	300
0.2	ND	0001	0001	401	400	1	A	220	A	400	1	A	220	40P7	70 W 750 Ω	1	B	125	300
	HD	0002	0002																
0.4	ND	0002	0002	401	400	1	A	110	A	400	1	A	110	40P7	70 W 750 Ω	1	B	65	300
	HD	0004	0003	201	200	1	A	220	B	200	1	A	220	20P7	70 W 200 Ω	1	B	220	200
0.75	ND	0004	0003	201	200	1	A	125	B	200	1	A	125	20P7	70 W 200 Ω	1	B	125	200
	HD	0006	0006																
1.1	ND	0006	0006	201	200	1	A	85	B	200	1	A	85	20P7	70 W 200 Ω	1	B	85	120
	HD	0008	—	101	100	1	A	150	C	100	1	A	150	21P5	260 W 100 Ω	1	B	150	60
1.5	ND	0008	—	101	100	1	A	125	C	100	1	A	125	21P5	260 W 100 Ω	1	B	125	60
	HD	0010	0010																
2.2	ND	0010	0010	700	70	1	A	120	D	70	1	A	120	22P2	260 W 70 Ω	1	B	120	60
	HD	0012	—																
3.0	ND	0012	—	620	62	1	A	100	E	62	1	A	100	22P2	260 W 70 Ω	1	B	90	60
	HD	0018	—											23P7	390 W 40 Ω			150	32
3.7	ND	0018	—	620	62	1	A	80	E	62	1	A	80	23P7	390 W 40 Ω	1	B	125	32
	HD	0020	—																
5.5	ND	0020	—	—	—	—	—	—	—	—	—	—	—	23P7	390 W 40 Ω	1	B	85	32

Three-Phase 400 V Class

Max. Motor Capacity (kW)	ND/HD	J1000		Braking Resistor (load time rate 3% ED, 10 s max.) ^{*1}									Braking Resistor Unit (load time rate 10% ED, 10 s max.) ^{*1}					Min. Connection ^{*2} Resistance (Ω)
		Three-Phase CIMR-JA4A	Model ERF -150WJ	No Fuse				Built-In Fuse					Model LKEB	Resistor Specifications (per unit)	Qty.	Diagram	Braking Torque ^{*3} (%)	
				Resistance (Ω)	Qty.	Diagram	Braking Torque ^{*3} (%)	Model CF120 -B579	Resistance (Ω)	Qty.	Diagram	Braking Torque ^{*3} (%)						
0.2	HD	0001	751	750	1	A	230	F	750	1	A	230	40P7	70 W 750 Ω	1	B	230	750
0.4	ND	0001	751	750	1	A	230	F	750	1	A	230	40P7	70 W 750 Ω	1	B	230	750
	HD	0002																
0.75	ND	0002	751	750	1	A	130	F	750	1	A	130	40P7	70 W 750 Ω	1	B	130	750
	HD	0004																
1.5	ND	0004	751	750	1	A	70	F	750	1	A	70	40P7	70 W 750 Ω	1	B	70	510
	HD	0005	401	400	1	A	125	G	400	1	A	125	41P5	260 W 400 Ω	1	B	125	240
2.2	ND	0005	301	300	1	A	115	H	300	1	A	115	42P2	260 W 250 Ω	1	B	135	240
	HD	0007																
3.0	ND	0007	401	400	2	A	125	J	250	1	A	100	42P2	260 W 250 Ω	1	B	100	200
	HD	0009											43P7	390 W 150 Ω			1	B
3.7	ND	0009	401	400	2	A	105	J	250	1	A	83	43P7	390 W 150 Ω	1	B	135	100
	HD	0011											43P7	390 W 150 Ω				
5.5	ND	0011	201	200	2	A	135	J	250	2	A	105	45P5	520 W 100 Ω	1	B	135	100

*1: Refers to a motor coasting to stop with a constant torque load. Constant output and regenerative braking will reduce the duty factor.

*2: Select a resistance value higher than the connectable resistance value and enough to generate the required braking torque.

*3: Applications with a relatively large amount of regenerative power (elevators, hoists, etc.) may require more braking power than is possible with only the standard braking unit and braking resistor.

If the braking torque exceeds the value shown in the table, a braking resistor of a higher capacity must be selected.

Notes: 1. The rated output current of the drive output amps should be equal to or greater than the motor rated current.

2. If the built-in fuse on a braking resistor blows, then the entire braking resistor should be replaced.

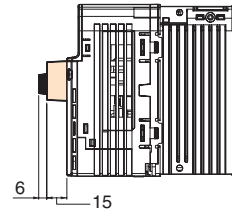
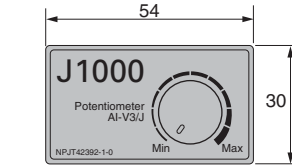
● Potentiometer (Model: AI-V3/J)

Allows for easier speed control.

Model	Code No.
AI-V3/J	100-041-883

Note: Software PRG Version 1010 or later

Dimensions (mm)



Note: Increases drive depth 21 mm.

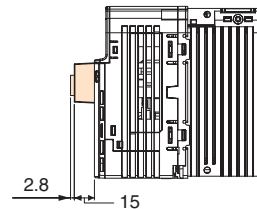
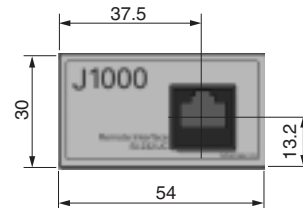
● RS-232C Interface (Model: SI-232/J)

Allows the user to connect an extension cable for remote operation and DriveWizard Plus.

Model	Code No.
SI-232/J	100-041-094

Dimensions (mm)

For SI-232/J and SI-232/JC



Note: Increases drive depth 17.8 mm.

● RS-232C Interface (removable) (Model: SI-232/JC)

Allows the user to take advantage of the USB Copy Unit and the LED Operator use as a Copy Unit and DriveWizard Plus.

Model	Code No.
SI-232/JC	100-041-095

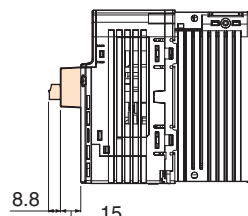
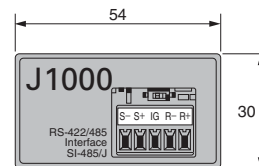
● RS-422/485 Interface for MEMOBUS/Modbus Communication (Model: SI-485/J)

Allows the drive to connect to a network using MEMOBUS/Modbus RTU protocol. Communication cable connector included.

Model	Code No.
SI-485/J	100-041-817

Note: Software PRG Version 1010 or later

Dimensions (mm)



Note: Increases drive depth 23.8 mm.

● USB Copy Unit (Model: JVOP-181)

Use the USB Copy Unit to save and transfer parameter settings or to connect to a PC for operation with DriveWizard.

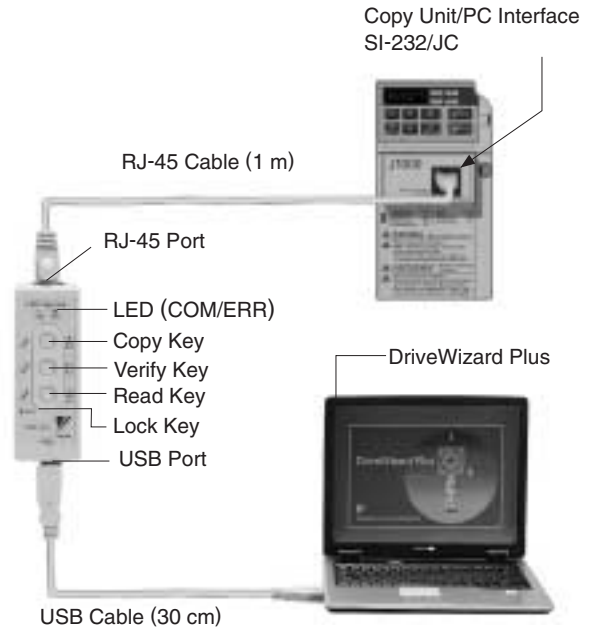
Model	Code No.
JVOP-181	100-038-281

Note: Includes an RJ-45 cable and USB cord.

Specifications

Item	Specifications
Port	LAN (RJ-45): Connect to the drive. USB (Ver.2.0 compatible): Connect to the PC as required.
Power Supply	Uses auxiliary power from the drive or USB port
Operating System	Windows2000/XP
Memory	Stores parameters from a single drive
Dimensions	30 (W) × 80 (H) × 20 (D) mm
Accessories	RJ-45 cable (1 m), USB cable (30 cm)

Notes: 1. Drives must have identical software versions to copy parameters settings.
2. Requires a USB driver.
3. Parameter copy function disabled when connected to a PC.



Note: A USB cable is not required when copying parameter settings from the Copy Unit to another drive.

● PC Cable (Model: WV103)

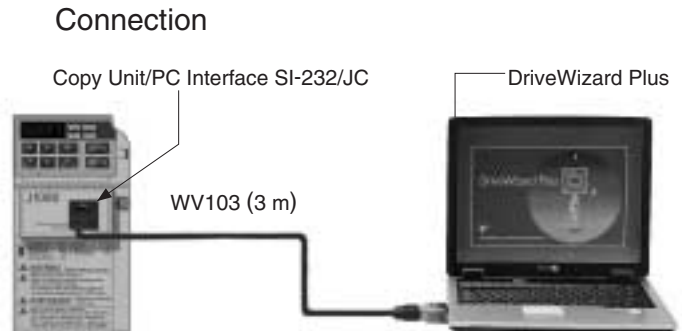
Cable to connect the drive to a PC with DriveWizard Plus or DriveWorksEZ installed.

Model	Code No.
WV103	WV103

Specifications

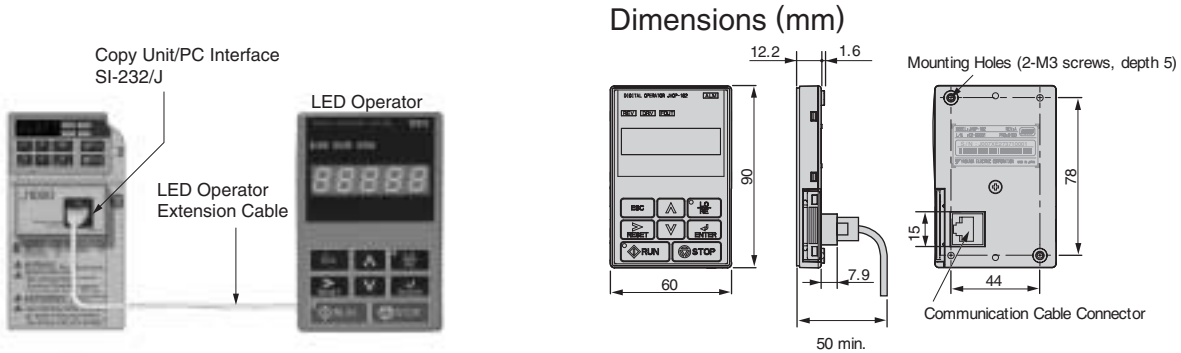
Item	Specifications
Connector	DSUB9P
Cable Length	3 m

Notes: 1. The USB Copy Unit is required to when using a USB cable to connect the drive to a PC.
2. DriveWizard Plus is a PC software package for managing parameters and functions in Yaskawa drives.



Remote LED Operator and Extension Cable

For easier operation when using the optional LED operator by allowing for remote operation. Use in combination with the LED extension cable and the RS-232C interface. Includes a copy function for saving drive settings.



LED Operator

Model	Code No.
JVOP-182	100-043-155

LED Operator Extension Cable

Model	Code No.
WV001 (1 m)	WV001
WV002 (3 m)	WV003

Note: Never use this cable to connect the drive and a PC. Doing so may damage the PC.

The following parts are included for mounting the operator to an enclosure.

Item	Model	Code No.	Installation	Notes
<p>Installation Support Set A</p>	EZZ020642A	100-039-992	<p>M4×10 truss head screw M3×6 pan head screw</p> <p>13.9, min. 50</p>	For use with mounting holes
<p>Installation Support Set B</p>	EZZ020642B	100-039-993	<p>M4 nut M3×6 pan head screw</p> <p>13.9, min. 50</p>	<p>For use with weld studs on panel</p> <p>Note: If weld studs are on the back of the panel, use the Installation Support Set B.</p>

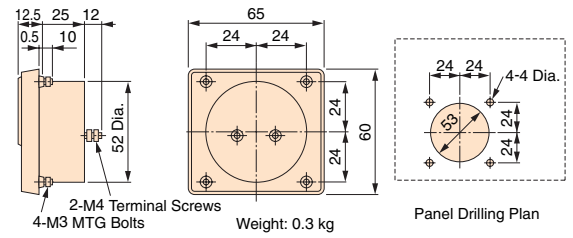
● Frequency Meter/Current Meter



Model	Code No.
Scale-75 Hz full-scale: DCF-6A	FM000065
Scale-60/120 Hz full-scale: DCF-6A	FM000085
Scale-5 A full-scale: DCF-6A	DCF-6A-5A
Scale-10 A full-scale: DCF-6A	DCF-6A-10A
Scale-20 A full-scale: DCF-6A	DCF-6A-20A
Scale-30 A full-scale: DCF-6A	DCF-6A-30A
Scale-50 A full-scale: DCF-6A	DCF-6A-50A

Note: DCF-6A is 3 V, 1 mA, 3 k Ω . For J1000 multi-function analog monitor output, set frequency potentiometer or parameter H4-02 (multi-function analog output terminal AM gain) within 0 to 3 V (default is 0 to 10 V).

Dimensions (mm)

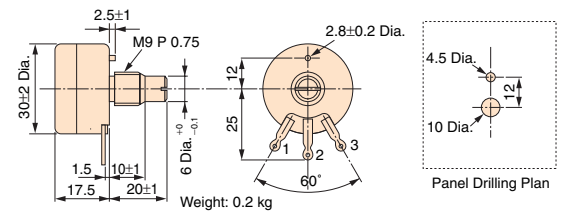


● Frequency Setting Potentiometer/Frequency Meter Adjusting Potentiometer



Model	Code No.
RV30YN20S 2 k Ω	RH000739
RV30YN20S 20 k Ω	RH000850

Dimensions (mm)

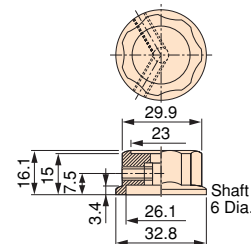


● Control Dial for Frequency Setting Potentiometer/Frequency Meter Adjusting Potentiometer



Model	Code No.
CM-3S	HLNZ-0036

Dimensions (mm)

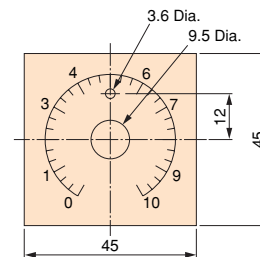


● Meter Plate for Frequency Setting Potentiometer/Frequency Meter Adjusting Potentiometer



Model	Code No.
NPJT41561-1	NPJT41561-1

Dimensions (mm)

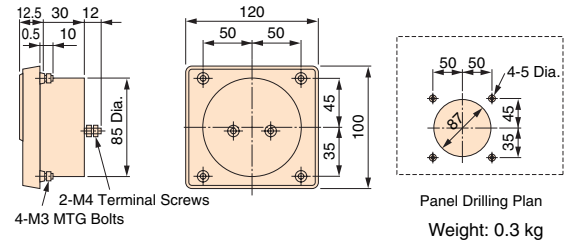


Output Voltage Meter



Model	Code No.
Scale-300 V full-scale(Rectification Type Class 2.5): SCF-12NH	VM000481
Scale-600 V full-scale(Rectification Type Class 2.5): SCF-12NH	VM000502

Dimensions (mm)



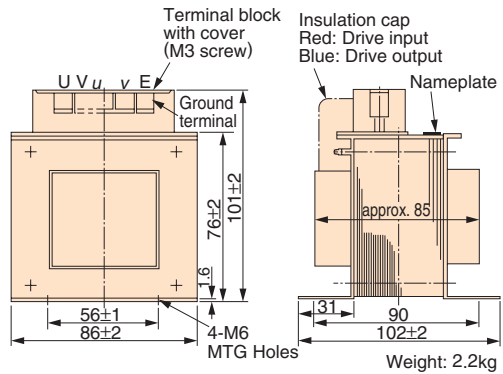
Potential Transformer



Model	Code No.
600 V meter for voltage transformer: UPN-B 440/110 V (400/100 V)	100-011-486

Note: For use with a standard voltage regulator, a standard voltage regulator may not match the drive output voltage. Select a regulator specifically designed for the drive output (100-011-486), or a voltmeter that does not use a transformer and offers direct read out.

Dimensions (mm)



Application Notes

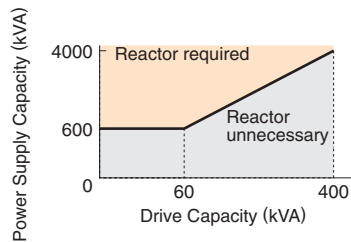
Selection

■ Installing a Reactor

An AC or DC reactor can be used for the following situations:

- when the power supply is 600 kVA or more
- to smooth peak current that results from switching a phase advance capacitor.
- to improve the power supply power factor.

Use an AC reactor when also connecting a thyristor converter to the same power supply system, regardless of the conditions of the power supply.



■ Drive Capacity

Make sure that the motor's rated current is less than the drive's output current. When running a specialized motor or more than one motor in parallel from a single drive, the capacity of the drive should be larger than 1.1 times of the total motor rated current.

■ Starting Torque

The overload rating for the drive determines the starting and accelerating characteristics of the motor. Expect lower torque than when running from line power. To get more starting torque, use a larger drive or increase both the motor and drive capacity.

■ Emergency Stop

When the drive faults out, a protective circuit is activated and drive output is shut off. This, however, does not stop the motor immediately. Some type of mechanical brake may be needed if it is necessary to halt the motor faster than the Fast Stop function is able to.

■ Options

The B1, B2, -, +1, and +2 terminals are used to connect optional devices. Connect only A1000-compatible devices.

■ Repetitive Starting/Stopping

Conveyors, shutters and other such applications with frequent starts and stops often exceed 150% of their rated current values. Heat stress generated from repetitive high current can shorten the lifespan of the IGBTs. The expected lifespan for the IGBTs is about 8 million start and stop cycles with a 4 kHz carrier frequency and a 150% peak current.

Yaskawa recommends lowering the carrier frequency, particularly when audible noise is not a concern. The user can also choose to reduce the load, increase the

acceleration and deceleration times, or switch to a larger drive. This will help keep peak current levels under 150%. Be sure to check the peak current levels when starting and stopping repeatedly during the initial test run, and make adjustments accordingly.

Installation

■ Enclosure Panels

Keep the drive in a clean environment by either selecting an area free of airborne dust, lint, oil mist, corrosive gas, and flammable gas, or install the drive in an enclosure panel. Leave the required space between the drives to provide for cooling, and take steps to ensure that the ambient temperature remains within allowable limits. Keep flammable materials away from the drive. If the drive must be used in an area where it is subjected to oil mist and excessive vibration, protective designs are available. Contact Yaskawa for details.

■ Installation Direction

The drive should be installed upright as specified in the manual.

Settings

■ Upper Limits

Because the drive is capable of running the motor at up to 400 Hz, be sure to set the upper limit for the frequency to control the maximum speed. The default setting for the maximum output frequency is 60 Hz.

■ DC Injection Braking

Motor overheat can result if there is too much current used during DC Injection Braking, or if the time for DC Injection Braking is too long.

■ Acceleration/Deceleration Times

Acceleration and deceleration times are affected by how much torque the motor generates, the load torque, and the inertia moment ($GD^2/4$). Set a longer accel/decel time when Stall Prevention is enabled. The accel/decel times are lengthened for as long as the Stall Prevention function is operating. For faster acceleration and deceleration, increase the capacity of the drive.

General Handling

■ Wiring Check

Never short the drive output terminals or apply voltage to output terminals (U/T1, V/T2, W/T3), as this can cause serious damage to the drive. Doing so will destroy the drive. Be sure to perform a final check of all sequence wiring and other connections before turning the power on. Make sure there are no short circuits on the control terminals (+V, AC, etc.), as this could damage the drive.

■ Magnetic Contactor Installation

Avoid switching a magnetic contactor on the power supply side more frequently than once every 30 minutes. Frequent switching can cause damage to the drive.

■ Inspection and Maintenance

After shutting off the drive, make sure the CHARGE light has gone out completely before performing any inspection or maintenance. Residual voltage in drive capacitors can cause serious electric shock.

The heatsink can become quite hot during operation, and proper precautions should be taken to prevent burns. When replacing the cooling fan, shut off the power and wait at least 15 minutes to be sure that the heatsink has cooled down.

■ Transporting the Drive

Never steam clean the drive.

During transport, keep the drive from coming into contact with salts, fluorine, bromine and other such harmful chemicals.

● Peripheral Devices

■ Installing an MCCB

Install an MCCB or a ground fault interrupter recommended by Yaskawa to the power supply side of the drive to protect internal circuitry. The type of MCCB needed depends on the power supply power factor (power supply voltage, output frequency, load characteristics, etc.). Sometimes a fairly large MCCB may be required due to the affects of harmonic current on operating characteristics. Those using a ground fault interrupter other than those recommended in this catalog, use one fitted for harmonic suppression measures (one designed specifically for drives). The rated current of the ground fault interrupter must be 200 mA or higher per drive unit.

Select an MCCB with a rated capacity greater than the short-circuit current for the power supply. For a fairly large power supply transformer, a fuse can be added to the ground fault interrupter or MCCB in order to handle the short-circuit current level.

■ Installing a Ground Fault Interrupter or an MCCB

Be sure to install an MCCB or an ELCB that is recommended by Yaskawa at the power supply side of the drive to protect internal circuitry.

The type of MCCB needed depends on the power supply power factor (power supply voltage, output frequency, load characteristics, etc.). Sometimes a fairly large MCCB may be required due to the affects of harmonic current on operating characteristics. Those using an ELCB other than those recommended in this

catalog, use one fitted for harmonic suppression measures (one designed specifically for drives). The rated current of the ELCB must be 200 mA or higher per drive unit.

Select an MCCB or an ELCB with a rated capacity greater than the short-circuit current for the power supply. For a fairly large power supply transformer, a fuse can be added to the ELCB or MCCB in order to handle the short-circuit current level.

■ Magnetic Contactor for Motor

As a general principle, the user should avoid opening and closing the magnetic contactor between the motor and the drive during run. Doing so can cause high peak currents and overcurrent faults. If magnetic contactors are used to bypass the drive by connecting the motor to the power supply directly, make sure to close the bypass only after the drive is stopped and fully disconnected from the motor. The Speed Search function should be used to start a coasting motor.

Use an MC with delayed release if momentary power loss is a concern.

■ Motor Thermal Over Load Relay Installation

Although the drive comes with built in electrothermal protection to prevent damage from overheat, a thermal relay should be connected between the drive and each motor if running several motors from the same drive. For a multipole motor or some other type of non-standard motor, Yaskawa recommends using an external thermal relay appropriate for the motor. Be sure to disable the motor protection selection parameter (L1-01 = 0), and set the thermal relay or thermal protection value to 1.1 times the motor rated current listed on the motor nameplate.

When long motor cables and high carrier frequency are used, nuisance tripping of the thermal relay may occur due to increased leakage current. Therefore, reduce the carrier frequency or increase the tripping level of the thermal overload relay.

■ Improving the Power Factor

Installing a DC or AC reactor to the input side of the drive can help improve the power factor.

Refrain from using a capacitor or surge absorber on the output side as a way of improving the power factor, because harmonic contents on the output side can lead to damage from overheat. This can also lead to problems with overcurrent.

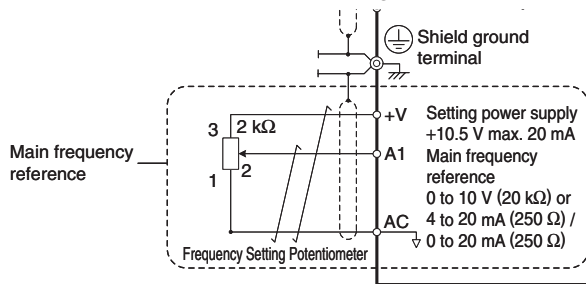
■ Radio Frequency Interference

Drive output contains harmonic contents that can affect the performance of surrounding electronic instruments such as an AM radio. These problems can be prevented by installing a noise filter, as well as by using a properly grounded metal conduit to separate wiring between the drive and motor.

Wire Gauges and Wiring Distance

Motor torque can suffer as a result of voltage loss across a long cable running between the drive and motor, especially when there is low frequency output. Make sure that a large enough wire gauge is used.

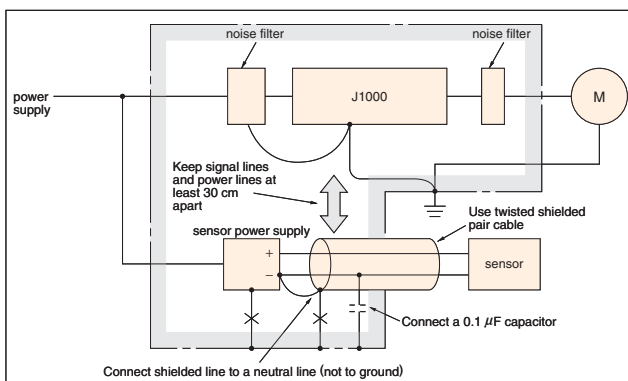
The optional LED operator requires a proprietary cable to connect to the drive. If an analog signal is used to operate the drive via the input terminals, make sure that the wire between the analog operator and the drive is no longer than 50 m, and that it is properly separated from the main circuit wiring. Use reinforced circuitry (main circuit and relay sequence circuitry) to prevent inductance from surrounding devices. To run the drive with a frequency potentiometer via the external terminals, use twisted shielded pair cables and ground the shield.



Counteracting Noise

Because J1000 is designed with PWM control, a low carrier frequency tends to create more motor flux noise than using a higher carrier frequency. Keep the following point in mind when considering how to reduce motor noise:

- Lowering the carrier frequency (C6-02) minimizes the effects of noise.
- A line noise filter can reduce the affects on AM radio frequencies and poor sensor performance. See "Options and Peripheral Devices" on page 26.
- Make sure the distance between signal and power lines is at least 10 cm (up to 30 cm is preferable), and use twisted pair cable to prevent induction noise from the drive power lines.



<Provided by JEMA>

Leakage Current

Harmonic leakage current passes through stray capacitance that exists between the power lines to the

drive, ground, and the motor lines. Consider using the following peripheral devices to prevent problems with leakage current.

	Problem	Solution
Ground Leakage Current	MCCB is mistakenly triggered	<ul style="list-style-type: none"> • Lower the carrier frequency set to parameter C6-02. • Try using a component designed to minimize harmonic distortion for the MCCB such as the NV series by Mitsubishi
Current Leakage Between Lines	Thermal relay connected to the external terminals is mistakenly triggered by harmonics in the leakage current	<ul style="list-style-type: none"> • Lower the carrier frequency set to parameter C6-02. • Use the drive's built-in thermal motor protection function.

Wiring Distance	50 m or less	Up to 100 m	100 m or more
C6-02:	1 to F	1, 2, 7	1, 7
Carrier Frequency Selection	(15 kHz or less)	(5 kHz or less)	(2 kHz or less)

* When a single drive is used to run multiple motors, the length of the motor cable should be calculated as the total distance between the drive and each motor.

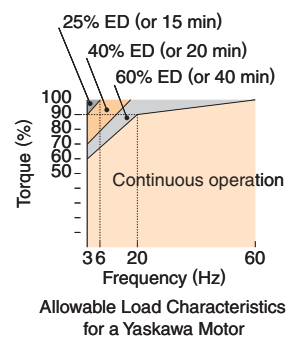
Notes on Motor Operation

Using a Standard Motor

Low Speed Range

There is a greater amount of loss when operating a motor using a drive than when running directly from line power. With a drive, the motor can become quite hot due to the poor ability to cool the motor at low speeds.

The load torque should be reduced accordingly at low speeds. The figure above shows the allowable load characteristics for a Yaskawa standard motor. A motor designed specifically for operation with a drive should be used when 100% continuous torque is needed at low speeds.



Insulation Tolerance

Consider voltage tolerance levels and insulation in applications with an input voltage of over 440 V or particularly long wiring distances.

High Speed Operation

Problems may occur with the motor bearings and dynamic balance in applications operating at over 60 Hz. Contact Yaskawa for consultation.

■ Torque Characteristics

Torque characteristics differ when operating directly from line power. The user should have a full understanding of the load torque characteristics for the application.

■ Vibration and Shock

J1000 lets the user choose between high carrier PWM control and low carrier PWM. Selecting high carrier PWM can help reduce motor oscillation. Keep the following points in mind when using high carrier PWM:

(1) Resonance

Take particular caution when using a variable speed drive for an application that is conventionally run from line power at a constant speed. Shock-absorbing rubber should be installed around the base of the motor and the Jump Frequency selection should be enabled to prevent resonance.

(2) Any imperfection on a rotating body increases vibration with speed.

Caution should be taken when operating above the motor rated speed.

■ Audible Noise

Noise created during run varies by the carrier frequency setting. Using a high carrier frequency creates about as much noise as running from line power. Operating above the rated speed (i.e., above 60 Hz), however, can create unpleasant motor noise.

● Applications with Specialized Motors

■ Multi-pole Motor

Because the rated current will differ from a standard motor, be sure to check the maximum current when selecting a drive. Always stop the motor before switching between the number of motor poles. If a regenerative overvoltage fault occurs or if overcurrent protection is triggered, the motor will coast to stop.

■ Submersible Motor

Because motor rated current is greater than a standard motor, select the drive capacity accordingly. Be sure to use a large enough motor cable to avoid decreasing the maximum torque level on account of voltage drop caused by a long motor cable.

■ Explosion-proof Motor

Both the motor and drive need to be tested together to be certified as explosion-proof. The drive is not for explosion proof areas.

■ Geared Motor

Continuous operation specifications differ by the manufacturer of the lubricant. Due to potential problems

of gear damage when operating at low speeds, be sure to select the proper lubricant. Consult with the manufacturer for applications that require speeds greater than the rated speed range of the motor or gear box.

■ Synchronous Motor

Starting current and rated current are higher for synchronous motors than for standard motors. Contact Yaskawa for the best drive selection when operating a synchronous motor.

■ Single-phase Motor

Variable speed drives are not designed for operating single phase motors. Using a capacitor to start the motor causes excessive current to flow into the capacitors, potentially causing damage. A split-phase start or a repulsion start can end up burning out the starter coils because the internal centrifugal switch is not activated. J1000 is for use only with 3-phase motors.

■ Uras Vibrator

Uras vibrator is a vibration motor that gets power from centrifugal force by rotating unbalanced weights on both ends of the shaft. Make the following considerations when selecting a drive for use with an Uras vibrator:

(1) Uras vibrator should be used within the drive rated frequency

(2) Increase the acceleration time five to fifteen times longer than would normally be used due to the high amount of load inertia of an Uras vibrator

Note: Contact Yaskawa for applications that require an acceleration time of less than 5 s.

(3) Drive may have trouble starting due to undertorque that results from erratic torque (static friction torque at start)

■ Motor with Brake

Caution should be taken when using a drive to operate a motor with a built-in holding brake. If the brake is connected to the output side of the drive, it may not release at start due to low voltage levels. A separate power supply should be installed for the motor brake. Motors with a built-in brake tend to generate a fair amount of noise when running at low speeds.

Power Driven Machinery (decelerators, belts, chains, etc.)

Continuous operation at low speeds wears on the lubricating material used in gear box type systems to accelerate and decelerate power driven machinery. Caution should also be taken when operating at speeds above the rated machine speed due to noise and shortened performance life.

Name	Feature	Capacity Range (kW)					Outline				
		0.1	1	10	100	300		630			
General Purpose	J1000	Compact V/f Control AC Drive	Three-Phase 200 V Class	0.1 ██████████ 5.5					<ul style="list-style-type: none"> Ultra-small body enables side-by-side installation. Compact design of enclosure panel Easy operation with the Potentiometer Option Unit The noise-suppressing Swing PWM system reduces harsh sound. The full-range fully-automatic torque boost function provides high torque output. (100%/1.5 Hz, 150%/3 Hz) The Stall Prevention function and the momentary power loss ride-thru ensure continuous operation, regardless of load/power supply fluctuations or momentary power loss. The Overexcitation braking function enables rapid braking, without using a braking resistor. 		
			Single-Phase 200 V Class	0.1 ██████████ 2.2							
			Three-Phase 400 V Class	0.2 ██████████ 5.5							
	V1000	Compact Vector Control AC Drive	Three-Phase 200 V Class	0.1 ██████████ 18.5						<ul style="list-style-type: none"> Small body and high performance (Current vector control) New technology for driving synchronous motors (IPMM/SPMM) as well as induction motors High starting torque: 200%/0.5 Hz* Torque limit function * At Heavy Duty rating, for induction motors with 3.7 kW or lower Application-specific function selection for simplified optimum setup Easy maintenance using the detachable terminal block with the parameter backup function 	
			Single-Phase 200 V Class	0.1 ██████████ 3.7							
			Three-Phase 400 V Class	0.2 ██████████ 18.5							
	A1000	Advanced Vector Control AC Drive	Three-Phase 200 V Class	0.4 ██████████ 110					<ul style="list-style-type: none"> New technology for driving synchronous motors (IPMM/SPMM) as well as induction motors High starting torque IPM motor without a motor encoder: 0 r/min 200% torque Application preset function selection for simplified optimum setup Easy maintenance using the detachable terminal block with the parameter backup function 		
			Three-Phase 400 V Class	0.4 ██████████ 630							
	Varispeed G7	General-purpose Inverter With Advanced Vector Control Minimal Noise	Three-Phase 200 V Class	0.4 ██████████ 110							<ul style="list-style-type: none"> The 400 V class uses 3-level control for a more perfect output waveform. Open Loop Vector control ensures 150% or higher torque during operation at 0.3 Hz. Flux Vector Control provides a high torque of 150% at zero speed. Easy maintenance and inspection using the detachable control circuit terminals and the detachable cooling fan. Software for various applications (for crane, hoist, etc.) The Auto-Tuning function upgrades all types of general motors to be compatible with high-performance drives.
			Three-Phase 400 V Class	0.4 ██████████ 300							
	Varispeed AC	Environmentally Friendly Motor Drives Matrix Converter	Three-Phase 200 V Class	5.5 ██████████ 45						<ul style="list-style-type: none"> The world's first matrix converter system that outputs AC voltage from AC voltage, and includes power supply regeneration capabilities. The simple, highly-efficient drive can remarkably reduce power supply harmonics, without using peripherals. 	
			Three-Phase 400 V Class	5.5 ██████████ 75							
ECOiPM Drive	Compact and Energy Efficiency Drives	Three-Phase 200 V Class	0.4 ██████████ 15					<ul style="list-style-type: none"> Grade higher than IE3 efficiency class saves energy during operation. V1000 drives combined with compact ECOiPM motors make more compact and lighter drive systems. Less maintenance because bearing grease life is approx. three times longer compared to use with induction motors. Improved reliability with elimination of an encoder of precision device. 			
		Three-Phase 400 V Class	0.4 ██████████ 15								
V1000pico Drive	Super Compact and Environmentally Drives	Three-Phase 200 V Class	0.1 ██████████ 3.7						<ul style="list-style-type: none"> V1000 drives combined with super compact V1000pico motors make more compact and lighter drive systems. Applicable in locations subject to water jets or abrasive powder with its protective enclosure rated IP65 or higher. Improved reliability with elimination of an encoder of precision device. Use of V1000 drives, which can control not only induction motors but also synchronous motors, brings the uniformity of your stock. 		
L1000A	Elevator Applications	Three-Phase 200 V Class	1.5 ██████████ 110								<ul style="list-style-type: none"> Cutting-edge drive technology allows L1000A to run a newly installed gearless synchronous motor, or a refurbished geared induction motor. This minimizes equipment required for your application. Interfaces to match gearless, synchronous motors and every type of absolute encoder. Even without a load sensor, high-performance torque compensation and high-resolution absolute encoder eliminate rollback when the brake is released. Output interrupt Satisfies safety requirements and Ensures a reliable elevator system. Rescue Operation switches to backup battery or UPS in case of a power outage. All standard models are compliant with the Europe's RoHS directive.
		Three-Phase 400 V Class	1.5 ██████████ 110								



Global Service Network



Region	Service Area	Service Location	Service Agency	Telephone/Fax
North America	U.S.A.	Chicago (HQ) Los Angeles San Francisco New Jersey Boston Ohio North Carolina	① YASKAWA AMERICA INC.	Headquarters ☎ +1-847-887-7000 FAX +1-847-887-7310
	Mexico	Mexico City	② PILLAR MEXICANA. S.A. DE C.V.	☎ +52-555-660-5553 FAX +52-555-651-5573
South America	South America	São Paulo	③ YASKAWA ELÉTRICO DO BRASIL LTDA.	☎ +55-11-3585-1100 FAX +55-11-5581-8795
	Colombia	Bogota	④ VARIADORES LTD.A.	☎ +57-1-428-4225 FAX +57-1-428-2173
Europe	Europe, South Africa	Frankfurt	⑤ YASKAWA EUROPE GmbH	☎ +49-6196-569-300 FAX +49-6196-569-398
Asia	Japan	Tokyo, offices nationwide	⑥ YASKAWA ELECTRIC CORPORATION (Manufacturing, sales)	☎ +81-3-5402-4502 FAX +81-3-5402-4580
			⑦ YASKAWA ELECTRIC ENGINEERING CORPORATION (After-sales service)	☎ +81-4-2931-1810 FAX +81-4-2931-1811
	South Korea	Seoul	⑧ YASKAWA ELECTRIC KOREA CORPORATION	☎ +82-2-784-7844 FAX +82-2-784-8495
			⑨ YASKAWA ENGINEERING KOREA CORPORATION	☎ +82-2-3775-0337 FAX +82-2-3775-0338
	China	Beijing, Guangzhou, Shanghai	⑩ YASKAWA ELECTRIC (CHINA) CO., LTD.	☎ +86-21-5385-2200 FAX +86-21-5385-3299
	Taiwan	Taipei	⑪ YASKAWA ELECTRIC TAIWAN CORPORATION	☎ +886-2-2502-5003 FAX +886-2-2505-1280
	Singapore	Singapore	⑫ YASKAWA ELECTRIC (SINGAPORE) PTE. LTD.	☎ +65-6282-3003 FAX +65-6289-3003
			⑬ YASKAWA ENGINEERING ASIA-PACIFIC PTE. LTD.	☎ +65-6282-1601 FAX +65-6382-3668
	Thailand	Bangkok	⑭ YASKAWA ELECTRIC (THAILAND) CO., LTD.	☎ +66-2693-2200 FAX +66-2693-4200
	India	Mumbai	⑮ LARSEN & TOUBRO LIMITED	Headquarters ☎ +91-22-67226200 +91-22-27782230 FAX +91-22-27783032
Oceania	Australia	Sydney (HQ) Melbourne	⑯ ROBOTIC AUTOMATION PTY. LTD.	Headquarters ☎ +61-2-9748-3788 FAX +61-2-9748-3817

J1000

DRIVE CENTER (INVERTER PLANT)

2-13-1, Nishimiyaichi, Yukuhashi, Fukuoka, 824-8511, Japan
Phone: 81-930-25-3844 Fax: 81-930-25-4369
<http://www.yaskawa.co.jp>

YASKAWA ELECTRIC CORPORATION

New Pier Takeshiba South Tower, 1-16-1, Kaigan, Minatoku, Tokyo, 105-6891, Japan
Phone: 81-3-5402-4502 Fax: 81-3-5402-4580
<http://www.yaskawa.co.jp>

YASKAWA AMERICA, INC.

2121 Norman Drive South, Waukegan, IL 60085, U.S.A.
Phone: (800) YASKAWA (927-5292) or 1-847-887-7000 Fax: 1-847-887-7310
<http://www.yaskawa.com>

YASKAWA ELÉTRICO DO BRASIL LTDA.

Avenda Fagundes Filho, 620 Bairro Saude, São Paulo, SP04304-000, Brazil
Phone: 55-11-3585-1100 Fax: 55-11-5581-8795
<http://www.yaskawa.com.br>

YASKAWA EUROPE GmbH

Hauptstrasse 185, 65760 Eschborn, Germany
Phone: 49-6196-569-300 Fax: 49-6196-569-398
<http://www.yaskawa.eu.com>

YASKAWA ELECTRIC UK LTD.

1 Hunt Hill Orchardton Woods, Cumbernauld, G68 9LF, United Kingdom
Phone: 44-1236-735000 Fax: 44-1236-458182
<http://www.yaskawa.co.uk>

YASKAWA ELECTRIC KOREA CORPORATION

9F, Kyobo Securities Bldg., 26-4, Yeouido-dong, Yeongdeungpo-gu, Seoul, 150-737, Korea
Phone: 82-2-784-7844 Fax: 82-2-784-8495
<http://www.yaskawa.co.kr>

YASKAWA ELECTRIC (SINGAPORE) PTE. LTD.

151 Lorong Chuan, #04-01, New Tech Park, 556741, Singapore
Phone: 65-6282-3003 Fax: 65-6289-3003
<http://www.yaskawa.com.sg>

YASKAWA ELECTRIC (CHINA) CO., LTD.

12F, Carlton Bldg., No.21 HuangHe Road, HuangPu District, Shanghai 200003, China
Phone: 86-21-5385-2200 Fax: 86-21-5385-3299
<http://www.yaskawa.com.cn>

YASKAWA ELECTRIC (CHINA) CO., LTD. BEIJING OFFICE

Room 1011, Tower W3 Oriental Plaza, No.1 East Chang An Ave.,
Dong Cheng District, Beijing, 100738, China
Phone: 86-10-8518-4086 Fax: 86-10-8518-4082

YASKAWA ELECTRIC TAIWAN CORPORATION

9F, 16, Nanking E. Rd., Sec. 3, Taipei, 104, Taiwan
Phone: 886-2-2502-5003 Fax: 886-2-2505-1280

YASKAWA ELECTRIC INDIA PRIVATE LIMITED

#17/A Electronics City, Hosur Road Bangalore 560 100 (Karnataka), India
Phone: 91-80-4244-1900 Fax: 91-80-4244-1901
<http://www.yaskawaindia.in>



YASKAWA ELECTRIC CORPORATION

In the event that the end user of this product is to be the military and said product is to be employed in any weapons systems or the manufacture thereof, the export will fall under the relevant regulations as stipulated in the Foreign Exchange and Foreign Trade Regulations. Therefore, be sure to follow all procedures and submit all relevant documentation according to any and all rules, regulations and laws that may apply.

Specifications are subject to change without notice for ongoing product modifications and improvements.

© 2008-2012 YASKAWA ELECTRIC CORPORATION. All rights reserved.

LITERATURE NO. KAEP C710606 24D

Published in Japan August 2012 08-3 ◊-0
12-8-11