

HYBT series

Assembling terminal block

- DIN rail installation structure
- Possible to assemble the terminal block with different capacity to the same fixing plate
- Excellent attaching / detaching of terminal at the temporal position
- Various specification for each rated current



Specification

Model	HYBT-10A	HYBT-15A HYBT-15A2	HYBT-25A	HYBT-35A	HYBT-60A	HYBT-100A
Rated current	10 A	15 A	25 A	35 A	60 A	100 A
Rated insulation voltage	600 V					
Insulation resistance	Min 100 M Ω (each mutual recharging part and between the each recharging part and installation metal plate)					
Dielectric strength	2,500 V a.c for 1min (between the recharging part and non recharging part)					
Terminal bolt	M3	M3,5	M4		M6	
Tightening torque (N · cm)	5.1	8.2	12.2		25.5	
Ambient temperature	-20 ~ 55 °C					
Ambient humidity	45 – 85 % R.H.					

Assembling dimension

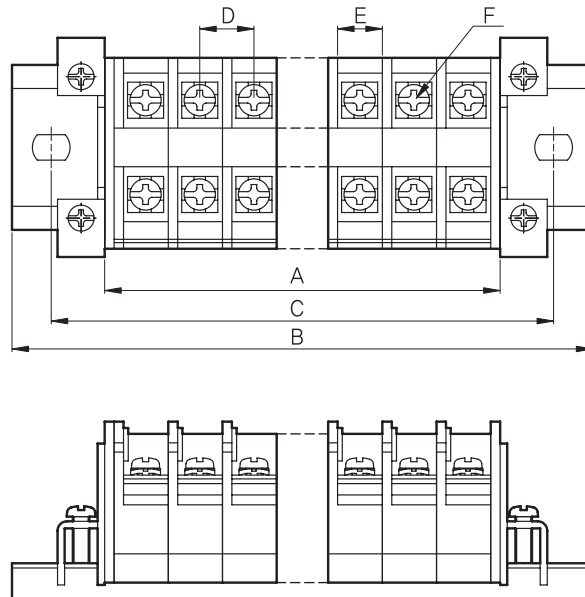
Unit length	A = terminal width (8.2 mm) × number of polarity (P) + separator thickness
Rail length	B = A + 50 (min 30 mm) But please cut as it becomes multiples of 15 mm)
Rail fixing pitch	C = B - 15 mm

HYBT series

■ Model dimensions (base on 10p)

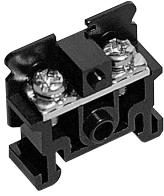
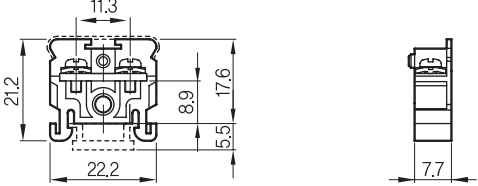
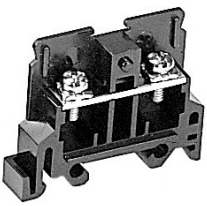
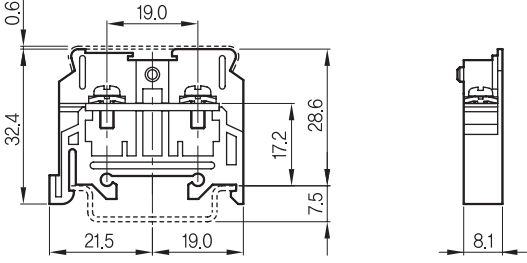
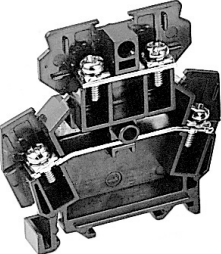
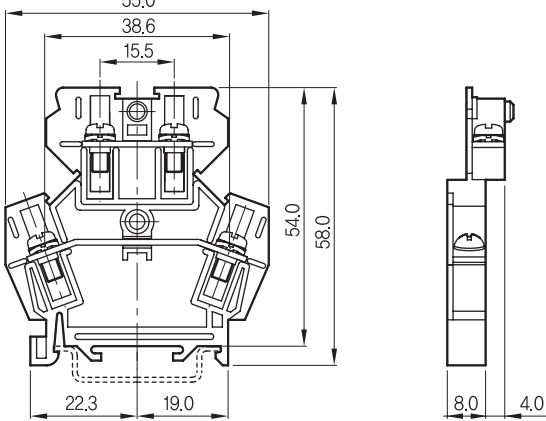
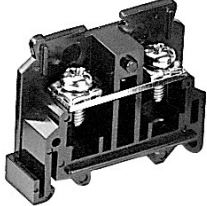
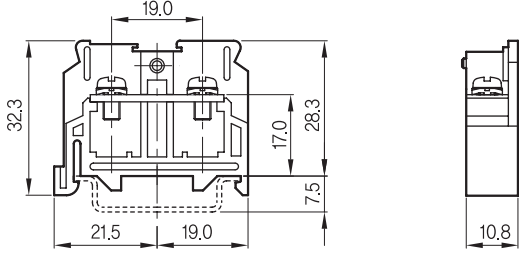
Model	HYBT-10A	HYBT-15A		HYBT-25A	HYBT-35A	HYBT-60A	HYBT-100A
		HYBT-15A2					
Rated current	10 A	15 A		25 A	35 A	60 A	100 A
A length	82	86.2	88	112	119	156	203
B length	148.5	125		150	150	187.5	237.5
C length	135	112.5		137.5	137.5	175	225
D length	7.7	8.1	8.0	10.8	11.5	15.0	19.7
E length	6.7	7.0	6.8	8.8	9.5	12.6	16.7
F size	M3	M3.5		M4	M4	M6	M6

■ HYBT dimension diagram

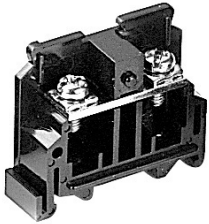
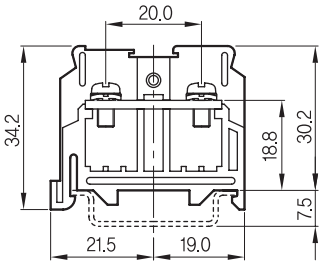
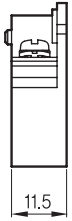
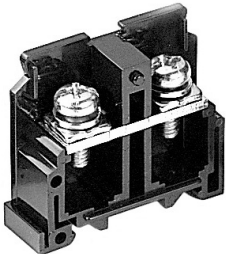
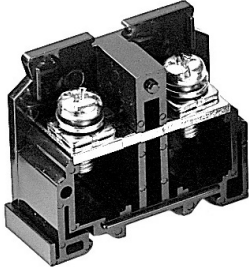
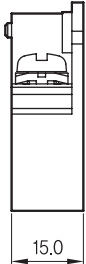
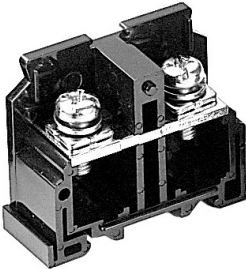
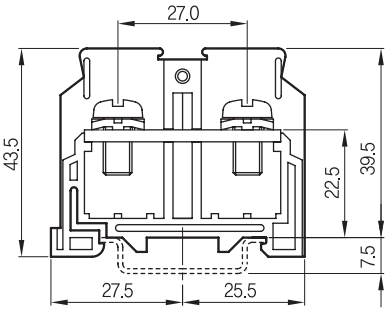
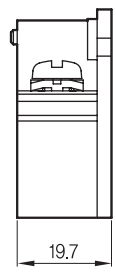


- Control switch
- Combination display light
- Power switch
- Main switch
- Cam switch
- Limit switch
- Micro switch
- Hoist switch
- Foot switch
- Mono lever switch
- Sign tower
- Signal light
- Buzzer
- Terminal block
- Fuse holder
- Control box
- Cable connector
- Discontinued Products

Dimension (unit : mm)

Model	Appearance	Dimension
HYBT-10A		
HYBT-15A		
HYBT-15A2		
HYBT-25A		

HYBT series

Model	Appearance	Dimension	
HYBT-35A			
HYBT-60A			
HYBT-100A			

Control switch
Combination display light

Power switch
Main switch
Cam switch

Limit switch
Micro switch

Hoist switch
Foot switch
Mono layer switch

Sign tower
Signal light

Buzzer
Terminal block
Fuse holder

Control box
Cable connector

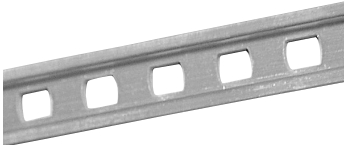
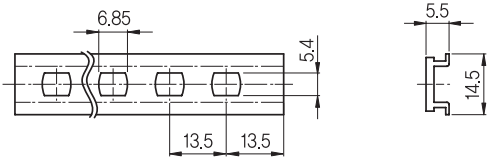

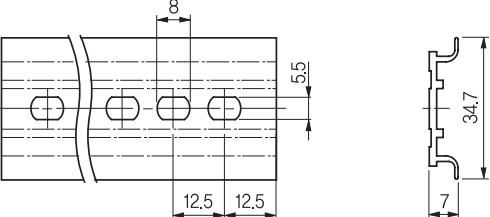

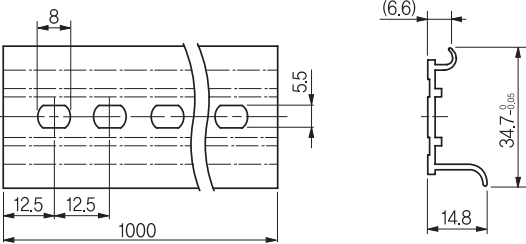
Discontinued Products

● Accessory


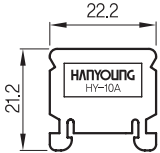
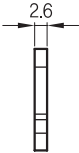

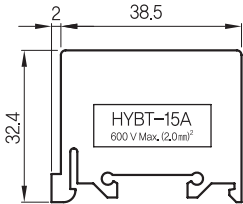
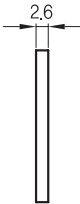
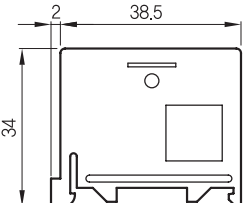
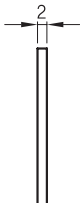
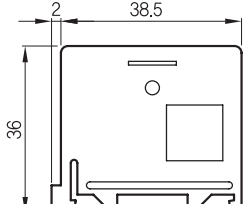
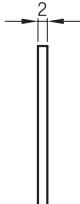
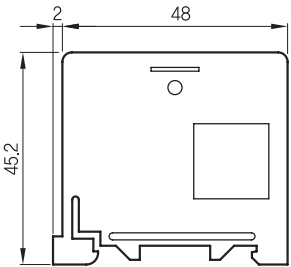

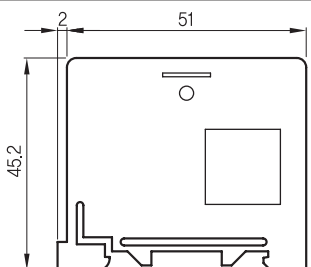
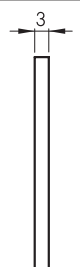
■ Applying accessories classification

Model	HYBT-10A	HYBT-15A HYBT-15A2	HYBT-25A	HYBT-35A	HYBT-60A	HYBT-100A	
Rail	HYBT-CH10	HYBT-01					
Separator	HYBT-SP10	HYBT-02	HYBT-03	HYBT-04	HYBT-05	HYBT-06	
		HYBT-12					
Stopper	HYBT-ST10	HYBT-07					
Terminal cover	HYBT-CV10	HYBT-08			HYBT-09		
Number plate	NBT-03	HYBT-10	HYBT-11				
Short terminal	-	HYBT-13	-	-	-	-	

■ Aluminum rail (DIN Rail)

Appearance	Dimension
 <p>HYBT-CH10 (10 A)</p>	
 <p>HYBT-01 (15 A ~ 100 A)</p>	
 <p>HYBT-01A (15 A ~ 100 A for slant purpose)</p>	

■ Separator

Model	Appearance	Dimension	
HYBT-SP10 (10 A)			
HYBT-02 (15 A)			
HYBT-03 (25 A)			
HYBT-04 (35 A)			
HYBT-05 (60 A)			
HYBT-06 (100 A)			

Control
switch
Combination
display
light

Power switch
Main switch
Cam switch

Limit switch
Micro switch

Hoist switch
Foot switch
Mono lever switch


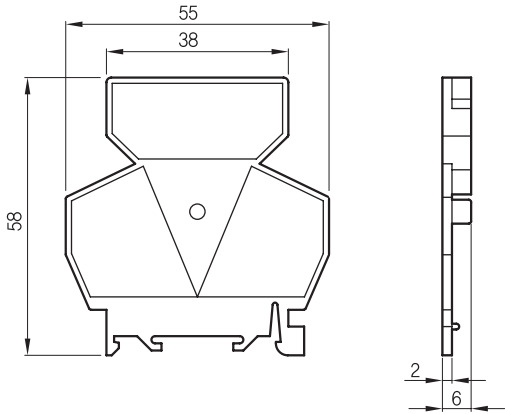
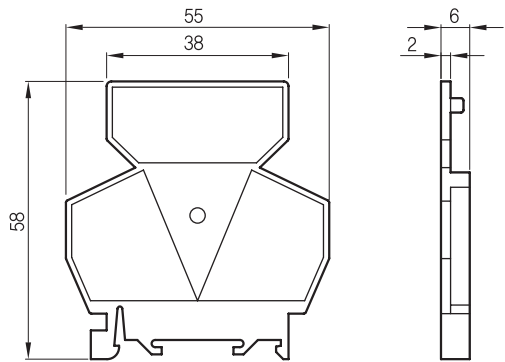
Sign tower
Signal light

Buzzer
Terminal block
Fuse holder


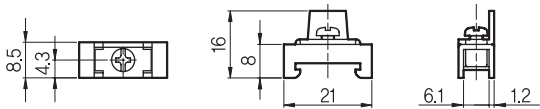

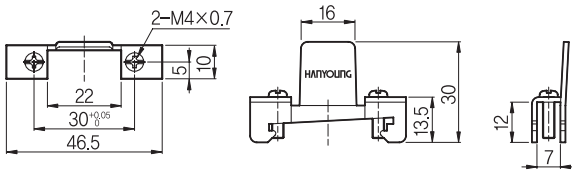
Control box
Cable connector

Discontinued
Products

■ Separator


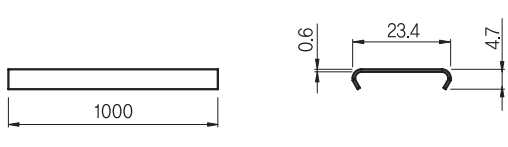
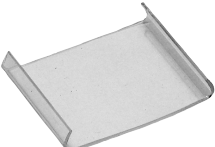
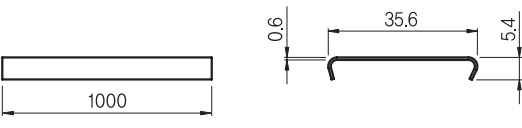
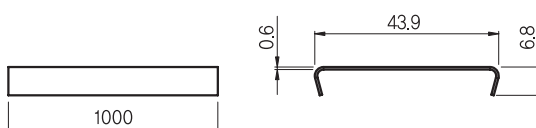
Model	Appearance	Dimension
HYBT-12 (HYBT-15A2-A)		
HYBT-12 (HYBT-15A2-B)		

■ Stopper

Model	Appearance	Dimension
HYBT-ST10		
HYBT07		

HYBT series

■ Terminal cover

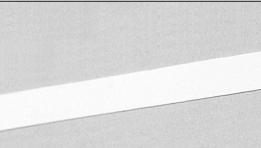
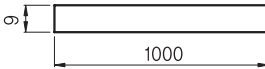
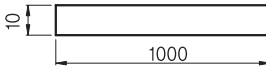
Model	Appearance	Dimension
HYBT-CV10		
HYBT-08		
HYBT-09		

Control switch
Combination display light

Power switch
Main switch
Cam switch

Limit switch
Micro switch


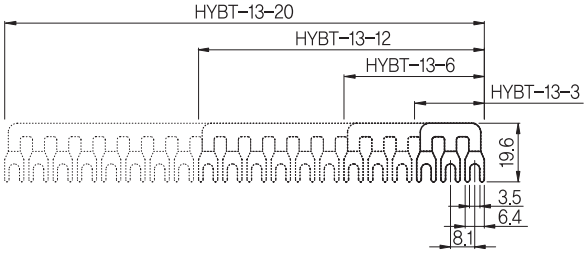



■ Number plate (Seal)

Model	Appearance	Dimension
HYBT10 (9 mm width)		
HYBT11 (10 mm width)		

Hoist switch
Foot switch
Mono layer switch

Sign tower
Signal light

■ Short Bar

Appearance	Dimension
 HYBT-13-3	
 HYBT-13-6	
 HYBT-13-12	
 HYBT-13-20	

Buzzer
Terminal block
Fuse holder

Control box
Cable connector

Discontinued Products

※ Short bar HYBT-13-3~13-20 are only for the HYBT-15A