
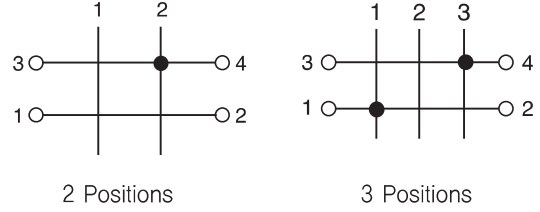



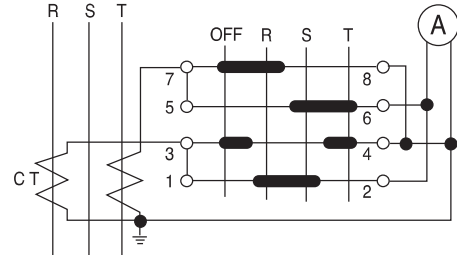

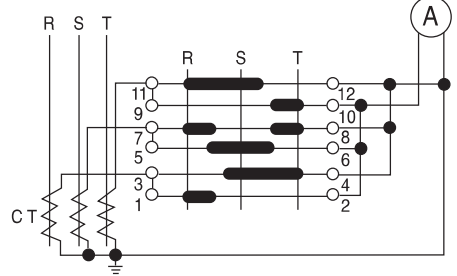

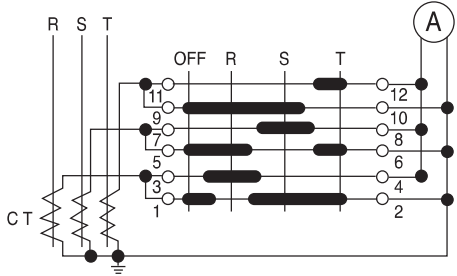
SQ5/305/255 series

Model and usage	Appearance	Standard circuit diagram
HY-255SH2103(Ø25) HY-305SH2103(Ø30) (Selector switch)		 <p>2 Positions 3 Positions</p>

Control switch
Combination display light

Power switch
Main switch
Cam switch

■ Ammeter circuit (A.S)

Model and usage	Appearance	Standard circuit diagram
HY-A332 (3P 3W 2 C.T)		
HY-A333 (3P 3W 3 C.T)		
HY-A343 (3P 3W 3 C.T)		

Limit switch
Micro switch

Hoist switch
Foot switch
Mono lever switch

Signal tower
Signal light

Buzzer
Terminal block
Fuse holder

Control box
Cable connector

Discontinued Products