

HY-256/306/606/606N

Power buzzer

- Compact size, light weight, high capacity buzzer melody
- Excellent alarm function
- Suitable for panel installation
- Low power consumption



Suffix code

Model	Code	Description
HY-	<input type="checkbox"/> - <input type="checkbox"/>	Power Buzzer
Dimension	256	For Ø25
	306	For Ø30
	606	Rectangular panel flush type (For Ø66)
	606N	Rectangular panel extended type (<input type="checkbox"/> 80)
Power supply voltage	1	110 V a.c, 50/60 Hz
	2	220 V a.c, 50/60 Hz
	12	12 V d.c
	24	24 V d.c


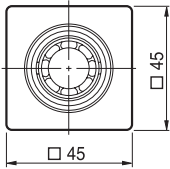
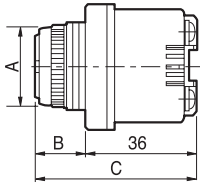

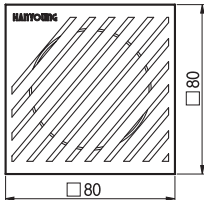
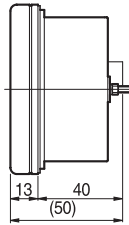
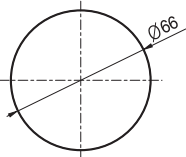

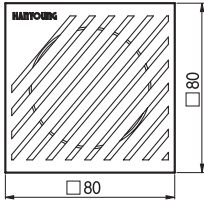
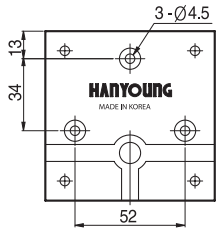
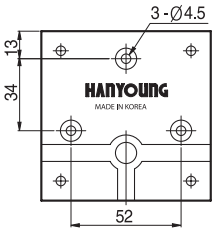
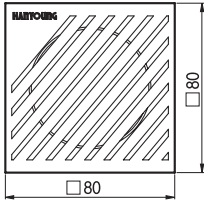
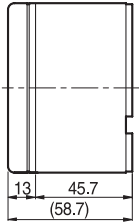
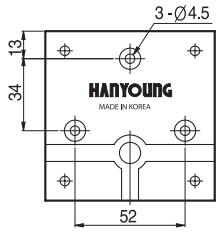
Specification (HY-256, HY-306)

Model	Ø25	HY-256-1	HY-256-2	HY-256-12	HY-256-24
	Ø30	HY-306-1	HY-306-2	HY-306-12	HY-306-24
Power supply voltage		110 V a.c	220 V a.c	12 V d.c	24 V d.c
Power frequency	50/60 Hz			-	
Power consumption	Approx 4 VA			30 mA max.	
Decibel	85 dB (1m distance)				
Insulation resistance	100 M Ω (500V d.c insulation resistance meter)				
Dielectric strength	1,000 V a.c for 1min (recharging part-non recharging part)				
Ambient temperature	-10 °C ~ 55 °C				
Ambient humidity	45 - 85 % R.H.				

●● Specification (HY-606, HY-606N)

Model	flush type	HY-606-1	HY-606-2	HY-606-12	HY-606-24
	extended type	HY-606N-1	HY-606N-2	HY-606N-12	HY-606N-24
Power supply voltage		110 V a.c	220 V a.c	12 V d.c	24 V d.c
Power frequency		50/60 Hz		-	
Power consumption		Approx 8 VA		30 mA max.	
Decibel		85 dB (1m distance)		80 dB (1m distance)	
Insulation resistance		100 M Ω (500 V d.c insulation resistance meter)			
Dielectric strength		1,000 V a.c for 1 min (recharging part-non recharging part)			
Ambient temperature		-10 °C ~ 55 °C			
Ambient humidity		45 - 85 % R.H.			

●● Dimension (unit : mm)

Model	Appearance	Dimension				
HY-256 HY-306						
		Model	A	B	C	panel cutout
HY-256	$\varnothing 31$	27.5	74	$\varnothing 25.5^{+0.5}_0$ mm		
HY-306	$\varnothing 36$	27.5	74	$\varnothing 30.5^{+0.5}_0$ mm		
HY-606						
						
HY-606N						

Control switch
Combination display light

Power switch
Main switch
Cam switch

Limit switch
Micro switch

Hoist switch
Foot switch
Mono lever switch

Sign tower
Signal light

Buzzer
Terminal block
Fuse holder

Control box
Cable connector

Discontinued Products