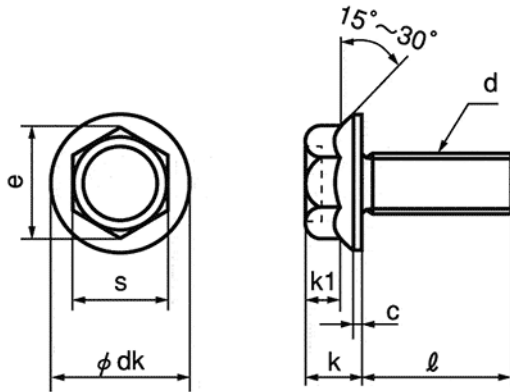


Hexagon Flange Bolts – HFB series

Material: Carbon steel

Grade: 4.8, 8.8

Surface treatment: White zinc plating



Thread diameter	Thread length (mm)	Pitch (mm)	s (mm)	dk (mm)	k (mm)
M5	20;25;30	0.8	7.0	11.8	5.4
M6	10;16,20;25	1.0	8.0	14.2	6.6
M8	16,20;25;30	1.25	10.0	18.0	8.1
M10	20	1.5	13.0	22.3	9.2
M12	40	1.75	15.0	26.6	11.5
M14	30;50	2	18.0	30.5	12.8
M16	...	2	21.0	35.0	14.4
M20	...	2.5	27	43.0	17.1