





## HDC6-N Directional AC Contactor

Order Information  
Standard: IEC/EN 60947-4-1



Product Name	Rated Current	Directional Contactor	Coil Voltage	Coil Frequency
HDC6	09	N	M	
	09:9A ... 630:630A	N:Mechanical interlock	B:24V ... X:440V	Default: 50Hz 7:50/60Hz

AC-3, 380/400V				Instant Auxiliary Contact	Reference
Rated Current (A)	Rated Power (KW)				
9	4	1	1		HDC6 09N*
12	5.5	1	1		HDC6 12N*
18	7.5	1	1		HDC6 18N*
25	11	1	1		HDC6 25N*
32	15	1	1		HDC6 32N*
40	18.5	1	1		HDC6 40N*
50	22	1	1		HDC6 50N*
65	30	1	1		HDC6 65N*
80	37	1	1		HDC6 80N*
95	45	1	1		HDC6 95N*
115	55	-	-		HDC6 115N*
150	75	-	-		HDC6 150N*
185	90	-	-		HDC6 185N*
225	110	-	-		HDC6 225N*
265	132	-	-		HDC6 265N*
330	160	-	-		HDC6 330N*
400	200	-	-		HDC6 400N*
500	250	-	-		HDC6 500N*
630	335	-	-		HDC6 630N*

Note: \* means coil voltage; " - " means coil frequency

### Code Table of Coil Voltage

AC Coil Voltage (V)	24	36	48	110	127	220	230	240	360	400	415	440
50Hz	B	C	E	F	S	M	-	-	Q	V	L	X
50/60Hz	B7	-	-	F7	-	M7	N7	-	O7	V7	L7	-

Note: 115-630AF refers to the actual situation

## HDC6 AC Contactor

Order Information  
Standard: IEC/EN 60947-4-1



Product Name	Rated Current	Auxiliary Contact	Coil Voltage	Coil Frequency
HDC6	09	11	M	
	09:9A ... 630:630A	11:1NO+1NC 00:0NO+0NC	B:24V ... X:440V	Default: 50Hz 7:50/60Hz

AC-3, 380/400V				Instant Auxiliary Contact	Reference
Rated Current (A)	Rated Power (KW)				
9	4	1	1		HDC6 09 11*
12	5.5	1	1		HDC6 12 11*
18	7.5	1	1		HDC6 18 11*
25	11	1	1		HDC6 25 11*
32	15	1	1		HDC6 32 11*
40	18.5	1	1		HDC6 40 11*
50	22	1	1		HDC6 50 11*
65	30	1	1		HDC6 65 11*
80	37	1	1		HDC6 80 11*
95	45	1	1		HDC6 95 11*
115	55	-	-		HDC6 115 00*
150	75	-	-		HDC6 150 00*
185	90	-	-		HDC6 185 00*
225	110	-	-		HDC6 225 00*
265	132	-	-		HDC6 265 00*
330	160	-	-		HDC6 330 00*
400	200	-	-		HDC6 400 00*
500	250	-	-		HDC6 500 00*
630	335	-	-		HDC6 630 00*

Note: \* means coil voltage; " - " means coil frequency

### Code Table of Coil Voltage

AC Coil Voltage (V)	24	36	48	110	127	220	230	240	360	400	415	440
50Hz	B	C	E	F	S	M	-	-	Q	V	L	X
50/60Hz	B7	-	-	F7	-	M7	N7	-	O7	V7	L7	-

Note: 115-630AF refers to the actual situation



# HDC6 AC Contactor

Main Technical Parameter  
Standard IEC/EN 60947-4-1



## Main Technical Parameter



Model	HDC6-09										HDC6-12			HDC6-18			HDC6-25			HDC6-32			HDC6-40			HDC6-50			HDC6-65			HDC6-80			HDC6-95			HDC6-115			HDC6-150			HDC6-185			HDC6-225			HDC6-265			HDC6-330			HDC6-400			HDC6-500			HDC6-630		
-------	---------	--	--	--	--	--	--	--	--	--	---------	--	--	---------	--	--	---------	--	--	---------	--	--	---------	--	--	---------	--	--	---------	--	--	---------	--	--	---------	--	--	----------	--	--	----------	--	--	----------	--	--	----------	--	--	----------	--	--	----------	--	--	----------	--	--	----------	--	--	----------	--	--

Main Circuit Characteristics			Rated Operating Current (AC380V/400V)			Rated Insulation Voltage (Ui)			Maximum Rated Operating Voltage (Ue)			Number of Poles			Rated Operating Power			Class AC-3			Electric Durabilities (10 thousand times)			Operating Rate (time/h)			Mechanical Durabilities																																															
Rated Operating Current (AC380V/400V)	9A	12A	18A	25A	32A	40A	50A	65A	80A	95A	3.5A	8.9A	12A	18A	21A	34A	39A	42A	49A	55A	125A	690V	690V	3	2.2kW	3kW	4kW	5.5kW	7.5kW	11kW	15kW	18.5kW	22kW	25kW	4kW	5.5kW	7.5kW	11kW	15kW	22kW	30kW	37kW	45kW	45kW	100	100	100	100	100	80	80	80	60	60	1200	1200	1200	1200	1200	600	600	600	600	600	1000	1000	1000	1000	1000	800	800	800	800	800
Rated Operating Current (AC380V/400V)	115A	150A	185A	225A	265A	330A	400A	500A	630A	52A	60A	79A	85A	105A	117A	138A	147A	178A	188A	220A	1000V	690V	3	30kW	40kW	55kW	63kW	75kW	100kW	110kW	120kW	147kW	178kW	55kW	75kW	90kW	110kW	132kW	160kW	200kW	250kW	335kW	335kW	120	100	100	100	80	80	80	80	80	80	600	600	600	600	600	600	600	600	600	600	1000	1000	1000	1000	1000	600	600	600	600	600	

Coil			Rated Control Circuit Voltage (Us)			Allowable Control Circuit Voltage (Us)			Coil Power		
Rated Control Circuit Voltage (Us)	50/60Hz	110V, 127V, 220V-230V, 240V, 380V-400V, 440V	50/60Hz	110V, 127V, 220V-230V, 240V, 380V-400V	110V, 127V, 220V-230V, 240V, 380V-400V, 440V	85%-110% Us	20%-75% Us	70	110	200	
Allowable Control Circuit Voltage (Us)	Operation Drop-out	85%-110% Us	20%-75% Us	85%-110% Us	20%-75% Us	70	110	8	11	20	
Coil Power	Actuation VA	8	11	3-4	8	11	3-4	8	11	20	
	Holding VA	1.8-2.7	1.8-2.7	1.8-2.7	1.8-2.7	1.8-2.7	1.8-2.7	1.8-2.7	1.8-2.7	1.8-2.7	
	Heat dissipation W	1.8-2.7	1.8-2.7	1.8-2.7	1.8-2.7	1.8-2.7	1.8-2.7	1.8-2.7	1.8-2.7	1.8-2.7	

Terminal Wiring Ability			Soft Wire Without Terminal Block			Soft Wire With Terminal Block			Hard Wire Without Terminal Block		
Terminal Wiring Ability	1pc (wire section mm <sup>2</sup> )	1-4	1-4	1.5-6	1.5-10	2.5-10	2.5-25	2.5-25	2.5-25	2.5-25	
	2 pcs (wire section mm <sup>2</sup> )	1-4	1-4	1.5-6	1.5-10	2.5-16	2.5-16	2.5-16	2.5-16	2.5-16	
	3 pcs (wire section mm <sup>2</sup> )	1-4	1-4	1.5-6	1.5-10	2.5-10	2.5-10	2.5-10	2.5-10	2.5-10	
	4 pcs (wire section mm <sup>2</sup> )	1-4	1-4	1.5-6	1.5-10	2.5-10	2.5-10	2.5-10	2.5-10	2.5-10	
	5 pcs (wire section mm <sup>2</sup> )	1-4	1-4	1.5-6	1.5-10	2.5-10	2.5-10	2.5-10	2.5-10	2.5-10	
	6 pcs (wire section mm <sup>2</sup> )	1-4	1-4	1.5-6	1.5-10	2.5-10	2.5-10	2.5-10	2.5-10	2.5-10	
	7 pcs (wire section mm <sup>2</sup> )	1-4	1-4	1.5-6	1.5-10	2.5-10	2.5-10	2.5-10	2.5-10	2.5-10	
	8 pcs (wire section mm <sup>2</sup> )	1-4	1-4	1.5-6	1.5-10	2.5-10	2.5-10	2.5-10	2.5-10	2.5-10	
	9 pcs (wire section mm <sup>2</sup> )	1-4	1-4	1.5-6	1.5-10	2.5-10	2.5-10	2.5-10	2.5-10	2.5-10	
	10 pcs (wire section mm <sup>2</sup> )	1-4	1-4	1.5-6	1.5-10	2.5-10	2.5-10	2.5-10	2.5-10	2.5-10	

Auxiliary Contact			Rated Thermal Current (Ith)			Rated Operating Voltage (Ue)			Rated Control Capacity		
Auxiliary Contact	A	10	A	10	A	10	ACV	400	DCV	220	
	ACV	400	ACV	400	DCV	220	AC-15 VA	360	AC-15 VA	360	
	DCV	220	DCV	220	AC-15 VA	360	AC-15 VA	360	AC-15 VA	360	
	Rated Control Capacity	360	Rated Control Capacity	360	Rated Control Capacity	360	Rated Control Capacity	360	Rated Control Capacity	360	



### HDC6 AC Contactor

Directional Contactor  
Standard IEC/EN 60947-4-1



### HDC6 AC Contactor

Option for Star Delta Starter  
Standard IEC/EN 60947-4-1



### Contactor (HDC6-09~95)

Motor		Contactor		Contactor		Contactor		Thermal Overload Relay	
Class AC-3 50Hz 3-Phase Electromotor		Straight Connection		Delta Connection		Star Connection			
P (KW)	In (A)	IrD (A)	Type	Type	Type	Type	Type	Type	Setting Range (A)
1.5	3.5	2	HDC6-09	HDC6-09	HDC6-09	HDC6-09	HDC6-09	HDR6-18	1.8-2.5
2.2	5	3	HDC6-09	HDC6-09	HDC6-09	HDC6-09	HDC6-09	HDR6-18	2.5-3.6
3	6.6	4	HDC6-09	HDC6-09	HDC6-09	HDC6-09	HDC6-09	HDR6-18	3.5-4.8
4	8.5	5	HDC6-09	HDC6-09	HDC6-09	HDC6-09	HDC6-09	HDR6-18	4.5-6.3
5.5	11.5	6	HDC6-12	HDC6-12	HDC6-12	HDC6-12	HDC6-09	HDR6-18	5-7
7.5	15.5	9	HDC6-18	HDC6-18	HDC6-18	HDC6-18	HDC6-09	HDR6-18	9-12
9	18.5	11	HDC6-18	HDC6-18	HDC6-18	HDC6-18	HDC6-12	HDR6-18	11-15
11	22	13	HDC6-18	HDC6-18	HDC6-18	HDC6-18	HDC6-18	HDR6-18	11-15
15	30	16	HDC6-25	HDC6-25	HDC6-25	HDC6-18	HDC6-18	HDR6-32	14-18
18.5	37	22	HDC6-25	HDC6-25	HDC6-25	HDC6-18	HDC6-18	HDR6-32	18-25
22	44	26	HDC6-32	HDC6-32	HDC6-32	HDC6-25	HDC6-25	HDR6-32	23-32
30	60	35	HDC6-40	HDC6-40	HDC6-40	HDC6-32	HDC6-32	HDR6-95	30-40
37	72	40	HDC6-50	HDC6-50	HDC6-50	HDC6-40	HDC6-40	HDR6-95	37-50
45	85	47	HDC6-65	HDC6-65	HDC6-65	HDC6-50	HDC6-50	HDR6-95	37-50
55	105	58	HDC6-80	HDC6-80	HDC6-80	HDC6-65	HDC6-65	HDR6-95	55-70
75	138	78	HDC6-95	HDC6-95	HDC6-95	HDC6-80	HDC6-80	HDR6-95	63-80

Directional Contactor (horizontal installation)	Rated Capacity (kW)		Rated Current (Ie)		Rated Thermal Current (A) AC-1
	AC-3 400V	690V	AC-3 400V	690V	
HDC6-09N	4	5.5	9	6.6	20
HDC6-12N	5.5	7.5	12	8.9	20
HDC6-18N	7.5	10	18	12	32
HDC6-25N	11	15	25	18	40
HDC6-32N	15	18.5	32	21	50
HDC6-40N	18.5	30	40	34	60
HDC6-50N	22	33	50	39	80
HDC6-65N	30	37	65	42	80
HDC6-80N	37	45	80	49	125
HDC6-95N	45	45	95	55	125
HDC6-115N	55	80	115	86	200
HDC6-150N	75	100	150	108	200
HDC6-185N	90	110	185	118	275
HDC6-225N	110	129	225	137	275
HDC6-265N	132	160	265	170	315
HDC6-330N	160	220	330	235	380
HDC6-400N	200	280	400	303	450
HDC6-500N	250	335	500	353	630
HDC6-630N	335	450	630	462	800



### HDC6 AC Contactor

Option for Star-Delta Starter  
Standard IEC/EN 60947-4-1

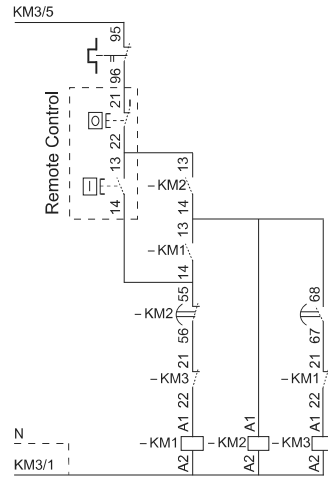
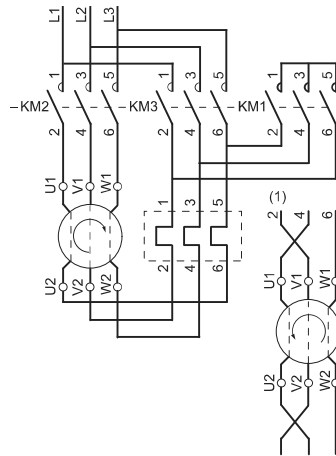


### HDC6 AC Contactor

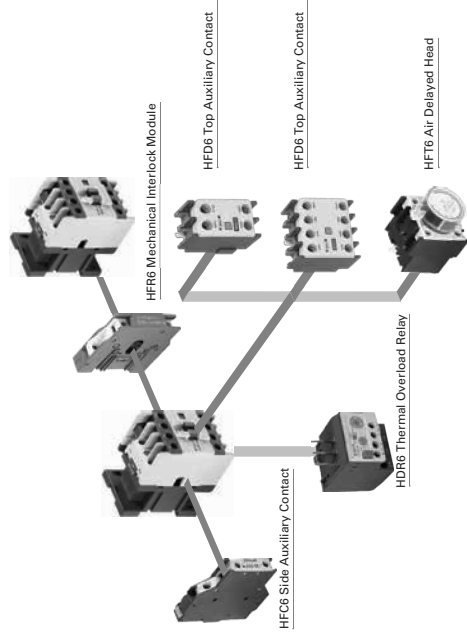
Accessories  
Standard IEC/EN 60947-4-1



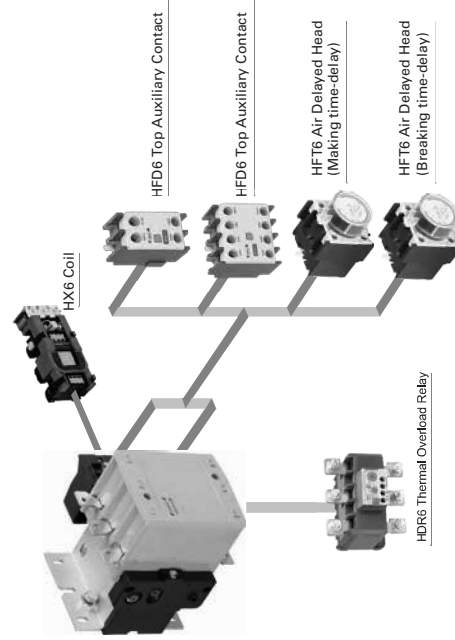
#### Wiring Diagram for Star-Delta Starter



#### HDC6-9-95A Contactor Accessories



#### HDC6-115-630A Contactor Accessories





## HDC6 AC Contactor

Accessories  
Standard IEC/EN 60947-4-1



### Auxiliary Contact

Installation Position	Pole	Auxiliary Contact NO	Auxiliary Contact NC	Contact Point Layout	Reference
Top	2	0	2		HFD6 02
	1	1	1		HFD6 11
	2	0	0		HFD6 20
Top	4	0	4		HFD6 04
	1	3	3		HFD6 13
	2	2	2		HFD6 22
	3	1	1		HFD6 31
Side	2	0	2		HFC6 02
	1	1	1		HFC6 11
	2	0	0		HFC6 20

### HFT6 Air Delayed Head

Installation Position	Delay Type	Wiring Diagram	Delay Range	Reference
Top	Making time-delay		0.1-3s 0.1-30s 10-180s	HFT6 20 HFT6 22 HFT6 24
	Breaking time-delay		0.1-3s 0.1-30s 10-180s	HFT6 30 HFT6 32 HFT6 34

## HDC6 AC Contactor

Accessories  
Standard IEC/EN 60947-4-1



### Mechanical Interlock Module

Horizontal Installation	Contact Type	Reference
Mechanical interlock with electrical terminal	HDC6-9-32	HFR6 32 H
	HDC6-40-95	HFR6 95 H
Mechanical interlock without electrical terminal	HDC6-9-32	HFR6 32 HX
	HDC6-115-150	HFR6 FF H
	HDC6-185-225	HFR6 GGH
	HDC6-265-330	HFR6 HHH
Simplified mechanical interlock without bars	HDC6-400-500	HFR6 KK H
	HDC6-630	HFR6 LL H
	HDC6-115-150	HFR6 FF Hs
HDC6-185-225	HDC6-185-225	HFR6 GGHs
	HDC6-265-330	HFR6 HHHs
	HDC6-400-500	HFR6 KK Hs
HDC6-630	HFR6 LL Hs	

### Vertical Installation (Mechanical interlock without electrical terminal)

Contact Type	Interlock Device Reference
Bottom	
HDC6-115	HFR6 FFV
or	HFR6 FGV
HDC6-150	HFR6 FGV
HDC6-185	HFR6 FGV
HDC6-225	HFR6 FHV
HDC6-265	HFR6 FHV
HDC6-330	HFR6 FHV
HDC6-400	HFR6 FHV
HDC6-500	HFR6 FHV
HDC6-630	HFR6 FLV
HDC6-185	HFR6 GGV
or	HFR6 GGV
HDC6-225	HFR6 GKV
HDC6-265	HFR6 GKV
HDC6-330	HFR6 GKV
HDC6-400	HFR6 GKV
HDC6-500	HFR6 GKV
HDC6-630	HFR6 GLV
HDC6-265	HFR6 HKV
or	HFR6 HKV
HDC6-330	HFR6 HKV
HDC6-400	HFR6 HKV
HDC6-500	HFR6 HL V
HDC6-630	HFR6 HKV
HDC6-500	HFR6 HL V
HDC6-630	HFR6 HL V
HDC6-630	HFR6 LL V



Note: Vertical installation adopts mechanical interlock device equipped with the interlock without electricity

## HDC6 AC Contactor

Accessories  
Standard IEC/EN 60947-4-1



## HDC6 AC Contactor

Overall Dimension of Installation  
Standard IEC/EN 60947-4-1



### HX6 Coil

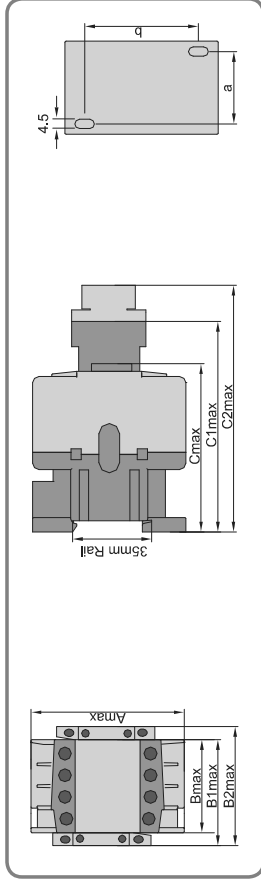
Corresponding Contactor	Coil Voltage	Reference
115A-150A	220V 380V	HXG 150 M HXG 150 Q
185A-225A	220V 380V	HXG 225 M HXG 225 Q
265A-300A	220V 380V	HXG 330 M HXG 330 Q
400A	220V 380V	HXG 400 M HXG 400 Q
500A	220V 380V	HXG 500 M HXG 500 Q
630A	220V 380V	HXG 630 M HXG 630 Q

### HMC6 Main Contact

Number of Poles	Contactor Current Specification	Reference
3	115A	HMC6 115
	150A	HMC6 150
	185A	HMC6 185
	225A	HMC6 225
	265A	HMC6 265
	330A	HMC6 330
	400A	HMC6 400
	500A	HMC6 500
	630A	HMC6 630

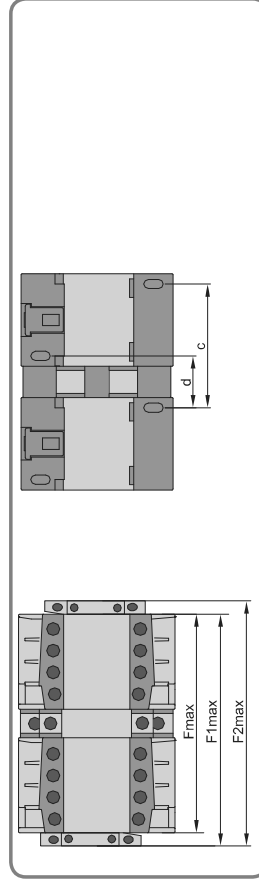


### HDC6-9~32



HDC6	9/12	18	25/32
A	74.5	74.5	80
B (without accessory)	45.5	45.5	56.5
B1 (with one HFC6)	58	58	69
B2 (with two HFC6)	71	71	82
C (without accessory)	84	89	99.5
C1 (with HFD6)	116	122	132
C2 (with HFT6)	141	145	156
a	35	35	40
b	50/60	50/60	50/70

### HDC6-9~32N



HDC6	9N/12N	18N	25N/32N
F (without accessory)	108	108	132
F1 (with one HFC6)	119	119	143
F2 (with two HFC6)	131	131	155
c	60	60	71.5
d	25	25	31.5

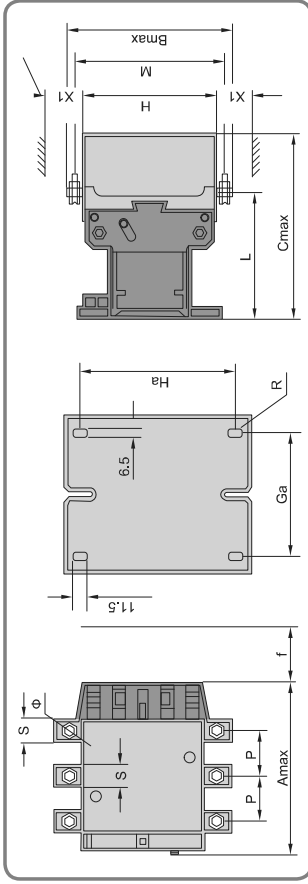


### HDC6 AC Contactor

Overall Dimension of Installation  
Standard: IEC/EN 60947-4-1



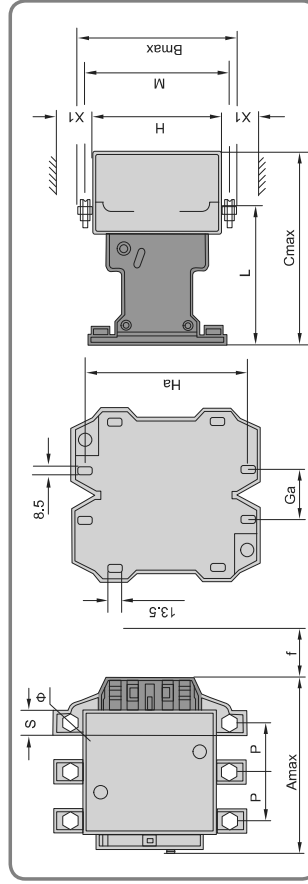
#### HDC6-115~330



Type	Amax	Bmax	Cmax	P	S	φ	f	M	H	L	X1 (200-550V)	X1 (600-1000V)	Ga	Ha
HDC6-115	167	163	172	37	20	M6	131	147	124	107	10	15	80	110~120
HDC6-150	167	171	172	40	20	M8	131	150	124	107	10	15	80	110~120
HDC6-185	171	174	183	40	20	M8	131	154	127	113.5	10	15	80	110~120
HDC6-225	171	197	183	48	25	M10	131	172	127	113.5	10	15	80	110~120
HDC6-265	202	203	215	48	25	M10	147	178	147	141	10	15	96	110~120
HDC6-330	213	206	220	48	25	M10	147	181	158	145	10	15	96	110~120

Note: 'f' reserved space to ensure draw-out coil can take out easily

#### HDC6-400~500



Type	Amax	Bmax	Cmax	P	S	φ	f	M	H	L	X1 (200-550V)	X1 (600-1000V)	Ga	Ha
HDC6-400	213	206	220	48	25	M10	146	181	158	145	15	20	80	170~180
HDC6-500	223	233	233	55	30	M10	150	208	172	146	15	20	80	170~180

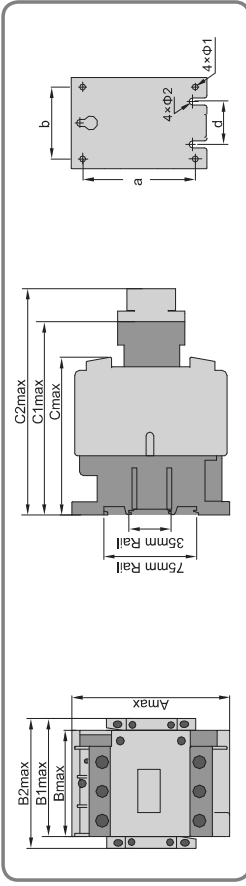
Note: 'f' reserved space to ensure draw-out coil can take out easily

### HDC6 AC Contactor

Overall Dimension of Installation  
Standard: IEC/EN 60947-4-1

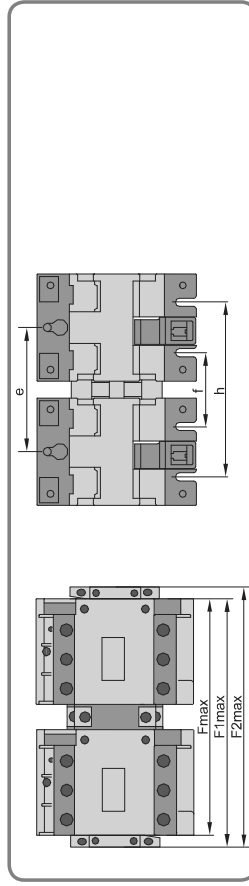


#### HDC6-40~95



HDC6	40/50/65	80/95
A	127	127
B (without accessory)	75	85
B1 (with one HFC6)	89	99
B2 (with two HFC6)	102	112
C (without accessory)	118.5	127.5
C1 (with HFD6)	150	160
C2 (with HFT6)	175	185
a	105	105
b	59	67
c	105	105
d	40	40
φ1	5.5	5.5
φ2	6.5	6.5

#### HDC6-40N~95N



HDC6	40N/50N/65N	80N/95N
F (without accessory)	169	190
F1 (with one HFC6)	182	203
F2 (with two HFC6)	195	216
e	90	100.5
f	50	60.5
h	130	140

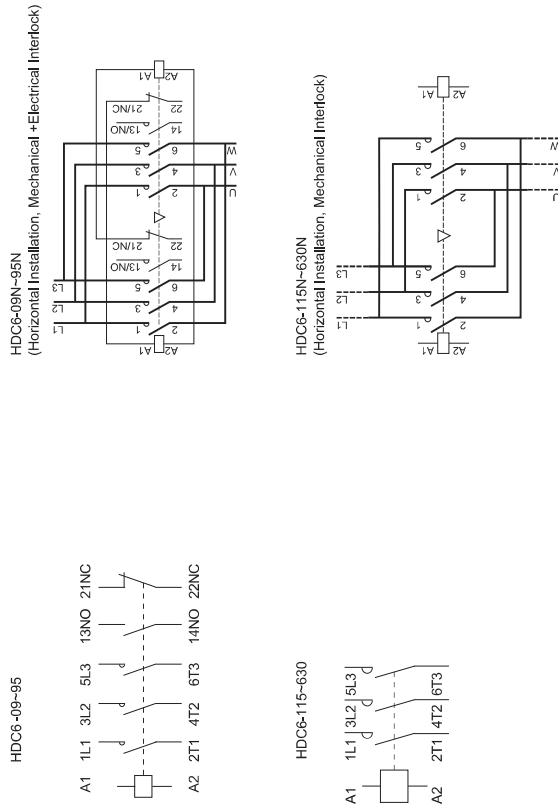


### HDC6 AC Contactor

Overall Dimension of Installation  
Standard: IEC/EN 60947-4-1



#### Wiring Diagram

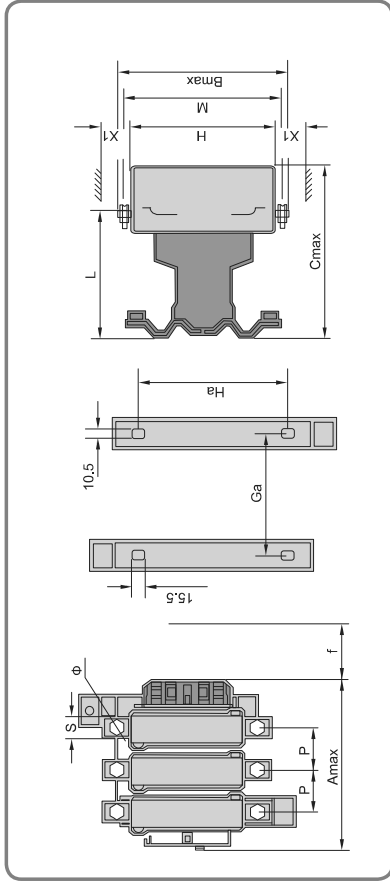


### HDC6 AC Contactor

Overall Dimension of Installation  
Standard: IEC/EN 60947-4-1



#### HDC6-630



Type	Amax	Bmax	Cmax	P	S	φ	f	M	H	L	X1 (200-550V)	X1 (600-1000V)	Ga	Ha
HDC6-630	309	304	256	80	40	M12	181	264	202	155	20	30	180	180-190

Note: 'f' reserves space to ensure that draw-out coil can be taken out easily