

HDB9P Phase-neutral Circuit Breaker

Standard: IEC/EN 60898-1
 Tripping Curve: C Curve
 Breaking Capacity: 4500A, 6000A



Function

HDB9P Phase-neutral Circuit Breaker combines the following functions:

- Protection of circuits against overload currents
- Protection against short-circuit currents
- Control
- Isolation

Final Distribution



Order Information

Type	Rating (A)	Breaking Capacity (kA)	Width (in mode.of 9mm)	Reference
				C Curve
1P+N 	6	4.5	2	HDB9Pa40C6
	10	4.5	2	HDB9Pa40C10
	16	4.5	2	HDB9Pa40C16
	20	4.5	2	HDB9Pa40C20
	25	4.5	2	HDB9Pa40C25
	32	4.5	2	HDB9Pa40C32
	40	4.5	2	HDB9Pa40C40
	6	6	2	HDB9PN40C6
	10	6	2	HDB9PN40C10
	16	6	2	HDB9PN40C16
	20	6	2	HDB9PN40C20
	25	6	2	HDB9PN40C25
	32	6	2	HDB9PN40C32
	40	6	2	HDB9PN40C40

Technical Data

MCB	HDB9P Phase-neutral Circuit Breaker					
Electrical Features	Standard	IEC/EN 60898-1				
	Certification	CB,CE,TUV				
	Poles	1P+N				
	Rated Current In(A)	6, 10, 16, 20, 25, 32, 40				
	Rated Voltage Ue	240V AC				
	Insulation Voltage Ui	500V				
	Breaking Capacity	4500A, 6000A				
	Tripping Curve (see following tripping curve picture)	C Curve: the magnetic release operates between 5 and 10 In				
Rated Current, A	6	10	16、 20	25	32	40
Cross-sectional area of conductor mm²	1	1.5	2.5	4	6	10

HDB9P Phase-neutral Circuit Breaker

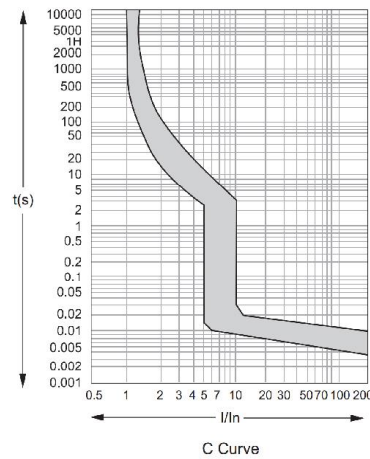
Standard: IEC/EN 60898-1
 Tripping Curve: C Curve
 Breaking Capacity: 4500A, 6000A



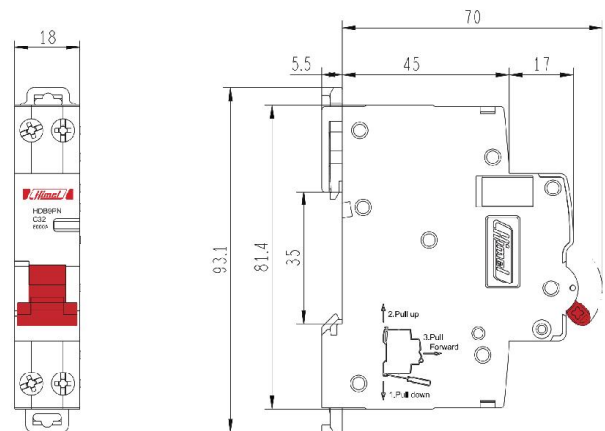
Final Distribution

Technical Data				
MCB	HDB9P Phase-neutral Circuit Breaker			
Electrical Features	Electrical Durability	10000 times		
	Mechanical Durability	20000 times		
	Protection Degree	IP20		
	Tropicalization	Treatment 2		
	Ambient Temperature	-25°C ~ +70°C		
Connection	6 - 40A, Up to 10mm ² cables			
Installation	Rate Current (A)	Screw	Rated Torque (Nm)	Limiting Torque (Nm)
	6 - 40	M4	2.0	3.0
Mounting	35mm Din-Rail			

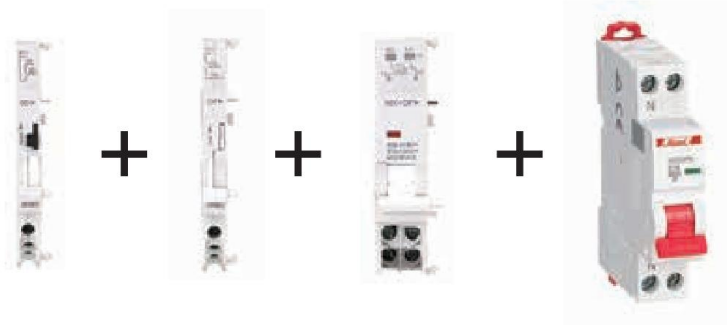
Tripping Curve



Overall Dimensions



Accessories

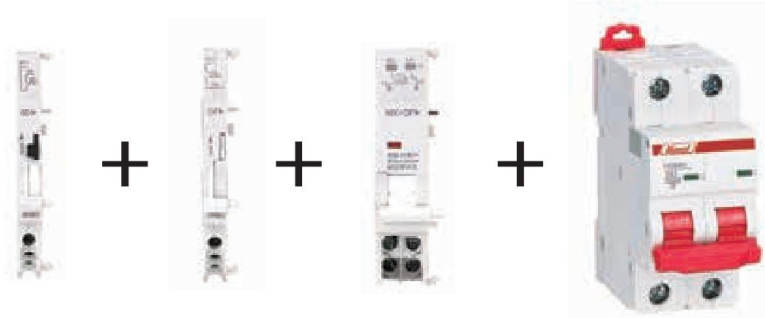


Accessories

HDB9, HDB9P, HDB9LE, HDB9PLE

Accessory

The sketch map of installation with breakers



Final Distribution

Remote Control Auxiliaries

■ OF contact auxiliary

- Indicate ON or OFF state of the breaker
- Basic type of auxiliary contact: 1NO+1NC

■ SD fault-indicating switch

- Sent out fault signal on the front when breaking down
- Indicator on the front to show fault trip
- Basic type of auxiliary contact: 1NO+1NC

Tripping Device

■ MX+OF shunt trip release

- Indicate ON or OFF state of the breaker
- Without tools ,directly installed on the left of MCB

Introductions

- Without tools ,direct installed on the left of MCB
- Each MCB maximum assembles 3 control auxiliaries(OF or SD)



Order Information

Type	Width(mm)	Voltage(V)	Reference
OF 	9		HDB963OF
SD 	9		HDB963SD
MX+OF 	18	AC/DC 12/24V	HDB963MX24
	18	AC/DC 48V	HDB963MX48
	18	AC 100-415V DC 110-130V	HDB963MX415