

Robert Bosch Power Tools GmbH
70538 Stuttgart
GERMANY

www.bosch-pt.com

1 609 92A 4E6 (2018.09) O / 70



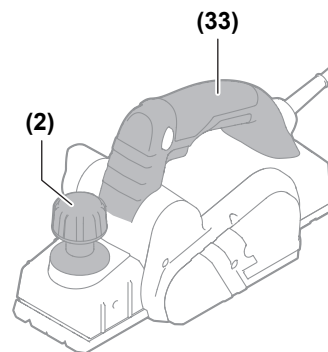
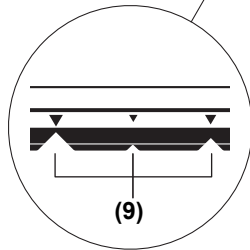
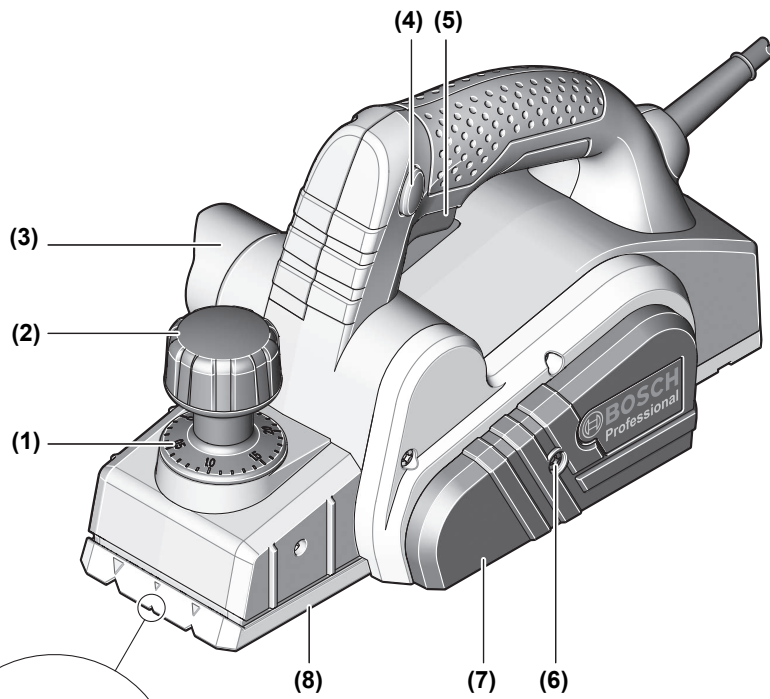
1 609 92A 4E6

GHO 6500 Professional

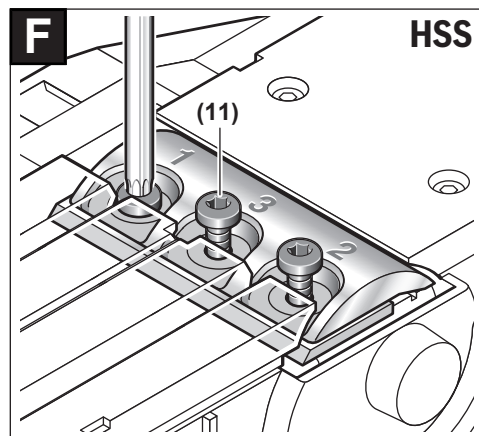
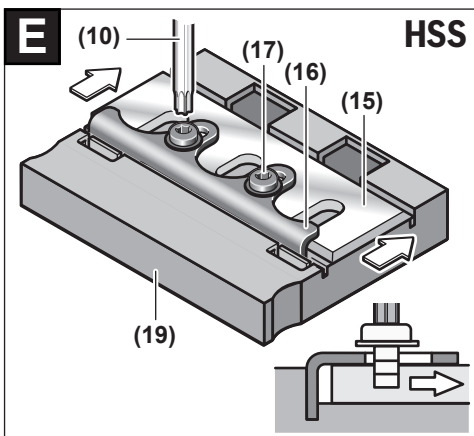
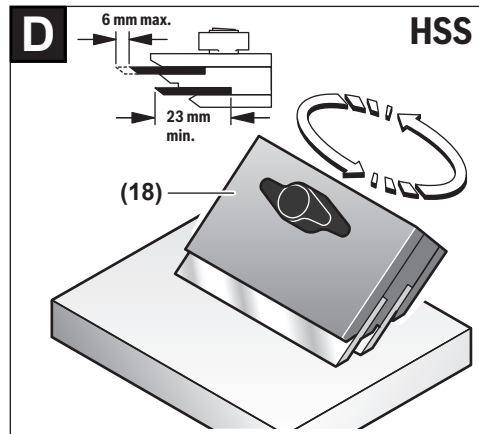
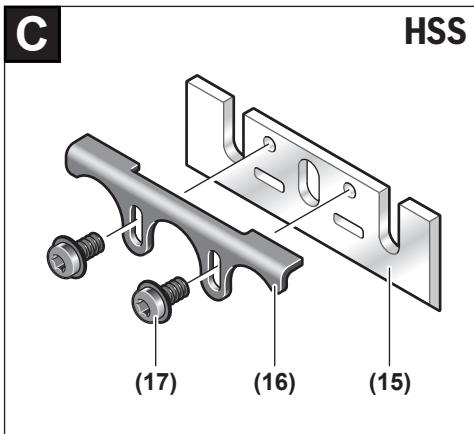
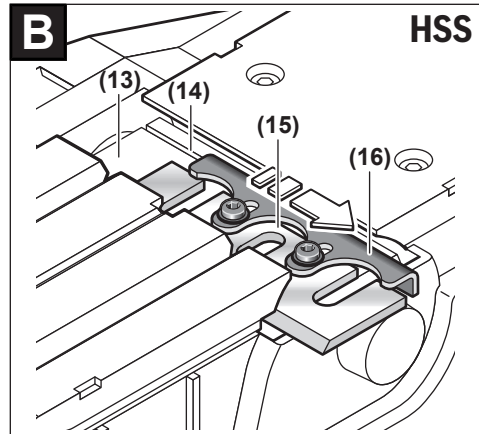
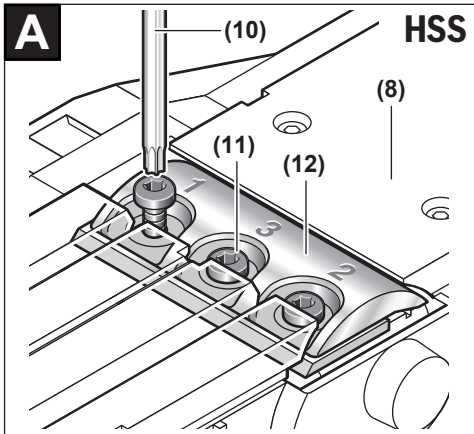
 **BOSCH**

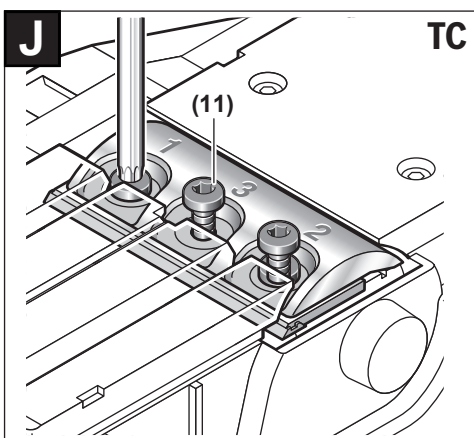
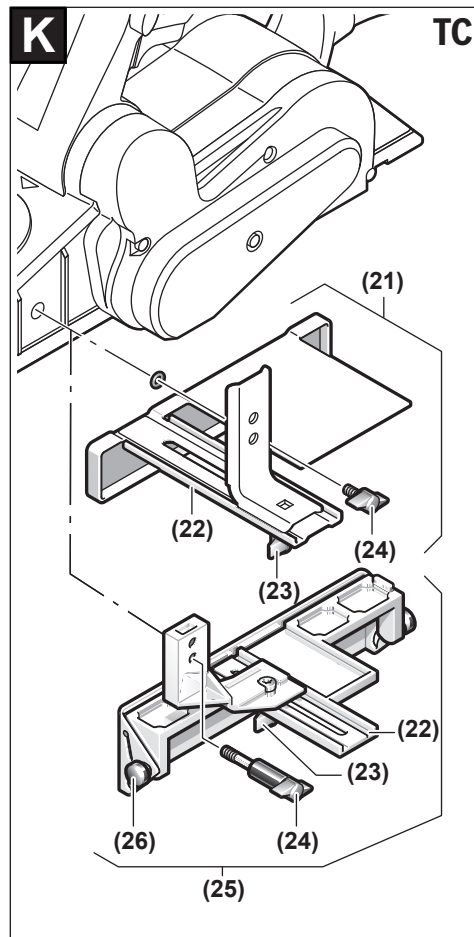
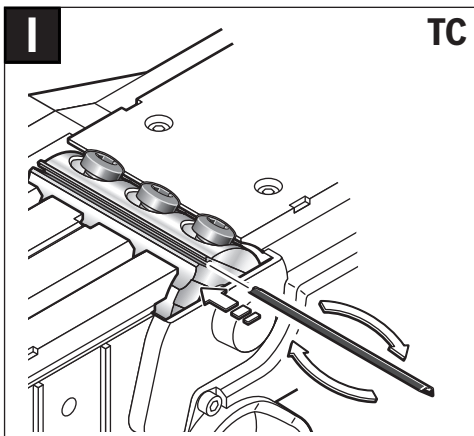
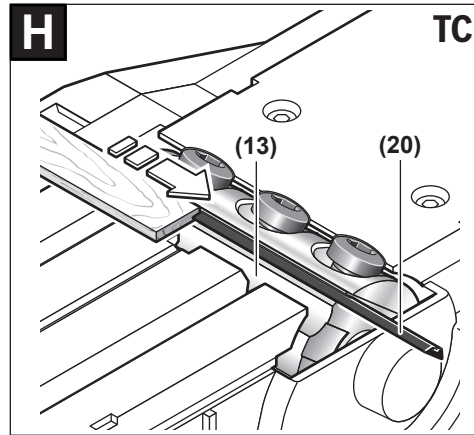
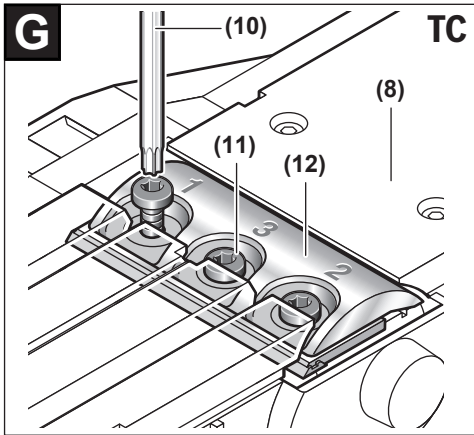
- en Original instructions
- fr Notice originale
- pt Manual original
- zh 正本使用说明书
- zh 原始使用說明書
- th หนังสือคู่มือการใช้งานฉบับต้นแบบ
- id Petunjuk-Petunjuk untuk Penggunaan Orisinal
- vi Bản gốc hướng dẫn sử dụng
- ar دليل التشغيل الأصلي
- fa دفترچه راهنمای اصلی

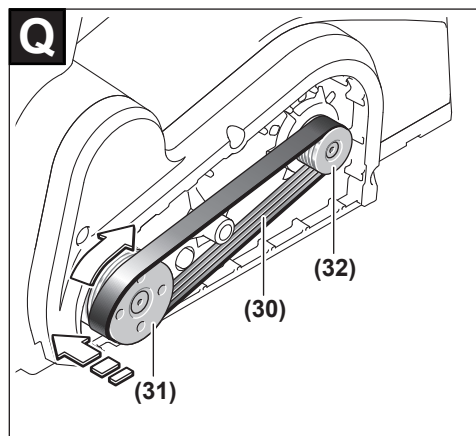
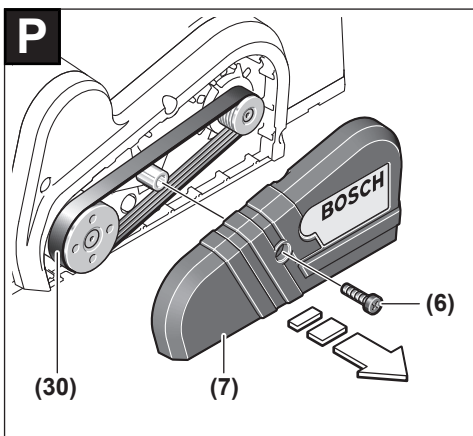
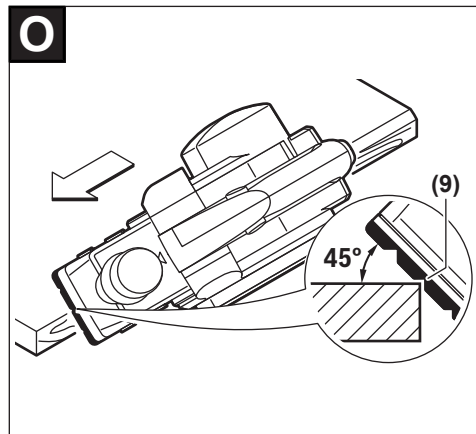
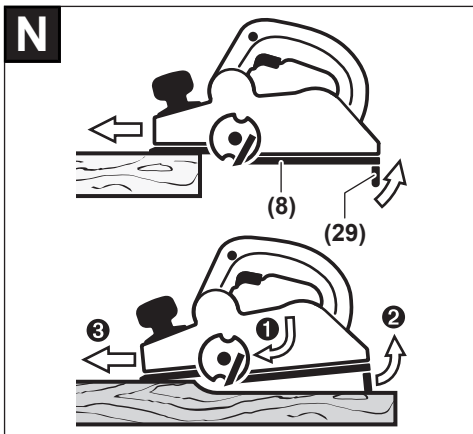
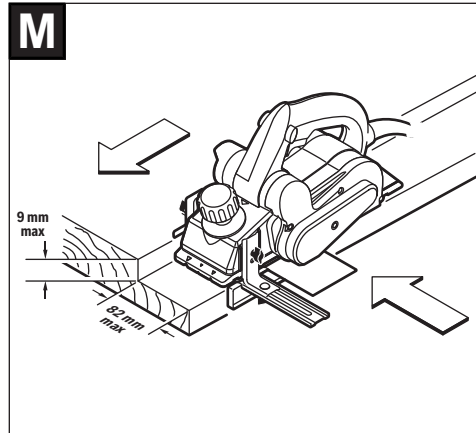
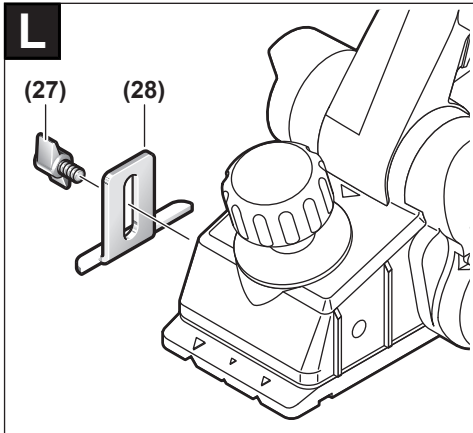
English	page	8
Français	Page	15
Português	Página	22
中文	页	28
繁體中文	頁	32
ไทย	หน้า	37
Bahasa Indonesia	Halaman	42
Tiếng Việt	Trang	48
عربي	الصفحة	55
آفارسی	صفحه	62

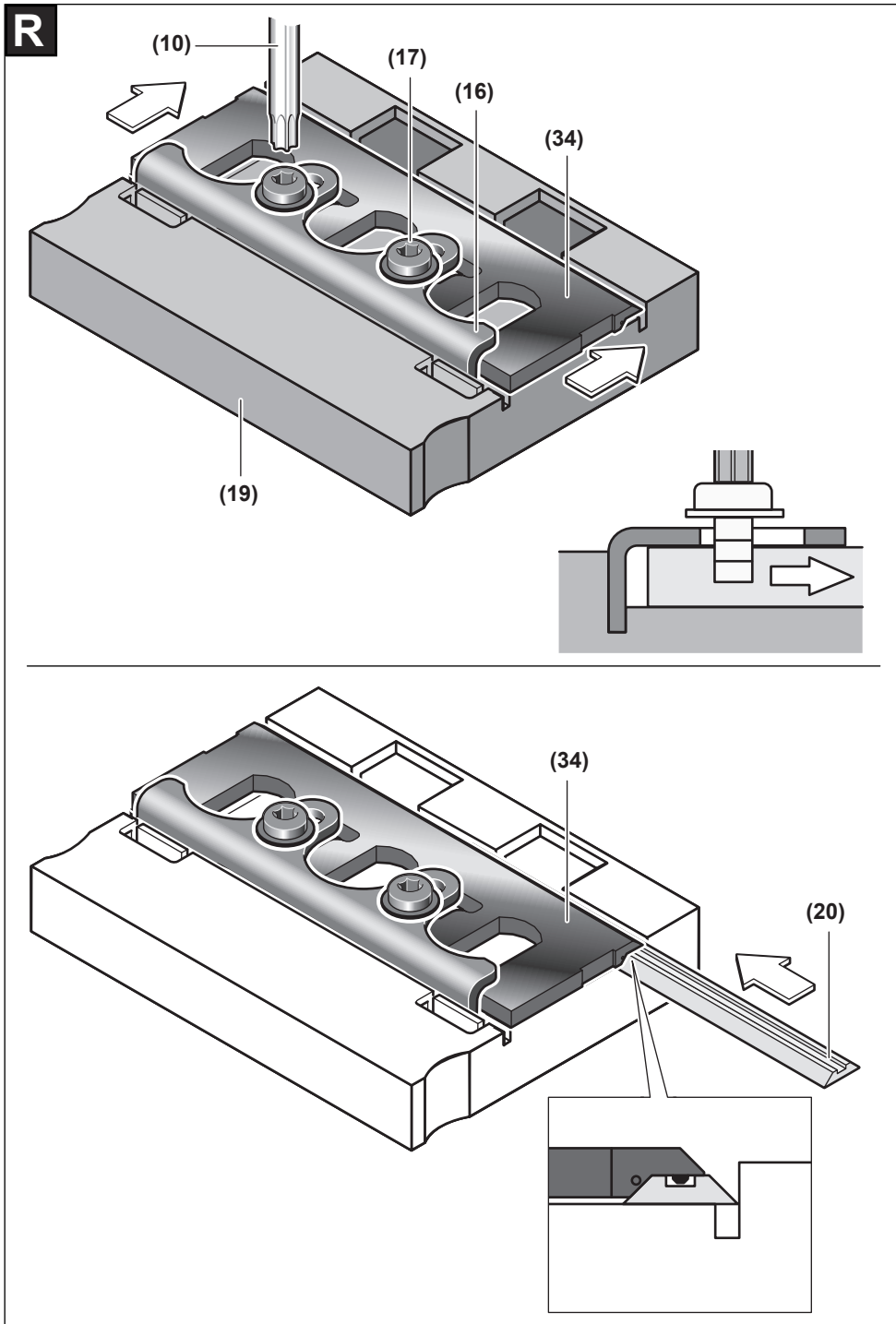


GHO 6500









English

Safety instructions

General Power Tool Safety Warnings

⚠ WARNING Read all safety warnings, instructions, illustrations and specifications provided with this power tool. Failure to follow all instructions listed below may result in electric shock, fire and/or serious injury.

Save all warnings and instructions for future reference.

The term "power tool" in the warnings refers to your mains-operated (corded) power tool or battery-operated (cordless) power tool.

Work area safety

- ▶ **Keep work area clean and well lit.** Cluttered or dark areas invite accidents.
- ▶ **Do not operate power tools in explosive atmospheres, such as in the presence of flammable liquids, gases or dust.** Power tools create sparks which may ignite the dust or fumes.
- ▶ **Keep children and bystanders away while operating a power tool.** Distractions can cause you to lose control.

Electrical safety

- ▶ **Power tool plugs must match the outlet. Never modify the plug in any way. Do not use any adapter plugs with earthed (grounded) power tools.** Unmodified plugs and matching outlets will reduce risk of electric shock.
- ▶ **Avoid body contact with earthed or grounded surfaces, such as pipes, radiators, ranges and refrigerators.** There is an increased risk of electric shock if your body is earthed or grounded.
- ▶ **Do not expose power tools to rain or wet conditions.** Water entering a power tool will increase the risk of electric shock.
- ▶ **Do not abuse the cord. Never use the cord for carrying, pulling or unplugging the power tool. Keep cord away from heat, oil, sharp edges or moving parts.** Damaged or entangled cords increase the risk of electric shock.
- ▶ **When operating a power tool outdoors, use an extension cord suitable for outdoor use.** Use of a cord suitable for outdoor use reduces the risk of electric shock.
- ▶ **If operating a power tool in a damp location is unavoidable, use a residual current device (RCD) protected supply.** Use of an RCD reduces the risk of electric shock.

Personal safety

- ▶ **Stay alert, watch what you are doing and use common sense when operating a power tool. Do not use a power tool while you are tired or under the influence of drugs, alcohol or medication.** A moment of inatten-

tion while operating power tools may result in serious personal injury.

- ▶ **Use personal protective equipment. Always wear eye protection.** Protective equipment such as a dust mask, non-skid safety shoes, hard hat or hearing protection used for appropriate conditions will reduce personal injuries.
- ▶ **Prevent unintentional starting. Ensure the switch is in the off-position before connecting to power source and/or battery pack, picking up or carrying the tool.** Carrying power tools with your finger on the switch or energising power tools that have the switch on invites accidents.
- ▶ **Remove any adjusting key or wrench before turning the power tool on.** A wrench or a key left attached to a rotating part of the power tool may result in personal injury.
- ▶ **Do not overreach. Keep proper footing and balance at all times.** This enables better control of the power tool in unexpected situations.
- ▶ **Dress properly. Do not wear loose clothing or jewellery. Keep your hair and clothing away from moving parts.** Loose clothes, jewellery or long hair can be caught in moving parts.
- ▶ **If devices are provided for the connection of dust extraction and collection facilities, ensure these are connected and properly used.** Use of dust collection can reduce dust-related hazards.
- ▶ **Do not let familiarity gained from frequent use of tools allow you to become complacent and ignore tool safety principles.** A careless action can cause severe injury within a fraction of a second.

Power tool use and care

- ▶ **Do not force the power tool. Use the correct power tool for your application.** The correct power tool will do the job better and safer at the rate for which it was designed.
- ▶ **Do not use the power tool if the switch does not turn it on and off.** Any power tool that cannot be controlled with the switch is dangerous and must be repaired.
- ▶ **Disconnect the plug from the power source and/or remove the battery pack, if detachable, from the power tool before making any adjustments, changing accessories, or storing power tools.** Such preventive safety measures reduce the risk of starting the power tool accidentally.
- ▶ **Store idle power tools out of the reach of children and do not allow persons unfamiliar with the power tool or these instructions to operate the power tool.** Power tools are dangerous in the hands of untrained users.
- ▶ **Maintain power tools and accessories. Check for misalignment or binding of moving parts, breakage of parts and any other condition that may affect the power tool's operation. If damaged, have the power tool repaired before use.** Many accidents are caused by poorly maintained power tools.

- ▶ **Keep cutting tools sharp and clean.** Properly maintained cutting tools with sharp cutting edges are less likely to bind and are easier to control.
- ▶ **Use the power tool, accessories and tool bits etc. in accordance with these instructions, taking into account the working conditions and the work to be performed.** Use of the power tool for operations different from those intended could result in a hazardous situation.
- ▶ **Keep handles and grasping surfaces dry, clean and free from oil and grease.** Slippery handles and grasping surfaces do not allow for safe handling and control of the tool in unexpected situations.

Service

- ▶ **Have your power tool serviced by a qualified repair person using only identical replacement parts.** This will ensure that the safety of the power tool is maintained.

Safety instructions for planers

- ▶ **Wait for the cutter to stop before setting the tool down.** An exposed rotating cutter may engage the surface leading to possible loss of control and serious injury.
- ▶ **Hold the power tool by insulated gripping surfaces, because the cutter may contact its own cord.** Cutting a "live" wire may make exposed metal parts of the power tool "live" and could give the operator an electric shock.
- ▶ **Use clamps or another practical way to secure and support the workpiece to a stable platform.** Holding the workpiece by your hand or against the body leaves it unstable and may lead to loss of control.
- ▶ **Only bring the power tool into contact with the workpiece when switched on.** Otherwise there is danger of kickback if the cutting tool jams in the workpiece.
- ▶ **Do not allow the chip ejector to come into contact with your hands.** You may be injured by rotating parts.
- ▶ **Never plane over metal objects, nails or screws.** Cutters and cutter shafts could become damaged and cause increased vibration.
- ▶ **Use suitable detectors to determine if utility lines are hidden in the work area or call the local utility company for assistance.** Contact with electric lines can lead to fire and electric shock. Damaging a gas line can lead to explosion. Penetrating a water line causes property damage or may cause an electric shock.
- ▶ **While working, always hold the planer in such a way that the planer base plate lies flat against the workpiece.** Otherwise the planer could slip and cause injury.

Products sold in GB only:

Your product is fitted with an BS 1363/A approved electric plug with internal fuse (ASTA approved to BS 1362). If the plug is not suitable for your socket outlets, it should be cut off and an appropriate plug fitted in its place by an authorised customer service agent. The replacement plug should have the same fuse rating as the original plug. The severed plug must be disposed of to avoid a possible shock hazard and should never be inserted into a mains socket elsewhere.

- ▶ **Hold the power tool firmly with both hands and make sure you have a stable footing.** The power tool can be more securely guided with both hands.

Product Description and Specifications



Read all the safety and general instructions.

Failure to observe the safety and general instructions may result in electric shock, fire and/or serious injury.

Please observe the illustrations at the beginning of this operating manual.

Intended use

The power tool is intended for planing wood-based materials such as beams and boards while resting firmly on the workpiece. It is also suitable for chamfering edges and for rebating.

Product features

The numbering of the product features refers to the diagram of the power tool on the graphics page.

- (1) Cutting depth scale
- (2) Knob for setting the cutting depth (insulated gripping surface)
- (3) Chip ejector
- (4) Lock-on button for on/off switch
- (5) On/off switch
- (6) Screw for belt cover
- (7) Belt cover
- (8) Planer base plate
- (9) V-grooves
- (10) Torx key
- (11) Fastening screw for clamping jaw
- (12) Clamping jaw
- (13) Blade head
- (14) Guide groove for planer blade
- (15) HSS planer blade
- (16) HSS planer blade retaining clip
- (17) Fastening screw for HSS planer blade retaining clip
- (18) Sharpening aid for HSS planer blades
- (19) Setting gauge for HSS planer blades
- (20) HM/TC planer blade^{A)}
- (21) Parallel guide
- (22) Scale for rebate width
- (23) Locking nut for rebate width setting
- (24) Fastening screw for parallel/angle guide
- (25) Angle guide^{A)}
- (26) Locking nut for angle setting^{A)}
- (27) Fastening screw for rebate depth guide^{A)}

- (28) Rebate depth guide^{A)}
- (29) Parking rest
- (30) Drive belt
- (31) Large belt wheel
- (32) Small belt wheel
- (33) Handle (insulated gripping surface)
- (34) Adapter for changing from HSS to TC planer blades^{A)}

A) **Accessories shown or described are not included with the product as standard. You can find the complete selection of accessories in our accessories range.**

Technical data

Planer	GHO 6500	
Article number	0 601 596 0..	
Rated power input	W	650
No-load speed	rpm	16,500
Cutting depth	mm	0–2.6
Rebate depth	mm	0–9
Max. planing width	mm	82
Weight according to EPTA Procedure 01:2014	kg	2.8
Protection class		□/II

The specifications apply to a rated voltage [U] of 230 V. These specifications may vary at different voltages and in country-specific models.

Fitting

- ▶ **Pull the plug out of the socket before carrying out any work on the power tool.**

Choosing the Planer Blade

The power tool can be fitted with different planer blades. Fitting the adapter (34) (accessory) allows the power tool to be changed from HSS planer blades (15) to HM/TC planer blades (20).

Always change both planer blades – replacing just one blade will create an imbalance that could cause vibrations and shorten the service life of the power tool.

Changing the HSS Planer Blades

- ▶ **Take care when changing the planer blade. Do not pick up the planer blade by the cutting edges.** You may be injured by the sharp cutting edges.

Removing the Planer Blades (see figures A–C)

- To replace the planer blades, turn the blade head (13) until the clamping jaw (12) is parallel with the planer base plate (8).
- Undo the three fastening screws (11) using the Torx key (10) and remove the clamping jaw (12).
- Push the retaining clip (16) together with the planer blade (15) out of the blade head (13) and/or the guide groove (14).

- Turn the blade head 180° and remove the second planer blade.

Note: Before changing or sharpening the planer blades, remove the retaining clip (16) by undoing the fastening screw (17).

Resharpener HSS Planer Blades (see figure D)

Worn or blunt **HSS** planer blades can be resharpened using the sharpening aid (18) (accessory) and a commercially available grinding stone.

Place both planer blades in the sharpening aid and clamp them firmly with the wing bolt. Make sure that both planer blades are pushed in fully.

Move the planer blades placed in the sharpening aid steadily across the grinding stone, applying light pressure.

Note: The planer blades must not be resharpened by more than 6 mm (i.e. to a minimum width of 23 mm). Both planer blades must be replaced when they reach this size.

Fitting the Planer Blades (see figures E–F)

Before putting the new or resharpened planer blades (back) in, clean the blade head (13) and, if necessary, the planer blade (15) and the retaining clip (16). If the planer blades are very gummy, clean them with ethanol or petroleum.

Note: New and resharpened planer blades must always be set to the correct height before fitting.

The setting gauge (19) is used to set the height of the planer blades. Place the planer blade (15) and the retaining clip (16) on the setting gauge. Make sure that the retaining clip (16) slots into the groove provided. Push the planer blade (15) against the guide and hold the retaining clip (16) in this position with the fastening screw (17). This will apply the correct height setting automatically.

The planer blade must be fitted and aligned with the **centre of the planer base plate (8)**. Then tighten the three fastening screws (11) using the Torx key (10), following the tightening sequence (① ② ③) specified on the clamping jaw (12).

Note: Check that the fastening screws (11) are firmly tightened before start-up. Turn the blade head (13) by hand and ensure that the planer blades are not brushing against anything.

Changing the HM/TC Planer Blades

- ▶ **Take care when changing the planer blade. Do not pick up the planer blade by the cutting edges.** You may be injured by the sharp cutting edges.

Use only original Bosch HM/TC planer blades.

Hard metal (HM/TC) planer blades have two cutting edges and can be turned. If both cutting edges become blunt, the planer blades (20) need to be changed. HM/TC planer blades must not be resharpened.

Removing the Planer Blades (see figures G–H)

- To turn or replace the planer blades, turn the blade head (13) until the clamping jaw (12) is parallel with the planer base plate (8).

- Undo the three fastening screws (11) using the Torx key (10) (approx. 1–2 turns). The clamping jaw (12) does not need to be removed.
- Turn the blade head slightly and use a piece of wood to push the planer blade (20) to the side and out of the blade head (13).
- Turn the blade head 180° and remove the second planer blade.

Fitting the Planer Blades (see figures I–J)

The guide groove on the planer blade ensures a constant, even height setting when changing or turning the blade. If necessary, clean the blade seat in the blade head (13) and the planer blade (20).

When fitting the planer blade, ensure that it is correctly seated in the mounting guide of the blade head (13).

The planer blade must be fitted and aligned with the **centre of the planer base plate (8)**. Then tighten the three fastening screws (11) using the Torx key (10), following the tightening sequence (① ② ③) specified on the clamping jaw (12).

Note: Check that the fastening screws (11) are firmly tightened before start-up. Turn the blade head (13) by hand and ensure that the planer blades are not brushing against anything.

Using the HM/TC Adapter

Changing from HSS to HM/TC

The HM/TC adapter enables a planer fitted with HSS planer blades to be changed over to HM/TC planer blades.

- Unscrew the three fastening screws (11) using the Torx key (10) and remove the clamping jaw (12).
- Push the retaining clip (16) together with the planer blade (15) out of the blade head (13) and/or the guide groove (14).
- Remove the screws (17).
- Place the retaining clip (16) and the adapter (34) in the setting gauge (19). The retaining clip (16) must slot into the groove on the setting gauge (see figure R).
- Push the HM/TC planer blade (20) into the adapter (34) from the side. The ridge on the adapter (34) must slot into the groove on the HM/TC planer blade (see figure R).
- Tighten the screws (17).
- Insert the retaining clip (16) together with the adapter (34) and the planer blade (15) into the blade head (13) and/or the guide groove (14).
- Put the clamping jaw (12) on and insert the fastening screws (11), which do not yet need to be screwed in tightly.
- The planer blade must be fitted and aligned with the **centre of the planer base plate (8)**. Then tighten the three fastening screws (11) using the Torx key (10), following the tightening sequence (① ② ③) specified on the clamping jaw (12).

Changing from HM/TC to HSS

Planers fitted with HM/TC planer blades can be changed over to HSS planer blades.

- Unscrew the three fastening screws (11) using the Torx key (10) and remove the clamping jaw (12).
- Push the retaining clip (16) together with the planer blade (15) and/or the HM/TC adapter (34) out of the blade head (13).
- Remove the screws (17).
- Fit the assembled HSS planer blade (see "Fitting the Planer Blades (see figures E–F)", page 10) and align it with the **centre of the planer base plate (8)**.
- Put the clamping jaw (12) on and tighten the three fastening screws (11) using the Torx key (10), following the tightening sequence (① ② ③) specified on the clamping jaw (12).

Dust/chip extraction

The dust from materials such as lead paint, some types of wood, minerals and metal can be harmful to human health. Touching or breathing in this dust can trigger allergic reactions and/or cause respiratory illnesses in the user or in people in the near vicinity.

Certain dusts, such as oak or beech dust, are classified as carcinogenic, especially in conjunction with wood treatment additives (chromate, wood preservative). Materials containing asbestos may only be machined by specialists.

- Use a dust extraction system that is suitable for the material wherever possible.
- Provide good ventilation at the workplace.
- It is advisable to wear a P2 filter class breathing mask.

The regulations on the material being machined that apply in the country of use must be observed.

► **Avoid dust accumulation at the workplace.** Dust can easily ignite.

Clean the chip ejector (3) regularly. Clean a clogged chip ejector using a suitable tool, e.g. a piece of wood, compressed air, etc.

► **Do not allow the chip ejector to come into contact with your hands.** You may be injured by rotating parts.

Always use an external dust extraction device or chip/dust bag to guarantee optimum suction.

Operation

Operating modes

Setting the Cutting Depth

Using the knob (2), the cutting depth can be continuously adjusted between 0–2.6 mm with the aid of the cutting depth scale (1) (scale division = 0.1 mm).

Parking Rest (see figure N)

The parking rest (29) makes it possible to put down the power tool directly after working, without any danger of damaging the workpiece or the planer blades. During the

work process, the parking rest (29) is raised and the rear section of the planer base plate (8) is uncovered.

Start-up

- ▶ **Pay attention to the mains voltage. The voltage of the power source must match the voltage specified on the rating plate of the power tool. Power tools marked with 230 V can also be operated with 220 V.**
- ▶ **Products that are only sold in AUS and NZ:** Use a residual current device (RCD) with a nominal residual current of 30 mA or less.

Switching on/off

- ▶ **Make sure that you are able to press the On/Off switch without releasing the handle.**

To start the power tool, press and hold the on/off switch (5).

Press the lock-on button (4) to lock the on/off switch (5) in this position.

To switch off the power tool, release the on/off switch (5); or, if the switch is locked with the lock-on button (4), briefly press the on/off switch (5) and then release it.

Practical advice

- ▶ **Pull the plug out of the socket before carrying out any work on the power tool.**

Planing Procedure (see figure N)

Set the required cutting depth and position the power tool with the front section of the planer base plate (8) on the workpiece.

- ▶ **Only bring the power tool into contact with the workpiece when switched on.** Otherwise there is danger of kickback if the cutting tool jams in the workpiece.

Switch on the power tool and guide it over the surface of the workpiece, applying uniform feed.

To achieve high-quality surfaces, apply only a low feed rate and exert pressure on the middle of the planer base plate.

For the processing of hard materials, such as hardwood, and also when utilising the maximum planing width, set only a low cutting depth and reduce the planer feed as appropriate. Excessive feed reduces the quality of the surface finish and can lead to the chip ejector quickly becoming blocked.

Only sharp planer blades achieve good cutting performance and make the power tool last longer.

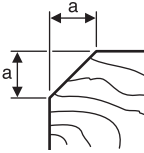
The integrated parking rest (29) also enables a continuation of the planing procedure following interruption at any point on the workpiece:

- Place the power tool – with parking rest folded down – onto the area of the workpiece that you will continue to work on.
- Switch the power tool on.
- Shift the contact pressure onto the front of the planer base plate and slowly slide the power tool forward (➊). In doing so, the parking rest will swivel upwards and out of the way (➋), meaning that the rear section of the planer base plate is in contact with the workpiece again.

- Guide the power tool over the surface of the workpiece, applying uniform feed (➌).

Chamfering Edges (see figure O)

The V-grooves in the front of the planer base plate enable quick and easy chamfering of workpiece edges. Select the V-groove that corresponds to your chamfering width. Then position the planer with the V-groove onto the edge of the workpiece and guide it along.

	Groove used	Dimension a (mm)
	None	0–4
	Small	2–6
	Medium	4–9
	Large	6–10

Planing with the Parallel/Angle Guide (see figures K–M)

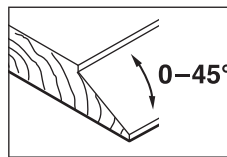
Attach the parallel guide (21) or the angle guide (25) to the power tool with the fastening screw (24). Depending on the application, attach the rebate depth guide (28) to the power tool with the fastening screw (27).

Loosen the locking nut (23) and set the desired rebate width on the scale (22). Retighten the locking nut (23).

Set the desired rebate depth accordingly using the rebate depth guide (28).

Carry out the planing procedure several times until the desired rebate depth has been achieved. Guide the planer with sideways contact pressure.

Chamfering with angle guide



Use the angle setting (26) to set the necessary helix angle when chamfering grooves and surfaces.

Maintenance and Servicing

Maintenance and cleaning

- ▶ **Pull the plug out of the socket before carrying out any work on the power tool.**
- ▶ **To ensure safe and efficient operation, always keep the power tool and the ventilation slots clean.**

Keep the parking rest (29) clear and clean it regularly.

When the carbon brushes are worn out, the power tool switches itself off. The power tool must be sent to the after-sales service for maintenance; see the "After-sales service and advice on using products" section for addresses.

In order to avoid safety hazards, if the power supply cord needs to be replaced, this must be done by Bosch or by a customer service centre that is authorised to repair Bosch power tools.

Changing the Drive Belt (see figures P–Q)

Unscrew the screw **(6)** completely and take off the belt cover **(7)**. Remove the worn drive belt **(30)**.

Before fitting a new drive belt **(30)**, clean the two belt wheels **(31)** and **(32)**.

First place the new drive belt **(30)** onto the small drive wheel **(32)**, and then press the drive belt **(30)** onto the large drive belt **(31)**, turning it by hand.

Make sure that the drive belt **(30)** runs exactly in the lengthways grooves in the drive wheels **(31)** and **(32)**.

Put the belt cover **(7)** on and tighten the screw **(6)**.

After-sales Service and Advice on Using Products

Our after-sales service can answer questions concerning product maintenance and repair, as well as spare parts. You can find exploded drawings and information on spare parts at: www.bosch-pt.com

The Bosch product use advice team will be happy to help you with any questions about our products and their accessories.

www.powertool-portal.de, the internet portal for tradespeople and DIY enthusiasts.

In all correspondence and spare parts orders, please always include the 10-digit article number given on the type plate of the product.

Cambodia

Robert Bosch (Cambodia) Co., Ltd
Unit 8BC, GT Tower, 08th Floor, Street 169,
Czechoslovakia Blvd, Sangkat Veal Vong
Khan 7 Makara, Phnom Penh
VAT TIN: 100 169 511
Tel.: +855 23 900 685
Tel.: +855 23 900 660
www.bosch.com.kh

People's Republic of China**China Mainland**

Bosch Power Tool (China) Co. Ltd.
Bosch Service Center
567, Bin Kang Road
Bin Kang District
Hangzhou, Zhejiang Province
China 310052
Tel.: (0571) 8887 5566 / 5588
Fax: (0571) 8887 6688 x 5566# / 5588#
E-mail: bsc.hz@cn.bosch.com
www.bosch-pt.com.cn

HK and Macau Special Administrative Regions

Robert Bosch Co. Ltd.
21st Floor, 625 King's Road
North Point, Hong Kong
Customer Service Hotline: +852 2101 0235
Fax: +852 2590 9762
E-mail: info@hk.bosch.com
www.bosch-pt.com.hk

India

Bosch Service Center
69, Habibullah Road, (next to PSBB School), T. Nagar
Chennai-600077

Phone: (044) 64561816

Bosch Service Center Rishyamook
85A, Panchkuin Road
New Delhi-110001

Phone: (011) 43166190

Bosch Service Center 79,
Crystal Bldg., Dr. Annie Besant Road, Worli
Mumbai-400018

Phone: (022) 39569936 / (022) 39569959 /
(022) 39569967 / (022) 24952071

Indonesia

PT Robert Bosch
Palma Tower 10th Floor
Jalan RA Kartini II-S Kaveling 6
Pondok Pinang, Kebayoran Lama
Jakarta Selatan 12310

Tel.: (21) 3005-5800
www.bosch-pt.co.id

Malaysia

Robert Bosch Sdn. Bhd. (220975-V) PT/SMY
No. 8A, Jalan 13/6

46200 Petaling Jaya
Selangor

Tel.: (03) 79663194

Toll-Free: 1800 880188

Fax: (03) 79583838

E-mail: kiathoe.chong@my.bosch.com

www.bosch-pt.com.my

Pakistan

Robert Bosch Middle East FZE – Pakistan Liaison Office
2nd Floor Plaza # 10, CCA Block, DHA Phase 5

Lahore, 54810

Phone: +92(303)4444311

E-mail: Faisal.Khan@bosch.com

Philippines

Robert Bosch, Inc.
28th Floor Fort Legend Towers,
3rd Avenue corner 31st Street,
Fort Bonifacio, Global City,
1634 Taguig City

Tel.: (632) 8703871

Fax: (632) 8703870

www.bosch-pt.com.ph

Singapore

Powerwell Service Centre Ptd Ltd
Bosch Authorised Service Centre (Power Tools)

4012 Ang Mo Kio Ave 10, #01-02 TECHplace

Singapore 569628

Tel.: 6452 1770

Fax: 6452 1760

E-mail: ask@powerwellsc.com

www.powerwellsc.com

www.bosch-pt.com.sg

Thailand

Robert Bosch Ltd.
 Liberty Square Building
 No. 287, 11 Floor
 Silom Road, Bangrak
 Bangkok 10500
 Tel.: 02 6393111
 Fax: 02 2384783
 Robert Bosch Ltd., P. O. Box 2054
 Bangkok 10501
 www.bosch.co.th

Bosch Service – Training Centre
 La Salle Tower Ground Floor Unit No.2
 10/11 La Salle Moo 16
 Srinakharin Road
 Bangkaew, Bang Plee
 Samutprakarn 10540
 Tel.: 02 7587555
 Fax: 02 7587525

Vietnam

Branch of Bosch Vietnam Co., Ltd in HCMC
 14th floor, Deutsches Haus, 33 Le Duan
 Ben Nghe Ward, District 1, Ho Chi Minh City
 Tel.: (028) 6258 3690
 Fax: (028) 6258 3692 - 6258 3694
 Hotline: (028) 6250 8555
 E-mail: tuvankhachhang-pt@vn.bosch.com
www.bosch-pt.com.vn

Armenia, Azerbaijan, Georgia, Kyrgyzstan, Mongolia, Tajikistan, Turkmenistan, Uzbekistan

TOO "Robert Bosch" Power Tools, After Sales Service
 Rayimbek Ave., 169/1
 050050, Almaty, Kazakhstan
 Service e-mail: service.pt.ka@bosch.com
 Official website: www.bosch.com, www.bosch-pt.com

Bahrain

Hatem Al Juffali Technical Equipment Establishment.
 Kingdom of Bahrain, Setra Highway, Al Aker Area
 Phone: +966126971777-311
 Fax: +97317704257
 E-mail: h.berjas@ejab.com.sa

Egypt

Unimar
 20 Markaz kadmat
 El tagmoa EL Aoul – New Cairo
 Phone: +20 2224 76091-95
 Phone: +20 2224 78072-73
 Fax: +20222478075
 E-mail: adelzaki@unimaregypt.com

Iran

Robert Bosch Iran
 3rd Floor, No 3, Maadiran Building
 Aftab St., Khodami St., Vanak Sq.
 Tehran 1994834571
 Phone: +9821 86092057

Iraq

Sahba Technology Group
 Al Muthana airport road

Baghdad
 Phone: +9647901906953
 Phone Dubai: +97143973851
 E-mail: bosch@sahbatechnology.com

Jordan

Roots Arabia – Jordan
 Nasser Bin Jameel street, Building 37 Al Rabiah
 11194 Amman
 Phone: +962 6 5545778
 E-mail: bosch@rootsjordan.com

Kuwait

Al Qurain Automotive Trading Company
 Shuwaikh Industrial Area, Block 1, Plot 16, Street 3rd
 P.O. Box 164 – Safat 13002
 Phone: 24810844
 Fax: 24810879
 E-mail: josephkr@aaalmutawa.com

Lebanon

Tehini Hana & Co. S.A.R.L.
 P.O. Box 90-449
 Jdeideh
 Dora-Beirut
 Phone: +9611255211
 E-mail: service-pt@tehini-hana.com

Libya

El Naser for Workshop Tools
 Swanee Road, Alfalah Area
 Tripoli
 Phone: +218 21 4811184

Oman

Malatan Trading & Contracting LLC
 P.O. Box 131
 Ruwi, 112 Sultanate of Oman
 Phone: +968 99886794
 E-mail: malatanpowertools@malatan.net

Qatar

International Construction Solutions W L L
 P. O. Box 51,
 Doha Phone: +974 40065458
 Fax: +974 4453 8585
 E-mail: csd@icsdoha.com

Saudi Arabia

Juffali Technical Equipment Co. (JTECO)
 Kilo 14, Madinah Road, Al Bawadi District
 Jeddah 21431
 Phone: +966 2 6672222 Ext. 1528
 Fax: +966 2 6676308
 E-mail: roland@ejab.com.sa

Syria

Dallal Establishment for Power Tools
 P.O. Box 1030
 Aleppo
 Phone: +963212116083
 E-mail: rita.dallal@hotmail.com

United Arab Emirates

Central Motors & Equipment LLC, P.O. Box 1984
Al-Wahda Street – Old Sana Building
Sharjah
Phone: +971 6 593 2777
Fax: +971 6 533 2269
E-mail: powertools@centralmotors.ae

Yemen

Abualrejal Trading Corporation
Sana'a Zubieriy St. Front to new Parliament Building
Phone: +967-1-202010
Fax: +967-1-279029
E-mail: tech-tools@abualrejal.com

Ethiopia

Forever plc
Kebele 2,754, BP 4806,
Addis Ababa
Phone: +251 111 560 600
E-mail: foreverplc@ethionet.et

Ghana

C.WOERMANN LTD.
Nsawam Road/Avenor Junction, P.O. Box 1779
Accra Phone: +233 302 225 141

Kenya

Robert Bosch East Africa Ltd
Mpaka Road P.O. Box 856
00606 Nairobi

Nigeria

Robert Bosch Nigeria Ltd.
52–54 Isaac John Street P.O. Box
GRA Ikeja – Lagos

Republic of South Africa

Customer service

Hotline: (011) 6519600

Gauteng – BSC Service Centre

35 Roper Street, New Centre
Johannesburg
Tel.: (011) 4939375
Fax: (011) 4930126
E-mail: bsctools@icon.co.za

KZN – BSC Service Centre

Unit E, Almar Centre
143 Crompton Street
Pinetown
Tel.: (031) 7012120
Fax: (031) 7012446
E-mail: bsc.dur@za.bosch.com

Western Cape – BSC Service Centre

Democracy Way, Prosperity Park
Milnerton
Tel.: (021) 5512577
Fax: (021) 5513223
E-mail: bsc@zsd.co.za

Bosch Headquarters

Midrand, Gauteng
Tel.: (011) 6519600
Fax: (011) 6519880
E-mail: rbsa-hq.pts@za.bosch.com

Tanzania

Diesel & Autoelectric Service Ltd.
117 Nyerere Rd., P.O. Box 70839
Vingunguti 12109, Dar Es Salaam
Phone: +255 222 861 793/794

Australia, New Zealand and Pacific Islands

Robert Bosch Australia Pty. Ltd.
Power Tools
Locked Bag 66
Clayton South VIC 3169
Customer Contact Center
Inside Australia:
Phone: (01300) 307044
Fax: (01300) 307045
Inside New Zealand:
Phone: (0800) 543353
Fax: (0800) 428570
Outside AU and NZ:
Phone: +61 3 95415555
www.bosch-pt.com.au
www.bosch-pt.co.nz

Disposal

The power tool, accessories and packaging should be recycled in an environmentally friendly manner.



Do not dispose of power tools along with household waste.

Français

Consignes de sécurité

Avertissements de sécurité généraux pour l'outil électrique

AVERTISSEMENT

Lire tous les avertissements de sécurité, les instructions, les illustrations et les spécifications fournis

avec cet outil électrique. Ne pas suivre les instructions énumérées ci-dessous peut provoquer un choc électrique, un incendie et/ou une blessure sérieuse.

Conservé tous les avertissements et toutes les instructions pour pouvoir s'y reporter ultérieurement.

Le terme "outil électrique" dans les avertissements fait référence à votre outil électrique alimenté par le secteur (avec cordon d'alimentation) ou votre outil électrique fonctionnant sur batterie (sans cordon d'alimentation).

Sécurité de la zone de travail

- ▶ **Conserver la zone de travail propre et bien éclairée.** Les zones en désordre ou sombres sont propices aux accidents.
- ▶ **Ne pas faire fonctionner les outils électriques en atmosphère explosive, par exemple en présence de liquides inflammables, de gaz ou de poussières.** Les outils électriques produisent des étincelles qui peuvent enflammer les poussières ou les fumées.
- ▶ **Maintenir les enfants et les personnes présentes à l'écart pendant l'utilisation de l'outil électrique.** Les distractions peuvent vous faire perdre le contrôle de l'outil.

Sécurité électrique

- ▶ **Il faut que les fiches de l'outil électrique soient adaptées au socle. Ne jamais modifier la fiche de quelque façon que ce soit. Ne pas utiliser d'adaptateurs avec des outils électriques à branchement de terre.** Des fiches non modifiées et des socles adaptés réduisent le risque de choc électrique.
- ▶ **Éviter tout contact du corps avec des surfaces reliées à la terre telles que les tuyaux, les radiateurs, les cuisinières et les réfrigérateurs.** Il existe un risque accru de choc électrique si votre corps est relié à la terre.
- ▶ **Ne pas exposer les outils électriques à la pluie ou à des conditions humides.** La pénétration d'eau à l'intérieur d'un outil électrique augmente le risque de choc électrique.
- ▶ **Ne pas maltraiter le cordon. Ne jamais utiliser le cordon pour porter, tirer ou débrancher l'outil électrique. Maintenir le cordon à l'écart de la chaleur, du lubrifiant, des arêtes vives ou des parties en mouvement.** Des cordons endommagés ou emmêlés augmentent le risque de choc électrique.
- ▶ **Lorsqu'on utilise un outil électrique à l'extérieur, utiliser un prolongateur adapté à l'utilisation extérieure.** L'utilisation d'un cordon adapté à l'utilisation extérieure réduit le risque de choc électrique.
- ▶ **Si l'usage d'un outil électrique dans un emplacement humide est inévitable, utiliser une alimentation protégée par un dispositif à courant différentiel résiduel (RCD).** L'usage d'un RCD réduit le risque de choc électrique.

Sécurité des personnes

- ▶ **Rester vigilant, regarder ce que vous êtes en train de faire et faire preuve de bon sens dans votre utilisation de l'outil électrique. Ne pas utiliser un outil électrique lorsque vous êtes fatigué ou sous l'emprise de drogues, de l'alcool ou de médicaments.** Un moment d'inattention en cours d'utilisation d'un outil électrique peut entraîner des blessures graves.
- ▶ **Utiliser un équipement de protection individuelle. Toujours porter une protection pour les yeux.** Les équipements de protection individuelle tels que les masques contre les poussières, les chaussures de sécurité antidérapantes, les casques ou les protections audi-

tives utilisés pour les conditions appropriées réduisent les blessures.

- ▶ **Éviter tout démarrage intempestif. S'assurer que l'interrupteur est en position arrêt avant de brancher l'outil au secteur et/ou au bloc de batteries, de le ramasser ou de le porter.** Porter les outils électriques en ayant le doigt sur l'interrupteur ou brancher des outils électriques dont l'interrupteur est en position marche est source d'accidents.
- ▶ **Retirer toute clé de réglage avant de mettre l'outil électrique en marche.** Une clé laissée fixée sur une partie tournante de l'outil électrique peut donner lieu à des blessures.
- ▶ **Ne pas se précipiter. Garder une position et un équilibre adaptés à tout moment.** Cela permet un meilleur contrôle de l'outil électrique dans des situations inattendues.
- ▶ **S'habiller de manière adaptée. Ne pas porter de vêtements amples ou de bijoux. Garder les cheveux et les vêtements à distance des parties en mouvement.** Des vêtements amples, des bijoux ou les cheveux longs peuvent être pris dans des parties en mouvement.
- ▶ **Si des dispositifs sont fournis pour le raccordement d'équipements pour l'extraction et la récupération des poussières, s'assurer qu'ils sont connectés et correctement utilisés.** Utiliser des collecteurs de poussière peut réduire les risques dus aux poussières.
- ▶ **Rester vigilant et ne pas négliger les principes de sécurité de l'outil sous prétexte que vous avez l'habitude de l'utiliser.** Une fraction de seconde d'inattention peut provoquer une blessure grave.

Utilisation et entretien de l'outil électrique

- ▶ **Ne pas forcer l'outil électrique. Utiliser l'outil électrique adapté à votre application.** L'outil électrique adapté réalise mieux le travail et de manière plus sûre au régime pour lequel il a été construit.
- ▶ **Ne pas utiliser l'outil électrique si l'interrupteur ne permet pas de passer de l'état de marche à arrêt et inversement.** Tout outil électrique qui ne peut pas être commandé par l'interrupteur est dangereux et il faut le réparer.
- ▶ **Débrancher la fiche de la source d'alimentation et/ou enlever le bloc de batteries, s'il est amovible, avant tout réglage, changement d'accessoires ou avant de ranger l'outil électrique.** De telles mesures de sécurité préventives réduisent le risque de démarrage accidentel de l'outil électrique.
- ▶ **Conserver les outils électriques à l'arrêt hors de la portée des enfants et ne pas permettre à des personnes ne connaissant pas l'outil électrique ou les présentes instructions de le faire fonctionner.** Les outils électriques sont dangereux entre les mains d'utilisateurs novices.
- ▶ **Observer la maintenance des outils électriques et des accessoires. Vérifier qu'il n'y a pas de mauvais alignement ou de blocage des parties mobiles, des pièces**

cassées ou toute autre condition pouvant affecter le fonctionnement de l'outil électrique. En cas de dommages, faire réparer l'outil électrique avant de l'utiliser. De nombreux accidents sont dus à des outils électriques mal entretenus.

- ▶ **Garder affûtés et propres les outils permettant de couper.** Des outils destinés à couper correctement entretenus avec des pièces coupantes tranchantes sont moins susceptibles de bloquer et sont plus faciles à contrôler.
- ▶ **Utiliser l'outil électrique, les accessoires et les lames etc., conformément à ces instructions, en tenant compte des conditions de travail et du travail à réaliser.** L'utilisation de l'outil électrique pour des opérations différentes de celles prévues peut donner lieu à des situations dangereuses.
- ▶ **Il faut que les poignées et les surfaces de préhension restent sèches, propres et dépourvues d'huiles et de graisses.** Des poignées et des surfaces de préhension glissantes rendent impossibles la manipulation et le contrôle en toute sécurité de l'outil dans les situations inattendues.

Maintenance et entretien

- ▶ **Faire entretenir l'outil électrique par un réparateur qualifié utilisant uniquement des pièces de rechange identiques.** Cela assure le maintien de la sécurité de l'outil électrique.

Avertissements de sécurité pour les rabots

- ▶ **Attendre que l'élément de coupe s'arrête avant de déposer l'outil.** Un élément de coupe en rotation peut entamer la surface et provoquer une perte de contrôle pouvant entraîner des blessures graves.
- ▶ **Maintenir l'outil électrique par les surfaces de préhension isolées, l'élément de coupe pouvant entrer en contact avec son propre cordon.** La découpe d'un fil "sous tension" peut "activer" les parties métalliques exposées de l'outil électrique et délivrer un choc électrique à l'opérateur.
- ▶ **Utiliser des colliers de serrage ou un autre moyen pratique de sécurisation et de soutien de la pièce à usiner sur une plateforme stable.** Le maintien de la pièce à usiner dans les mains ou contre le corps la rend instable et peut entraîner une perte de contrôle.
- ▶ **N'approchez l'outil électroportatif de la pièce à scier qu'après l'avoir mis en marche.** Il y a sinon risque de rebond au cas où la lame resterait coincée dans la pièce.
- ▶ **Ne mettez jamais la main dans l'éjecteur de copeaux.** Vous risqueriez d'être blessé par des pièces en rotation.
- ▶ **Ne rabotez jamais des pièces métalliques, des clous ou des vis.** Le fer et le cylindre porte-fer peuvent être endommagés et causer des vibrations anormalement élevées.
- ▶ **Utilisez un détecteur approprié pour vérifier s'il n'y a pas de conduites cachées ou contactez votre société de distribution d'eau locale.** Tout contact avec des

câbles électriques peut provoquer un incendie ou un choc électrique. Tout endommagement d'une conduite de gaz peut provoquer une explosion. La perforation d'une conduite d'eau provoque des dégâts matériels et peut provoquer un choc électrique.

- ▶ **Lors de l'utilisation du rabot, tenez-le de sorte que le patin repose à plat sur la pièce à raboter.** Le rabot risque sinon de coincer, ce qui peut causer des blessures.
- ▶ **Lors du travail, tenez fermement l'outil électroportatif des deux mains et veillez à toujours garder une position de travail stable.** Avec les deux mains, l'outil électroportatif est guidé en toute sécurité.

Description des prestations et du produit



Lisez attentivement toutes les instructions et consignes de sécurité. Le non-respect des instructions et consignes de sécurité peut provoquer un choc électrique, un incendie et/ou entraîner de graves blessures.

Référez-vous aux illustrations qui se trouvent à l'avant de la notice d'utilisation.

Utilisation conforme

Équipé d'un support stable, l'outil électroportatif est conçu pour des travaux de rabotage sur des pièces en bois, par ex. des poutres et des planches. Il permet aussi de chanfreiner des bords et de réaliser des feuillures.

Éléments constitutifs

La numérotation des éléments de l'appareil se réfère à la représentation de l'outil électroportatif sur la page graphique.

- (1) Échelle graduée de profondeur de passe
- (2) Bouton de réglage de la profondeur de passe (surface de préhension isolante)
- (3) Éjecteur de copeaux
- (4) Bouton de blocage de l'interrupteur marche/arrêt
- (5) Interrupteur marche/arrêt
- (6) Vis de couvre-courroie
- (7) Couvre-courroie
- (8) Semelle de rabot
- (9) Rainures en V
- (10) Tournevis Torx
- (11) Vis de fixation de la mâchoire de serrage
- (12) Mâchoire de serrage
- (13) Tête porte-fers
- (14) Rainure de guidage de fer de rabot
- (15) Fer de rabot HSS
- (16) Étrier de maintien de fer de rabot HSS
- (17) Vis de fixation de l'étrier de maintien de fer HSS
- (18) Dispositif d'affûtage de fer de rabot HSS

- (19) Calibre de réglage de fer de rabot HSS
- (20) Fer de rabot au carbure (TC)^{A)}
- (21) Butée parallèle
- (22) Échelle graduée de largeur de feuillure
- (23) Écrou de blocage pour réglage de la largeur de feuillure
- (24) Vis de fixation pour butée parallèle/butée angulaire
- (25) Butée angulaire^{A)}
- (26) Écrou de blocage pour réglage angulaire^{A)}
- (27) Vis de fixation pour butée de profondeur de feuillure^{A)}
- (28) Butée de profondeur de feuillure^{A)}
- (29) Patin de repos
- (30) Courroie d'entraînement
- (31) Grande poulie
- (32) Petite poulie
- (33) Poignée (surface de préhension isolante)
- (34) Adaptateur pour remplacement des fers HSS par des fers au carbure (TC)^{A)}

A) Les accessoires décrits ou illustrés ne sont pas tous compris dans la fourniture. Vous trouverez les accessoires complets dans notre gamme d'accessoires.

Caractéristiques techniques

Rabot	GHO 6500	
Référence	0 601 596 0..	
Puissance absorbée nominale	W	650
Régime à vide	tr/min	16500
Profondeur de passe	mm	0 - 2,6
Profondeur de feuillure	mm	0 - 9
Largeur de rabotage maxi	mm	82
Poids selon EPTA-Procédure 01:2014	kg	2,8
Indice de protection	□/ II	

Les données indiquées sont valables pour une tension nominale [U] de 230 V. Elles peuvent varier lorsque la tension diffère de cette valeur et sur certaines versions destinées à certains pays.

Montage

- ▶ **Débranchez le câble d'alimentation de la prise avant d'effectuer des travaux quels qu'il soient sur l'outil électroportatif.**

Choix des fers de rabot

L'outil électroportatif peut être équipé de différents fers de rabot.

L'adaptateur (34) (accessoire) permet d'utiliser des fers en carbure (20) à la place des fers HSS (15).

Lors d'un changement de fers, remplacez toujours les deux fers à la fois, pour éviter de créer un déséquilibre suscep-

tible à générer des vibrations et de réduire la durée de vie de l'outil électroportatif.

Remplacement des fers de rabot HSS

- ▶ **Attention lors du changement des fers de rabot. Ne touchez pas les bords tranchants des fers de rabot.** Vous risqueriez de vous blesser.

Retrait des fers de rabot (voir figures A-C)

- Pour remplacer les fers de rabot, tournez la tête porte-fers (13), jusqu'à ce que la mâchoire de serrage (12) soit parallèle à la semelle (8).
- Retirez les 3 vis de fixation (11) à l'aide du tournevis Torx (10) et enlevez la mâchoire de serrage (12).
- Poussez l'étrier de maintien (16) avec le fer de rabot (15) pour les sortir de la tête porte-fers (13) / de la rainure de guidage (14).
- Tournez la tête porte-fers de 180° et retirez le second fer de rabot.

Remarque : Avant de remplacer ou de réaffûter les fers de rabot, enlevez l'étrier de maintien (16) en dévissant la vis de fixation (17).

Réaffûtage des fers de rabot HSS (voir figure D)

En utilisation le dispositif d'affûtage (18) (accessoire) et une pierre à aiguiser du commerce, il est possible de réaffûter les fers de rabot HSS usés ou émoussés.

Placez les deux fers de rabot dans le dispositif d'affûtage et serrez-les à l'aide de la vis papillon. Veillez à bien enfoncer les deux fers de rabot à fond, jusqu'en butée.

Déplacez les fers de rabot le long de la pierre à aiguiser avec un mouvement régulier et en exerçant une pression modérée.

Remarque : Les fers de rabot ne doivent être réaffûtés que de maximum 6 mm sur une largeur minimale de 23 mm. Une fois la cote de réaffûtage maximale atteinte, il faut remplacer les deux fers.

Montage des fers de rabot (voir figures E-F)

Avant de remonter des fers de rabot neufs ou venant d'être réaffûtés, nettoyez la tête porte-fers (13) et, si nécessaire, les fers de rabot (15) et l'étrier de maintien (16). Nettoyez les fers de rabot qui sont recouverts de résine avec de l'alcool ou du white spirit.

Remarque : Il convient de toujours régler les fers de rabot neufs ou réaffûtés à la bonne hauteur avant de les monter.

Le réglage de hauteur des fers s'effectue en utilisant le calibre de réglage (19) (accessoire). Placez le fer de rabot (15) et l'étrier de maintien (16) sur le calibre de réglage. Veillez à ce que l'étrier de maintien (16) s'engage dans la rainure prévue. Poussez le fer de rabot (15) contre la butée et bloquez l'étrier de maintien (16) dans cette position à l'aide de la vis de fixation (17). Cela permet d'obtenir automatiquement la bonne hauteur de réglage.

Le fer de rabot doit être monté et positionné **au milieu de la semelle (8)**. Une fois le fer bien en place, serrez les 3 vis de fixation (11) à l'aide du tournevis Torx (10). Respectez ce

faisant l'ordre de serrage (①②③) indiqué sur la mâchoire de serrage (12).

Remarque : Avant de mettre en marche l'outil électroportatif, contrôlez le serrage des vis de fixation (11). Tournez la tête porte-lames (13) à la main et assurez-vous que les fers de rabot ne raclent nulle part.

Remplacement des fers de rabot au carbure (TC)

► **Attention lors du changement des fers de rabot. Ne touchez pas les bords tranchants des fers de rabot.**
Vous risqueriez de vous blesser.

N'utilisez que des fers au carbure (TC) d'origine Bosch.

Les fers de rabot au carbure (TC) disposent de 2 tranchants et ils sont réversibles. Lorsque les deux bords tranchants sont émoussés, il faut remplacer les fers de rabot (20). Les fers de rabot au carbure (TC) ne doivent pas être réaffûtés.

Retrait des fers de rabot (voir figures G–H)

- Pour retourner ou remplacer les fers de rabot, faites tourner la tête porte-fers (13), jusqu'à ce que la mâchoire de serrage (12) soit parallèle à la semelle (8).
- Desserrez les 3 vis de fixation (11) d'env. 1 à 2 tours à l'aide du tournevis Torx (10). Il n'est pas nécessaire d'enlever la mâchoire de serrage (12).
- Tournez légèrement la tête porte-fers et faites sortir par le côté le fer de rabot (20) de la tête porte-fers (13) en le poussant avec un morceau de bois.
- Tournez la tête porte-fers de 180° et retirez le second fer de rabot.

Montage des fers de rabot (voir figures I–J)

La rainure de guidage du fer de rabot fait en sorte que la hauteur de réglage soit toujours correcte lorsqu'on change ou retourne le fer.

Nettoyez si nécessaire le logement des fers dans la tête porte-fers (13) ainsi que les fers de rabot (20).

Lors du montage du fer de rabot, veillez à ce qu'il repose correctement dans le guidage de la tête porte-fers (13).

Le fer de rabot doit être monté et positionné **au milieu de la semelle (8)**. Une fois le fer bien en place, serrez les 3 vis de fixation (11) à l'aide du tournevis Torx (10). Respectez ce faisant l'ordre de serrage (①②③) indiqué sur la mâchoire de serrage (12).

Remarque : Avant de mettre en marche l'outil électroportatif, contrôlez le serrage des vis de fixation (11). Tournez la tête porte-lames (13) à la main et assurez-vous que les fers de rabot ne raclent nulle part.

Utilisation de l'adaptateur TC

Remplacement des fers HSS par des fers au carbure

L'adaptateur TC (accessoire) permet d'utiliser des fers carbure à la place des fers HSS.

- Retirez les 3 vis de fixation (11) à l'aide du tournevis Torx (10) et enlevez la mâchoire de serrage (12).
- Poussez l'étrier de maintien (16) avec le fer de rabot (15) pour les sortir de la tête porte-fers (13) / de la rainure de guidage (14).

- Retirez les vis (17).
- Placez l'étrier de maintien (16) et l'adaptateur (34) dans le calibre de réglage (19). L'étrier de maintien (16) doit s'enclencher dans la rainure du calibre de réglage (voir figure R).
- Glissez par le côté le fer de rabot au carbure (20) dans l'adaptateur (34). La barrette de l'adaptateur (34) doit s'engager dans la rainure du fer de rabot au carbure (voir figure R).
- Resserrez les vis (17).
- Placez l'étrier de maintien (16) avec l'adaptateur (34) et le fer de rabot (15) dans la tête porte-fers (13) / la rainure de guidage (14).
- Remontez la mâchoire de serrage (12) et vissez les vis de fixation (11) sans les serrer.
- Le fer de rabot doit être monté et positionné **au milieu de la semelle (8)**. Une fois le fer bien en place, serrez les 3 vis de fixation (11) à l'aide du tournevis Torx (10). Respectez ce faisant l'ordre de serrage (①②③) indiqué sur la mâchoire de serrage (12).

Remplacement de fers TC par des fers HSS

Les rabots dotés de fers au carbure (TC) peuvent être transformés pour pouvoir utiliser des fers en acier HSS.

- Retirez les 3 vis de fixation (11) à l'aide du tournevis Torx (10) et enlevez la mâchoire de serrage (12).
- Glissez l'étrier de maintien (16) avec le fer (15) et l'adaptateur TC (34) hors de la tête porte-fers (13).
- Retirez les vis (17).
- Montez le fer de rabot HSS (voir « Montage des fers de rabot (voir figures E–F) », Page 18) en le positionnant **au centre de la semelle (8)**.
- Positionnez la mâchoire de serrage (12) et serrez les 3 vis de fixation (11) à l'aide du tournevis Torx (10). Respectez ce faisant l'ordre de serrage (①②③) indiqué sur la mâchoire de serrage (12).

Aspiration de poussières/de copeaux

Les poussières de matériaux tels que peintures contenant du plomb, certains bois, minéraux ou métaux, peuvent être nuisibles à la santé. Le contact avec les poussières ou leur inhalation peut entraîner des réactions allergiques et/ou des maladies respiratoires auprès de l'utilisateur ou des personnes se trouvant à proximité.

Certaines poussières telles que les poussières de chêne ou de hêtre sont considérées comme cancérigènes, surtout en association avec des additifs pour le traitement du bois (chromate, lasure). Les matériaux contenant de l'amiante ne doivent être travaillés que par des personnes qualifiées.

- Si possible, utilisez un dispositif d'aspiration des poussières approprié au matériau.
- Veillez à bien aérer la zone de travail.
- Il est recommandé de porter un masque respiratoire avec un niveau de filtration de classe P2.

Respectez les règlements spécifiques aux matériaux à traiter en vigueur dans votre pays.

► **Évitez toute accumulation de poussières sur le lieu de travail.** Les poussières peuvent facilement s'enflammer.

Nettoyez régulièrement l'éjecteur de copeaux (3). Pour le nettoyage d'un éjecteur de copeaux partiellement obstrué, utilisez un moyen approprié, par ex. un morceau de bois, de l'air comprimé etc.

► **Ne mettez jamais la main dans l'éjecteur de copeaux.**

Vous risqueriez d'être blessé par des pièces en rotation.

Pour garantir une aspiration optimale, utilisez toujours un dispositif d'aspiration externe (aspirateur) ou un sac à poussières/à copeaux.

Utilisation

Modes de fonctionnement

Réglage de la profondeur de passe

Le bouton rotatif (2) permet de régler la profondeur de passe en continu de 0 à 2,6 mm à l'aide de l'échelle graduée (1) (1 graduation = 0,1 mm).

Patin de repos (voir figure N)

Le patin de repos (29) permet de poser l'outil électroportatif immédiatement après son utilisation sans risquer d'endommager la pièce ou les fers de rabot. Lors du rabotage, le patin de repos (29) est basculé vers le haut, la partie arrière de la semelle (8) peut venir en contact avec la pièce.

Mise en marche

► **Tenez compte de la tension du réseau ! La tension de la source de courant doit correspondre aux indications se trouvant sur la plaque signalétique de l'outil électroportatif. Les outils électroportatifs marqués 230 V peuvent également fonctionner sur 220 V.**

Mise en marche/arrêt

► **Assurez-vous de pouvoir actionner l'interrupteur Marche/Arrêt sans avoir à relâcher la poignée.**

Pour **mettre en marche** l'outil électroportatif, actionnez l'interrupteur Marche/Arrêt (5) et maintenez-le enfoncé.

Pour **bloquer** l'interrupteur marche/arrêt (5), appuyez en même temps sur le bouton de blocage (4).

Pour **arrêter** l'outil électroportatif, relâchez l'interrupteur marche/arrêt (5) et, s'il est bloqué avec le bouton de blocage (4), appuyez brièvement sur l'interrupteur marche/arrêt (5) puis relâchez-le.

Instructions d'utilisation

► **Débranchez le câble d'alimentation de la prise avant d'effectuer des travaux quels qu'il soient sur l'outil électroportatif.**

Processus de rabotage (voir figure N)

Réglez la profondeur de passe souhaitée et appliquez la partie avant de la semelle (8) de l'outil électroportatif contre la pièce.

► **N'approchez l'outil électroportatif de la pièce à scier qu'après l'avoir mis en marche.** Il y a sinon risque de rebond au cas où la lame resterait coincée dans la pièce.

Mettez l'outil électroportatif en marche et déplacez-le le long de la surface à raboter avec une vitesse d'avance régulière.

Pour d'obtenir une bonne qualité de surface, travaillez avec une avance modérée et exercez la pression sur le milieu de la semelle.

Pour raboter des matériaux durs (bois dur par ex.) ou pour raboter avec la largeur de rabotage maximale, réglez une petite profondeur de passe et réduisez la vitesse d'avance.

Une vitesse d'avance trop élevée réduit la qualité de la surface et peut provoquer une obturation rapide de l'éjecteur de copeaux.

Pour réaliser des coupes parfaites et ménager l'outil électroportatif, il faut que les fers de rabot soient bien aiguisés.

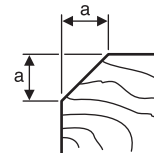
Le patin de repos intégré (29) permet d'interrompre puis de reprendre le rabotage à n'importe quel endroit de la pièce :

- Posez l'outil électroportatif – avec le patin de repos rabattu vers le bas – à l'endroit de la pièce où vous souhaitez vous remettre à raboter.
- Mettez l'outil électroportatif en marche.
- Déplacez la pression exercée vers la partie avant de la semelle et poussez lentement l'outil électroportatif vers l'avant (⊙). Le patin de repos se rabat alors automatiquement vers le haut (⊙), ce qui permet à la partie arrière de la semelle de venir en contact avec la pièce.
- Déplacez l'outil électroportatif le long de la surface avec une vitesse d'avance régulière (⊙).

Chanfreinage de bords (voir figure O)

La partie avant de la semelle possède des rainures en V permettant de chanfreiner rapidement et facilement des bords de pièce. Utilisez la rainure en V permettant d'obtenir la largeur de chanfrein voulue. Pour chanfreiner, posez le rabot avec la rainure en V sur le bord de la pièce et déplacez l'outil le long du bord.

Rainure utilisée	Cote a (mm)
aucune	0 – 4
petite	2 – 6
moyenne	4 – 9
grande	6 – 10



Rabotage avec butée parallèle/butée angulaire (voir figures K-M)

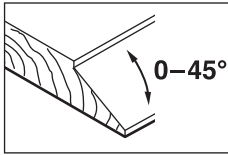
Montez sur l'outil électroportatif la butée parallèle (21) ou la butée angulaire (25) à l'aide de la vis de fixation (24). Pour certaines utilisations, montez sur l'outil électroportatif la butée de profondeur de feuillurage (28) à l'aide de la vis de fixation (27).

Desserrez l'écrou de blocage (23) et réglez la largeur de feuillurage souhaitée sur l'échelle graduée (22). Resserrez l'écrou de blocage (23).

Réglez la profondeur de feuillurage souhaitée au moyen de la butée de profondeur de feuillurage (28).

Effectuez plusieurs passes jusqu'à obtenir la profondeur de feuillure souhaitée. Guidez le rabot en exerçant une pression latérale.

Chanfreinage avec butée angulaire



Pour chanfreiner des feuillures et des surfaces, réglez l'angle de chanfrein nécessaire à l'aide du dispositif de réglage angulaire (26).

Entretien et Service après-vente

Nettoyage et entretien

- ▶ **Débranchez le câble d'alimentation de la prise avant d'effectuer des travaux quels qu'il soient sur l'outil électroportatif.**
- ▶ **Tenez toujours propres l'outil électroportatif ainsi que les fentes de ventilation afin d'obtenir un travail impeccable et sûr.**

Assurez-vous de la bonne mobilité du patin de repos (29) et nettoyez-le régulièrement.

Lorsque les charbons sont usés, l'outil électroportatif s'arrête automatiquement. L'outil électroportatif doit alors être envoyé pour réparation à un centre de service après-vente. Pour les adresses, voir la section « Service après-vente et conseil utilisateurs ».

Dans le cas où un remplacement du câble d'alimentation s'avère nécessaire, confiez la réparation à Bosch ou à un centre de Service après-vente agréé pour outillage Bosch afin d'éviter de compromettre la sécurité.

Changement de la courroie d'entraînement (voir figures P-Q)

Retirez la vis (6) et enlever le couvre-courroie (7). Enlevez la courroie d'entraînement (30) usagée.

Avant de monter une nouvelle courroie d'entraînement (30), nettoyez les deux poulies (31) et (32).

Positionnez la nouvelle courroie d'entraînement (30) d'abord autour de la petite poulie (32) puis enroulez la courroie (30) autour de la grande poulie (31) en la tournant manuellement.

Veillez à ce que la courroie d'entraînement (30) soit correctement positionnée dans les gorges longitudinales des poulies (31) et (32).

Remontez le couvre-courroie (7) et resserrez la vis (6).

Service après-vente et conseil utilisateurs

Notre Service après-vente répond à vos questions concernant la réparation et l'entretien de votre produit et les pièces de rechange. Vous trouverez des vues éclatées et des informations sur les pièces de rechange sur le site : www.bosch-pt.com

L'équipe de conseil utilisateurs Bosch se tient à votre disposition pour répondre à vos questions concernant nos pro-

duits et leurs accessoires.

www.powertool-portal.de, le portail Internet pour artisans et bricoleurs.

Pour toute demande de renseignement ou commande de pièces de rechange, précisez impérativement la référence à 10 chiffres figurant sur l'étiquette signalétique du produit.

Algérie

Siestal
Zone Industrielle Ihaddaden
06000 Bejaia
Tel. : +213 (0) 982 400 991/2
Fax : +213 (0) 3 420 1569
E-Mail : sav@siestal-dz.com

Maroc

Robert Bosch Morocco SARL
53, Rue Lieutenant Mahroud Mohamed
20300 Casablanca
E-Mail : sav.outillage@ma.bosch.com

Tunisie

Robert Bosch Tunisia SARL
7 Rue Ibn Battouta Z.I. Saint Gobain
Mégrine Riadh
2014 Ben Arous
Tél. : +216 71 427 496/879
Fax : +216 71 428 621
E-Mail : sav.outillage@tn.bosch.com

Côte d'Ivoire

Rimco
ZONE 3, 9 RUE DU CANAL
01 BP V230, Abidjan 01
Tel. : +225 21 25 93 38

Sénégal

Bernabé
Km 2,5 – Bd du Centenaire de la Commune de Dakar
B.P. 2098 DAKAR
Tel. : +221 33 849 01 01
Fax : +221 33 823 34 20

Élimination des déchets

Les outils électroportatifs, ainsi que leurs accessoires et emballages, doivent pouvoir suivre chacun une voie de recyclage appropriée.



Ne jetez pas les outils électroportatifs avec les ordures ménagères !



Português

Instruções de segurança

Instruções gerais de segurança para ferramentas eléctricas

AVISO Devem ser lidas todas as indicações de segurança, instruções, ilustrações e especificações desta ferramenta eléctrica. O desrespeito das instruções apresentadas abaixo poderá resultar em choque eléctrico, incêndio e/ou ferimentos graves.

Guarde bem todas as advertências e instruções para futura referência.

O termo "ferramenta eléctrica" utilizado a seguir nas indicações de advertência, refere-se a ferramentas eléctricas operadas com corrente de rede (com cabo de rede) e a ferramentas eléctricas operadas com acumulador (sem cabo de rede).

Segurança da área de trabalho

- ▶ **Mantenha a sua área de trabalho sempre limpa e bem iluminada.** Desordem ou áreas de trabalho insuficientemente iluminadas podem levar a acidentes.
- ▶ **Não trabalhar com a ferramenta eléctrica em áreas com risco de explosão, nas quais se encontrem líquidos, gases ou pós inflamáveis.** Ferramentas eléctricas produzem faíscas, que podem inflamar pós ou vapores.
- ▶ **Manter crianças e outras pessoas afastadas da ferramenta eléctrica durante a utilização.** No caso de distração é possível que perca o controlo sobre o aparelho.

Segurança eléctrica

- ▶ **A ficha de conexão da ferramenta eléctrica deve caber na tomada. A ficha não deve ser modificada de maneira alguma. Não utilizar uma ficha de adaptação junto com ferramentas eléctricas protegidas por ligação à terra.** Fichas não modificadas e tomadas apropriadas reduzem o risco de um choque eléctrico.
- ▶ **Evitar que o corpo possa entrar em contacto com superfícies ligadas à terra, como tubos, aquecimentos, fogões e frigoríficos.** Há um risco elevado devido a choque eléctrico, se o corpo estiver ligado à terra.
- ▶ **Manter o aparelho afastado de chuva ou humidade.** A infiltração de água numa ferramenta eléctrica aumenta o risco de choque eléctrico.
- ▶ **Não deverá utilizar o cabo para outras finalidades. Nunca utilizar o cabo para transportar a ferramenta eléctrica, para pendurá-la, nem para puxar a ficha da tomada. Manter o cabo afastado do calor, do óleo, de arestas afiadas ou de peças em movimento.** Cabos danificados ou emaranhados aumentam o risco de um choque eléctrico.
- ▶ **Se trabalhar com uma ferramenta eléctrica ao ar livre, só deverá utilizar cabos de extensão apropriados para áreas exteriores.** A utilização de um cabo de extensão apropriado para áreas exteriores reduz o risco de um choque eléctrico.
- ▶ **Se não for possível evitar o funcionamento da ferramenta eléctrica em áreas húmidas, deverá ser utilizado um disjuntor de corrente de avaria.** A utilização de um disjuntor de corrente de avaria reduz o risco de um choque eléctrico.

Segurança de pessoas

- ▶ **Esteja atento, observe o que está a fazer e tenha prudência ao trabalhar com a ferramenta eléctrica. Não utilizar uma ferramenta eléctrica quando estiver fatigado ou sob a influência de drogas, álcool ou medicamentos.** Um momento de descuido ao utilizar a ferramenta eléctrica, pode levar a lesões graves.
- ▶ **Utilizar equipamento de protecção individual. Utilizar sempre óculos de protecção.** A utilização de equipamento de protecção pessoal, como máscara de protecção contra pó, sapatos de segurança antiderrapantes, capacete de segurança ou protecção auricular, de acordo com o tipo e aplicação da ferramenta eléctrica, reduz o risco de lesões.
- ▶ **Evitar uma colocação em funcionamento involuntária. Assegure-se de que a ferramenta eléctrica esteja desligada, antes de conectá-la à alimentação de rede e/ou ao acumulador, antes de levantá-la ou de transportá-la.** Se tiver o dedo no interruptor ao transportar a ferramenta eléctrica ou se o aparelho for conectado à alimentação de rede enquanto estiver ligado, poderão ocorrer acidentes.
- ▶ **Remover ferramentas de ajuste ou chaves de boca antes de ligar a ferramenta eléctrica.** Uma ferramenta ou chave que se encontre numa parte do aparelho em movimento pode levar a lesões.
- ▶ **Evite uma posição anormal. Mantenha uma posição firme e mantenha sempre o equilíbrio.** Desta forma é mais fácil controlar a ferramenta eléctrica em situações inesperadas.
- ▶ **Usar roupa apropriada. Não usar roupa larga nem jóias. Mantenha os cabelos e roupas afastados de peças em movimento.** Roupas frouxas, cabelos longos ou jóias podem ser agarrados por peças em movimento.
- ▶ **Se for possível montar dispositivos de aspiração ou de recolha, assegure-se de que estejam conectados e utilizados correctamente.** A utilização de uma aspiração de pó pode reduzir o perigo devido ao pó.
- ▶ **Não deixe que a familiaridade resultante de uma utilização frequente de ferramentas permita que você se torne complacente e ignore os princípios de segurança da ferramenta.** Uma acção descuidada pode causar ferimentos graves numa fracção de segundo.

Utilização e manuseio cuidadoso de ferramentas eléctricas

- ▶ **Não sobrecarregue a ferramenta eléctrica. Utilize a ferramenta eléctrica apropriada para o seu trabalho.** É melhor e mais seguro trabalhar com a ferramenta eléctrica apropriada na área de potência indicada.
- ▶ **Não utilizar uma ferramenta eléctrica com um interruptor defeituoso.** Uma ferramenta eléctrica que não pode mais ser ligada nem desligada, é perigosa e deve ser reparada.
- ▶ **Puxar a ficha da tomada e/ou remover o acumulador, se amovível, antes de executar ajustes na ferramenta eléctrica, de substituir acessórios ou de guardar as ferramentas eléctricas.** Esta medida de segurança evita o arranque involuntário da ferramenta eléctrica.
- ▶ **Guardar ferramentas eléctricas não utilizadas fora do alcance de crianças e não permitir que as pessoas que não estejam familiarizadas com o aparelho ou que não tenham lido estas instruções utilizem o aparelho.** Ferramentas eléctricas são perigosas se forem utilizadas por pessoas inexperientes.
- ▶ **Tratar a ferramenta eléctrica e os acessórios com cuidado. Controlar se as partes móveis do aparelho funcionam perfeitamente e não emperram, e se há peças quebradas ou danificadas que possam prejudicar o funcionamento da ferramenta eléctrica. Permitir que peças danificadas sejam reparadas antes da utilização.** Muitos acidentes têm como causa, a manutenção insuficiente de ferramentas eléctricas.
- ▶ **Mantém as ferramentas de corte afiadas e limpas.** Ferramentas de corte cuidadosamente tratadas e com cantos de corte afiados emperram com menos frequência e podem ser conduzidas com maior facilidade.
- ▶ **Utilizar a ferramenta eléctrica, acessórios, ferramentas de aplicação, etc. conforme estas instruções. Considerar as condições de trabalho e a tarefa a ser executada.** A utilização de ferramentas eléctricas para outras tarefas a não ser as aplicações previstas, pode levar a situações perigosas.
- ▶ **Mantenha os punhos e as superfícies de agarrar secas, limpas e livres de óleo e massa consistente.** Punhos e superfícies de agarrar escorregadias não permitem o manuseio e controle seguros da ferramenta em situações inesperadas.

Serviço

- ▶ **Só permita que o seu aparelho seja reparado por pessoal especializado e qualificado e só com peças de reposição originais.** Desta forma é assegurado o funcionamento seguro do aparelho.

Instruções de segurança para plainas

- ▶ **Aguarde quer o cortador pare antes de pousar a ferramenta.** Um cortador em rotação exposto pode engatar na superfície e levar a uma possível perda de controlo e provocar ferimentos graves.

- ▶ **Segure a ferramenta eléctrica nas superfícies de agarrar isoladas, uma vez que o cortador pode entrar em contacto com o seu próprio cabo.** O corte de um fio "sob tensão" irá colocar as partes metálicas expostas da ferramenta eléctrica "sob tensão" e produzir um choque eléctrico.
- ▶ **Use grampos ou outra forma prática e para fixar e suportar a peça numa plataforma estável.** Segurar a peça com a mão ou contra o seu corpo deixa-a instável e pode levar à perda de controlo.
- ▶ **Só conduzir a ferramenta eléctrica no sentido da peça a ser trabalhada quando estiver ligada.** Caso contrário há risco de um contragolpe, se a ferramenta de aplicação se engancha na peça a ser trabalhada.
- ▶ **Não insira as mãos na remoção de aparas.** Pode sofrer ferimentos nas peças em rotação.
- ▶ **Nunca passe a plaina por cima de objetos de metal, pregos ou parafusos.** A lâmina e o eixo da lâmina podem ficar danificados e fazer aumentar as vibrações.
- ▶ **Utilizar detetores apropriados, para encontrar cabos escondidos, ou consulte a companhia eléctrica local.** O contacto com cabos eléctricos pode provocar fogo e choques eléctricos. Danos em tubos de gás podem levar à explosão. A penetração num cano de água causa danos materiais ou pode provocar um choque eléctrico.
- ▶ **Ao trabalhar, segure a plaina de maneira a que a base da plaina assente de forma plana sobre a peça.** Caso contrário, a plaina poderá ser emperrada e provocar lesões.
- ▶ **Durante o trabalho, segure a ferramenta eléctrica com as duas mãos e providencie uma estabilidade segura.** A ferramenta eléctrica é conduzida com maior segurança com ambas as mãos.

Descrição do produto e do serviço



Leia todas as instruções de segurança e instruções. A inobservância das instruções de segurança e das instruções pode causar choque eléctrico, incêndio e/ou ferimentos graves.

Respeite as figuras na parte da frente do manual de instruções.

Utilização adequada

A ferramenta eléctrica destina-se a aplainar, num apoio fixo, derivados de madeira como p. ex. vigas e tábuas. Também é adequada para chanfrar arestas e executar ensambladuras.

Componentes ilustrados

A numeração dos componentes ilustrados refere-se à apresentação da ferramenta eléctrica na página de esquemas.

- (1) Escala da profundidade do rebaixo
- (2) Botão giratório para o ajuste da profundidade de corte (superfície isolada)

- (3) Expulsão de aparas
- (4) Tecla de fixação para o interruptor de ligar/desligar
- (5) Interruptor de ligar/desligar
- (6) Parafuso da cobertura da correia
- (7) Cobertura da correia
- (8) Sola de aplainar
- (9) Ranhuras em V
- (10) Chave Torx
- (11) Parafuso de fixação para mordente de aperto
- (12) Mordente de aperto
- (13) Ponta da lâmina
- (14) Ranhura de guia para lâmina de aplainar
- (15) Lâmina de aplainar HSS
- (16) Arco de suporte da lâmina de aplainar HSS
- (17) Parafuso de fixação para arco de suporte da lâmina de aplainar HSS
- (18) Dispositivo de afiar para lâmina de aplainar HSS
- (19) Calibre de regulação para lâmina de aplainar HSS
- (20) Lâminas de aplainar HM/TC^{A)}
- (21) Guia paralela
- (22) Escala para a largura da ranhura
- (23) Porca de fixação para o ajuste da largura da ranhura
- (24) Parafuso de fixação para guia paralela/angular
- (25) Guia angular^{A)}
- (26) Parafuso de fixação para guia angular^{A)}
- (27) Parafuso de fixação para limitador de profundidade^{A)}
- (28) limitador de profundidade^{A)}
- (29) Patim de descanso
- (30) Correia de acionamento
- (31) Roda grande da correia
- (32) Roda pequena da correia
- (33) Punho (superfície do punho isolada)
- (34) Adaptador para conversão de lâminas de aplainar HSS para TC^{A)}

A) **Acessórios apresentados ou descritos não pertencem ao volume de fornecimento padrão. Todos os acessórios encontram-se no nosso programa de acessórios.**

Dados técnicos

Plaina	GHO 6500	
Número de produto		0 601 596 0..
Potência nominal absorvida	W	650
N.º de rotações em ponto morto	r.p.m.	16500
Profundidade de corte	mm	0 – 2,6
Profundidade da ranhura	mm	0 – 9
máx. largura da plaina	mm	82
Peso conforme EPTA-Procedure 01:2014	kg	2,8

Plaina

GHO 6500

Classe de proteção



Os dados aplicam-se a uma tensão nominal [U] de 230 V. Com tensões divergentes e em versões específicas do país, estes dados podem variar.

Montagem

- **Antes de todos trabalhos na ferramenta elétrica deverá puxar a ficha de rede da tomada.**

Seleção da lâmina de aplainar

A ferramenta elétrica pode estar equipada com diferentes lâminas de aplainar.

Através da montagem do adaptador (34) (acessórios) a ferramenta elétrica pode ser convertida de lâminas de aplainar HSS (15) para lâminas de aplainar HM/TC (20).

Trocar sempre ambas as lâminas de aplainar na substituição da lâmina, caso contrário cria-se um desequilíbrio nas vibrações, o que pode reduzir a durabilidade da ferramenta elétrica.

Substituição das lâminas de aplainar HSS

- **Cuidado ao trocar as lâminas de aplainar. Não segura as lâminas de aplainar nas arestas de corte.** Poderá ferir-se nos gumes afiados.

Desmontar as lâminas de aplainar (ver figura A-C)

- Para substituir as lâminas de aplainar, rodar a ponta da lâmina (13), até que o mordente de aperto (12) fique paralelamente à sola de aplainar (8).
- Desapertar os 3 parafusos de fixação (11) com a chave Torx (10) e retirar o mordente de aperto (12).
- Retirar o arco de suporte (16) juntamente com a lâmina de aplainar (15) da ponta da lâmina (13) ou da ranhura de guia (14).
- Rodar a ponta da lâmina 180º e desmontar a 2.ª lâmina de aplainar.

Nota: Antes de substituir ou reafiar as lâminas de aplainar, retirar o arco de suporte (16) soltando o parafuso de fixação (17).

Reafiar as lâminas de aplainar HSS (ver figura D)

Usando o dispositivo de afiar (18) (acessórios) e uma pedra de afiar convencional é possível reafiar lâminas de aplainar HSS gastas ou rombas.

Colocar ambas as lâminas de aplainar no dispositivo de afiar e fixar as mesmas com o parafuso de orelhas. Certificar-se de que ambas as lâminas de aplainar são inseridas até ao batente.

Mover uniformemente as lâminas de aplainar inseridas no dispositivo de afiar e com ligeira pressão sobre a pedra de afiar.

Nota: As lâminas de aplainar podem ser reafiadas no máximo 6 mm numa largura mínima de 23 mm. Depois disso, têm de ser substituídas ambas as lâminas de aplainar.

Montar as lâminas de aplainar (ver figuras E-F)

Antes de voltar a colocar lâminas de aplainar novas ou reafiadas, limpar a ponta da lâmina (13) e, se necessário, a lâmina de aplainar (15) e o arco de suporte (16). Limpar lâminas de aplainar muito resinificadas com álcool desnaturado ou petróleo.

Nota: Lâminas de aplainar novas ou reafiadas têm de ser sempre ajustadas para a altura certa antes de serem montadas.

Para ajustar a altura das lâminas de aplainar usar o calibre de regulação (19) (acessórios). Colocar a lâmina de aplainar (15) e o arco de suporte (16) sobre o calibre de regulação. Certificar-se de que o arco de suporte (16) engata na ranhura prevista para esse fim. Pressionar a lâmina de aplainar (15) contra o batente e fixar o arco de suporte (16) nesta posição com o parafuso de fixação (17). Desta forma é obtido automaticamente o ajuste de altura correto.

A lâmina de aplainar tem de ser montada e alinhada no **centro da sola de aplainar (8)**. Depois apertar os 3 parafusos de fixação (11) com a chave Torx (10). Respeitar a sequência de aperto (1 2 3) indicada no mordente de aperto (12).

Nota: Verificar antes da colocação em funcionamento o assento correto dos parafusos de fixação (11). Rodar manualmente a ponta da lâmina (13) e certificar-se de que as lâminas de aplainar não roçam em nenhum lado.

Substituição das lâminas de aplainar HM/TC

► **Cuidado ao trocar as lâminas de aplainar. Não segura as lâminas de aplainar nas arestas de corte.** Poderá ferir-se nos gumes afiados.

Só utilizar lâminas de plainas HM/TC originais Bosch. As lâminas de aplainar de metal duro (HM/TC) têm 2 gumes e podem ser viradas. Se ambas as arestas de corte estiverem rombas, as lâminas de aplainar (20) têm de ser substituídas. A lâmina de aplainar HM/TC não pode ser reafiada.

Desmontar as lâminas de aplainar (ver figura G-H)

- Para virar ou substituir as lâminas de aplainar, rodar a ponta da lâmina (13), até que o mordente de aperto (12) fique paralelamente à sola de aplainar (8).
- Desapertar os 3 parafusos de fixação (11) com a chave Torx (10) aprox. 1–2 voltas. Não é necessário retirar o mordente de aperto (12).
- Rodar um pouco a ponta da lâmina e empurrar com uma peça de madeira a lâmina de aplainar (20) lateralmente para fora da ponta da lâmina (13).
- Rodar a ponta da lâmina 180° e desmontar a 2.ª lâmina de aplainar.

Montar as lâminas de aplainar (ver figuras I-J)

A ranhura de guia da lâmina da plaina assegura sempre um ajuste uniforme da altura quando a lâmina da plaina é trocada ou virada.

Se necessário, limpar o assento da lâmina na ponta da lâmina (13) e a lâmina de aplainar (20).

Durante a montagem da lâmina de aplainar certificar-se de que a mesma assenta sem problemas na guia de suporte da ponta da lâmina (13).

A lâmina de aplainar tem de ser montada e alinhada no **centro da sola de aplainar (8)**. Depois apertar os 3 parafusos de fixação (11) com a chave Torx (10). Respeitar a sequência de aperto (1 2 3) indicada no mordente de aperto (12).

Nota: Verificar antes da colocação em funcionamento o assento correto dos parafusos de fixação (11). Rodar manualmente a ponta da lâmina (13) e certificar-se de que as lâminas de aplainar não roçam em nenhum lado.

Utilização do adaptador HM/TC

Conversão de HSS para HM/TC

Com um adaptador HM/TC, uma plaina com lâminas de aplainar HSS pode ser convertida para lâminas de aplainar HM/TC.

- Desapertar os 3 parafusos de fixação (11) com a chave Torx (10) e retirar o mordente de aperto (12).
- Retirar o arco de suporte (16) juntamente com a lâmina de aplainar (15) da ponta da lâmina (13) ou da ranhura de guia (14).
- Retirar os parafusos (17).
- Colocar o arco de suporte (16) e o adaptador (34) no calibre de regulação (19). O arco de suporte (16) tem de encaixar na ranhura do calibre de regulação (ver figura R).
- Empurrar a lâmina de aplainar HM/TC (20) lateralmente no adaptador (34). A barra no adaptador (34) tem de encaixar na ranhura da lâmina de aplainar HM/TC (ver figura R).
- Apertar os parafusos (17).
- Colocar o arco de suporte (16) junto com o adaptador (34) na lâmina de aplainar (15) na ponta da lâmina (13) ou na ranhura de guia (14).
- Colocar o mordente de aperto (12) e apertar frouxamente os parafusos de fixação (11).
- A lâmina de aplainar tem de ser montada e alinhada no **centro da sola de aplainar (8)**. Depois apertar os 3 parafusos de fixação (11) com a chave Torx (10). Respeitar a sequência de aperto (1 2 3) indicada no mordente de aperto (12).

Conversão de HM/TC para HSS

As plainas equipadas com lâminas de aplainar HM/TC podem ser convertidas para lâminas de aplainar HSS.

- Desapertar os 3 parafusos de fixação (11) com a chave Torx (10) e retirar o mordente de aperto (12).
- Retirar o arco de suporte (16) juntamente com a lâmina de aplainar (15) ou o adaptador HM/TC (34) da ponta da lâmina (13).
- Retirar os parafusos (17).
- Montar a lâmina de aplainar HSS montada (ver "Montar as lâminas de aplainar (ver figuras E-F)", Página 25) e alinhar ao **centro da base da plaina (8)**.

- Colocar o mordente de aperto **(12)** e apertar os 3 parafusos de fixação **(11)** com a chave Torx **(10)**. Respeitar a sequência de aperto **(1) (2) (3)** indicada no mordente de aperto **(12)**.

Aspiração de pó/de aparas

Pós de materiais como por exemplo, tintas que contém chumbo, alguns tipos de madeira, minerais e metais, podem ser nocivos à saúde. O contacto ou a inalação dos pós pode provocar reações alérgicas e/ou doenças nas vias respiratórias do utilizador ou das pessoas que se encontrem por perto.

Certos pós, como por exemplo pó de carvalho e faia são considerados como sendo cancerígenos, especialmente quando juntos com substâncias para o tratamento de madeiras (cromato, produtos de proteção da madeira). Material que contém asbesto só deve ser processado por pessoal especializado.

- Se possível deverá usar um dispositivo de aspiração de pó apropriado para o material.
- Assegurar uma boa ventilação do local de trabalho.
- É recomendável usar uma máscara de proteção respiratória com filtro da classe P2.

Observe as diretivas para os materiais a serem processados, vigentes no seu país.

- ▶ **Evite a acumulação de pó no local de trabalho.** Pós podem entrar levemente em ignição.

Limpar regularmente a expulsão de aparas **(3)**. Usar uma ferramenta adequada para limpar uma expulsão de aparas entupida, p. ex. um pedaço de madeira, ar comprimido, etc.

- ▶ **Não insira as mãos na remoção de aparas.** Pode sofrer ferimentos nas peças em rotação.

Para garantir uma aspiração ideal, usar sempre um dispositivo de aspiração de terceiros ou um saco de pó/ aparas.

Funcionamento

Modos de operação

Ajustar a profundidade de corte

Com o botão rotativo **(2)**, a espessura da aparta pode ser regulada de forma contínua de 0–2,6 mm através da escala da profundidade do rebaixo **(1)** (divisão escala = 0,1 mm).

Patim de descanso (ver figura N)

O patim de descanso **(29)** permite pousar a ferramenta elétrica diretamente após o trabalho sem perigo de danificar a peça ou a lâmina de aplainar. Durante o trabalho o patim de descanso **(29)** é oscilado para cima e a parte traseira da base da plaina **(8)** é libertada.

Colocação em funcionamento

- ▶ **Observar a tensão de rede! A tensão da fonte de corrente elétrica deve coincidir com os dados que constam na placa de características da ferramenta**

elétrica. Ferramentas elétricas marcadas para 230 V também podem ser operadas com 220 V.

Ligar/desligar

- ▶ **Certifique-se de que consegue acionar o interruptor de ligar/desligar sem ter de soltar o punho.**

Para a **colocação em funcionamento** da ferramenta elétrica deverá pressionar o interruptor de ligar/desligar **(5)** e mantê-lo pressionado.

Para **fixar** o interruptor de ligar/desligar **(5)** pressionado, prima o botão de fixação **(4)**.

Para **desligar** ferramenta elétrica liberte o interruptor de ligar/desligar **(5)** ou, se este estiver bloqueado com o botão de fixação **(4)**, pressione o interruptor de ligar/desligar **(5)** brevemente e depois liberte-o.

Instruções de trabalho

- ▶ **Antes de todos trabalhos na ferramenta elétrica deverá puxar a ficha de rede da tomada.**

Processo de aplainar (ver figura N)

Regule a espessura da aparta desejada e apoie a ferramenta elétrica com a parte da frente da sola de aplainar móvel **(8)** na peça.

- ▶ **Só conduzir a ferramenta elétrica no sentido da peça a ser trabalhada quando estiver ligada.** Caso contrário há risco de um contragolpe, se a ferramenta de aplicação se enganchar na peça a ser trabalhada.

Ligar a ferramenta elétrica e passar a mesma com um avanço uniforme sobre a superfície a trabalhar.

Para obter superfícies de alta qualidade, deverá sempre trabalhar com avanço reduzido e exercer pressão sobre o ponto central da sola da plaina.

Para trabalhar materiais duros, p. ex. madeira de lei, assim como ao usufruir da largura máxima da plaina, deverá sempre ajustar reduzidas profundidades de corte e reduzir, se necessário, o avanço da plaina.

Um avanço excessivo reduz a qualidade da superfície e pode levar a uma rápida obstrução da expulsão de aparas.

Apenas lâminas de aplainar afiadas garantem um excelente rendimento de desbaste e a proteção da ferramenta elétrica.

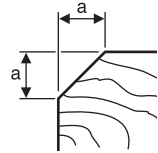
O patim de descanso integrado **(29)** permite também a continuação da aplainação após interrupção no local desejado da peça:

- Colocar a ferramenta elétrica, com o patim de descanso virado para baixo, no local na peça para continuar a trabalhar.
- Ligar a ferramenta elétrica.
- Transferir a pressão de apoio para a base da plaina dianteira e empurrar a ferramenta elétrica lentamente para a frente **(1)**. O patim de descanso é virado para cima **(2)**, para que a parte de trás da base da plaina volte a encostar na peça.
- Desligar a ferramenta elétrica com um avanço uniforme sobre a superfície a trabalhar **(3)**.

Chanfrar arestas (ver figura O)

As ranhuras em V existentes na base da plaina dianteira permitem chanfrar de forma rápida e simples as arestas das peças. Usar a ranhura em V correspondente consoante a largura de fase desejada. Para tal deverá apoiar a plaina com a ranhura em forma de V sobre a aresta da peça a ser trabalhada e conduzi-la ao longo dela.

Ranhura desejada	Medida a (mm)
nenhum	0 - 4
pequeno	2 - 6
média	4 - 9
grande	6 - 10



Aplainar com guia paralela/angular (ver figura K-M)

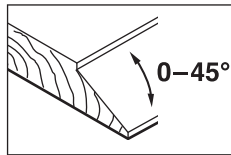
Montar guia paralela (21) ou guia angular (25) respetivamente com o parafuso de fixação (24) na ferramenta elétrica. Montar consoante a aplicação o limitador de profundidade do rebaixo (28) com o parafuso de fixação (27) na ferramenta elétrica.

Soltar a porca de fixação (23) e ajustar a largura do entalhe desejada na escala (22). Voltar a apertar a porca de fixação (23).

Voltar a ajustar a profundidade do rebaixo desejada com o limitador (28).

Executar repetidamente o processo de aplainar até obter a profundidade de ensabladura desejada. Conduzir a plaina com uma pressão lateral.

Chanfrar com o limitador angular



Ao chanfrar ensabladuras e áreas ajustar o ângulo de inclinação necessário com a regulações do ângulo (26).

Manutenção e

assistência técnica

Manutenção e limpeza

- ▶ **Antes de todos trabalhos na ferramenta elétrica deverá puxar a ficha de rede da tomada.**
- ▶ **Manter a ferramenta elétrica e as aberturas de ventilação sempre limpas, para trabalhar bem e de forma segura.**

Manter o patim de descanso (29) livre e limpá-lo com regularidade.

A ferramenta elétrica desliga-se se as escovas de carvão estiverem gastas. A ferramenta elétrica deve ser enviada ao serviço pós-venda. Os endereços encontram-se na secção "Serviço de Assistência Técnica e aconselhamento sobre formas de aplicação".

Se for necessário substituir o cabo de ligação, isto deverá ser realizado pela Bosch ou por um posto de assistência técnica autorizado para ferramentas elétricas Bosch para evitar riscos de segurança.

Trocar correia de acionamento (ver figuras P-Q)

Desenroscar totalmente o parafuso (6) e retirar a cobertura da correia (7). Retirar a correia de acionamento gasta (30). Antes de montar a correia de acionamento nova, limpar (30) rodas da correia (31) e (32).

Colocar primeiro a nova correia de acionamento na (30) roda pequena (32) e depois pressionar a correia de acionamento (30) rodando manualmente a roda grande (31).

Certificar-se de que a correia de acionamento (30) se desloca precisamente no sulco longitudinal das rodas da correia (31) ou (32).

Colocar a cobertura da correia (7) e apertar o parafuso (6).

Serviço pós-venda e aconselhamento

O serviço pós-venda responde às suas perguntas a respeito de serviços de reparação e de manutenção do seu produto, assim como das peças sobressalentes. Desenhos explodidos e informações sobre peças sobressalentes encontram-se em: www.bosch-pt.com

A nossa equipa de consultores Bosch esclarece com prazer todas as suas dúvidas a respeito dos nossos produtos e acessórios.

www.powertool-portal.de, o portal de Internet para operários e aficionados da bricolage.

Indique para todas as questões e encomendas de peças sobressalentes a referência de 10 dígitos de acordo com a placa de características do produto.

Brasil

Robert Bosch Ltda. – Divisão de Ferramentas Elétricas
Caixa postal 1195 – CEP: 13065-900
Campinas – SP
Tel.: 0800 7045 446
www.bosch.com.br/contato

Angola

InvestGlobal
Parque Logístico
Estrada de Viana Km 12
Luanda
Tel. : +212 948 513 580
E-Mail: helderribeiro@investglobal-ang.com

Eliminação

Ferramentas elétricas, acessórios e embalagens devem ser enviados a uma reciclagem ecológica de matérias-primas.



Não deitar ferramentas elétricas no lixo doméstico!

中文

安全规章

电动工具通用安全警告

警告！ 阅读随电动工具提供的所有安全警告、说明、图示和规定。不遵照以下所列说明会导致电击、着火和/或严重伤害。

保存所有警告和说明书以备查阅。

警告中的术语“电动工具”是指市电驱动（有线）电动工具或电池驱动（无线）电动工具。

工作场地的安全

- ▶ 保持工作场地清洁和明亮。杂乱和黑暗的场地会引发事故。
- ▶ 不要在易爆环境，如有易燃液体、气体或粉尘的环境下操作电动工具。电动工具产生的火花会点燃粉尘或气体。
- ▶ 操作电动工具时，远离儿童和旁观者。注意力不集中会使你失去对工具的控制。

电气安全

- ▶ 电动工具插头必须与插座相配。绝不能以任何方式改装插头。需接地的电动工具不能使用任何转换插头。未经改装的插头和相配的插座将降低电击风险。
- ▶ 避免人体接触接地表面，如管道、散热片和冰箱。如果你身体接触接地表面会增加电击风险。
- ▶ 不得将电动工具暴露在雨中或潮湿环境中。水进入电动工具将增加电击风险。
- ▶ 不得滥用软线。绝不能用软线搬运、拉动电动工具或拔出其插头。使软线远离热源、油、锐边或运动部件。受损或缠绕的软线会增加电击风险。
- ▶ 当在户外使用电动工具时，使用适合户外使用的延长线。适合户外使用的电线将降低电击风险。
- ▶ 如果无法避免在潮湿的环境中操作电动工具，应使用带有剩余电流装置（RCD）保护的电源。RCD的使用可降低电击风险。

人身安全

- ▶ 保持警觉，当操作电动工具时关注所从事的操作并保持清醒。当你感到疲倦，或在有药物、酒精或治疗反应时，不要操作电动工具。在操作电动工具时瞬间的疏忽会导致严重人身伤害。
- ▶ 使用个人防护装置。始终佩戴护目镜。防护装置，诸如适当条件下使用防尘面具、防滑安全鞋、安全帽、听力防护等装置能减少人身伤害。
- ▶ 防止意外起动。在连接电源和/或电池包、拿起或搬运工具前确保开关处于关断位置。手指放在开关上搬运工具或开关处于接通时通电会导致危险。
- ▶ 在电动工具接通之前，拿掉所有调节钥匙或扳手。遗留在电动工具旋转零件上的扳手或钥匙会导致人身伤害。

- ▶ 手不要过分伸展。时刻注意立足点和身体平衡。这样能在意外情况下能更好地控制住电动工具。
- ▶ 着装适当。不要穿宽松衣服或佩戴饰品。让你的头发和衣服远离运动部件。宽松衣服、配饰或长发可能会卷入运动部件。
- ▶ 如果提供了与排屑、集尘设备连接用的装置，要确保其连接完好且使用得当。使用集尘装置可降低尘屑引起的危险。
- ▶ 不要因为频繁使用工具而产生的熟悉感而掉以轻心，忽视工具的安全准则。某个粗心的动作可能在瞬间导致严重的伤害。

电动工具使用和注意事项

- ▶ 不要勉强使用电动工具，根据用途使用合适的电动工具。选用合适的按照额定值设计的电动工具会使你工作更有效、更安全。
- ▶ 如果开关不能接通或关断电源，则不能使用该电动工具。不能通过开关来控制的电动工具是危险的且必须进行修理。
- ▶ 在进行任何调节、更换附件或贮存电动工具之前，必须从电源上拔掉插头和/或卸下电池包（如可拆卸）。这种防护性的安全措施降低了电动工具意外起动的风险。
- ▶ 将闲置不用的电动工具贮存在儿童所及范围之外，并且不允许不熟悉电动工具和不了解这些说明的人操作电动工具。电动工具在未经培训的使用者手中是危险的。
- ▶ 维护电动工具及其附件。检查运动部件是否调整到位或卡住，检查零件破损情况和影响电动工具运行的其他状况。如有损坏，应在使用前修理好电动工具。许多事故是由维护不良的电动工具引发的。
- ▶ 保持切削刀具锋利和清洁。维护良好地有锋利切削刃的刀具不易卡住而且容易控制。
- ▶ 按照使用说明书，并考虑作业条件和要进行的作业来选择电动工具、附件和工具的刀头等。将电动工具用于那些与其用途不符的操作可能会导致危险情况。
- ▶ 保持手柄和握持表面干燥、清洁，不得沾有油脂。在意外的情况下，湿滑的手柄不能保证握持的安全和对工具的控制。

维修

- ▶ 由专业维修人员使用相同的备件维修电动工具。这将保证所维修的电动工具的安全。

针对电刨刀的安全规章

- ▶ 等刨刀停止运动后再放置工具。外露的刨刀可能会嵌入表面而引发可能的失控和严重的伤害事故。
- ▶ 握住电动工具的绝缘握持面，因为切割机可能会碰到自带的电源线。一旦割破“带电”导线，可能会使电动工具外露的金属部件“带电”，并使操作员触电。
- ▶ 使用夹箍或其他实用方式将加工件固定和支承到一个稳定的平台上。用手握住或用身体顶住加工件会导致不稳定，从而引起失控。

- ▶ **先开电动工具后再把工具放置在工件上切割。**如果电动工具被夹在工件中，会有反弹的危险。
- ▶ **不要用手抓握排屑槽。**可能会被旋转部件伤到。
- ▶ **刨削时必须避开金属、钉子或螺丝。**否则刨刀和刨刀轴可能受损并且会加大震动。
- ▶ **使用合适的侦测装置侦察隐藏的电线，或者向当地的相关单位寻求支援。**接触电线可能引起火灾并让操作者触电。损坏了瓦斯管会引起爆炸。凿穿水管不仅会造成严重的财物损失，也可能导致触电。
- ▶ **工作时必须让刨刀的底板平贴着工件。**否则刨刀可能被工件绊住导致操作者受伤。
- ▶ **工作时要使用双手握紧电动工具并确保站稳。**使用双手才能够稳定地操作电动工具。

产品和性能说明



请阅读所有安全规章和指示。不遵照以下警告和说明可能导致电击、着火和/或严重伤害。

请注意本使用说明书开头部分的图示。

按照规定使用

本电动工具用于在稳固的工作平台上刨削木材，例如方木和木板。也适合刨斜边和开槽。

插图上的机件

机件的编号和电动工具详解图上的编号一致。

- (1) 刨深刻度
- (2) 设定刨深的旋钮（配备绝缘握柄）
- (3) 锯屑排口
- (4) 电源开关的锁定按钮
- (5) 电源开关
- (6) 皮带护罩的固定螺栓
- (7) 皮带护罩
- (8) 电刨底板
- (9) V形槽
- (10) Torx扳手
- (11) 夹紧钳口固定螺栓
- (12) 夹紧钳口
- (13) 刨刀头
- (14) 刨刀的导引槽
- (15) 高速钢（HSS）刨刀
- (16) 高速钢（HSS）刨刀的固定架
- (17) 高速钢（HSS）刨刀固定架的螺栓
- (18) 高速钢（HSS）刨刀的刃磨装置
- (19) 高速钢（HSS）刨刀的调整规
- (20) HM/TC刨刀^{A)}
- (21) 平行限制器
- (22) 槽宽刻度
- (23) 槽宽的调整螺栓

- (24) 平行/角度限制器固定螺栓
- (25) 角度限制器^{A)}
- (26) 用于角度调整的止动螺母^{A)}
- (27) 槽深限制器的固定螺栓^{A)}
- (28) 槽深限制器^{A)}
- (29) 放置垫
- (30) 皮带
- (31) 大皮带轮
- (32) 小皮带轮
- (33) 手柄（绝缘握柄）
- (34) 用于将HSS刨刀改装为TC刨刀的适配器^{A)}

A) 图表或说明上提到的附件，并不包含在基本的供货范围中。本公司的附件清单中有完整的附件供应项目。

技术参数

电刨		GHO 6500
物品代码	0 601 596 0..	
额定输入功率	瓦	650
无负载转速	转/分钟	16500
刨削深度	毫米	0 - 2.6
槽深	毫米	0 - 9
最大刨宽	毫米	82
重量符合EPTA-Procedure 01:2014	千克	2.8
保护等级	□/□ II	

所有参数适用于230伏的额定电压[U]，对于其他不同的电压和国际规格，数据有可能不同。

安装

- ▶ **在电动工具上进行所有操作之前都必须从插座上拔出电源插头。**

选择刨刀

您可以在本电动工具上安装不同的刨刀。

通过安装适配器(34)（附件）可将电动工具从HSS刨刀(15)改装为HM/TC刨刀(20)。

更换刨刀时务必同时更换两把刨刀，否则会因不平衡而造成振动，并且会缩减电动工具的使用寿命。

更换高速钢（HSS）刨刀

- ▶ **更换刨刀时要小心。切勿握住刨刀的切削刃。**您可能会被锋利的刀刃割伤。

拆卸刨刀（见图片A - C）

- 更换刨刀时，请转动刀头(13)，直至夹紧钳口(12)与电刨底板(8)平行。
- 将3个固定螺栓(11)用Torx扳手(10)旋出，取下夹紧钳口(12)。
- 将固定架(16)连同刨刀(15)从刀头(13)或导槽(14)中推出。

– 将刀头旋转180°，拆下第2个刨刀。

提示：更换或修磨刨刀前，请松开固定螺栓(17)，拆下固定架(16)。

修磨HSS刨刀 (见图片D)

使用刃磨装置(18) (附件) 和市售磨石可以修磨磨损或钝化的HSS刨刀。

把两把刨刀安装在刃磨装置上，并使用翼形螺栓固定好刨刀。务必把两把刨刀推到极限位置。

在磨石上均匀地来回移动安装在刃磨装置上的刨刀，刃磨时必须轻轻施压。

提示：最多仅允许将刨刀磨掉6毫米，磨至最小宽度23毫米。如果刨刀宽度不足，必须同时更换两把刨刀。

安装刨刀 (见图片E - F)

再次装入新刨刀或修磨后的刨刀前，请清洁刀头(13)，并在必要时清洁刨刀(15)和固定架(16)。如果刨刀上沾满树脂，得使用酒精或石油清洗。

提示：安装前，必须将新刨刀或修磨后的刨刀校准到正确的高度。

调整规(19) (附件) 用于调整刨刀的高度。将刨刀(15)和固定架(16)放到调整规上。注意，将固定架(16)卡入规定的凹槽内。按压刨刀(15)到极限位置，用固定螺栓(17)将固定架(16)固定在该位置上。此时刨刀已经被调整到正确的高度上了。

刨刀必须**对着电刨底板居中(8)**安装和对齐。接着用Torx扳手(10)拧紧3个固定螺栓(11)。请遵守夹紧钳口(12)上规定的拧紧顺序 (①②③)。

提示：投入使用前，检查固定螺栓(11)是否已拧紧。用手转动刀头(13)并确保刨刀不擦碰到任何东西。

更换HM/TC刨刀

► **更换刨刀时要小心。切勿握住刨刀的切割刃。**您可能会被锋利的刀刃割伤。

只能使用博世原厂的HM /TC刨刀。

由硬质合金 (HM/TC) 制成的刨刀有两个刨刀，可以翻转使用。如果两个切割刃都变钝，则必须更换刨刀(20)。HM/TC刨刀无法修磨。

拆卸刨刀 (见图片G - H)

– 翻转或更换刨刀时，请转动刀头(13)，直至夹紧钳口(12)与电刨底板(8)平行。

– 用Torx扳手(10)将3个固定螺栓(11)松开1 - 2圈。无需取下夹紧钳口(12)。

– 略微转动刀头，用一块木头将刨刀(20)在侧面从刀头(13)中推出。

– 将刀头旋转180°，拆下第2个刨刀。

安装刨刀 (见图片I - J)

由于刨刀上有导引槽，所以能够确保在更换或翻转刨刀时刨刀的高度保持一致。

必要时，清洁刀头(13)中的刀座和刨刀(20)。

安装刨刀时请注意，应将其正确安装到刀头(13)的定位导向件中。

刨刀必须**对着电刨底板居中(8)**安装和对齐。接着用Torx扳手(10)拧紧3个固定螺栓(11)。请遵守夹紧钳口(12)上规定的拧紧顺序 (①②③)。

提示：投入使用前，检查固定螺栓(11)是否已拧紧。用手转动刀头(13)并确保刨刀不擦碰到任何东西。

使用HM/TC适配器

把HSS改装成HM/TC

利用HM/TC适配器，可以将安装在电刨上的HSS刨刀改为HM/TC刨刀。

– 用Torx扳手(10)旋出3个固定螺栓(11)，取下夹紧钳口(12)。

– 将固定架(16)连同刨刀(15)从刀头(13)或导槽(14)中推出。

– 去除螺栓(17)。

– 将固定架(16)和适配器(34)装入调整规(19)。固定架(16)必须卡入调整规的凹槽中 (见图片R)。

– 将HM/TC刨刀(20)从侧面推入适配器(34)。适配器(34)上的板条也必须卡入HM/TC刨刀的凹槽中 (见图片R)。

– 拧紧螺栓(17)。

– 将固定架(16)连同适配器(34)和刨刀(15)装入刀头(13)或导槽(14)中。

– 放上夹紧钳口(12)，旋入固定螺栓(11)，不要拧紧。

– 刨刀必须**对着电刨底板居中(8)**安装和对齐。接着用Torx扳手(10)拧紧3个固定螺栓(11)。请遵守夹紧钳口(12)上规定的拧紧顺序 (①②③)。

把HSS改装成HM/TC

可以将安装在电刨上的HM/TC改为HSS刨刀。

– 用Torx扳手(10)旋出3个固定螺栓(11)，取下夹紧钳口(12)。

– 将固定架(16)连同刨刀(15)或HM/TC适配器(34)从刀头(13)中推出。

– 去除螺栓(17)。

– 安装组装好的HSS刨刀 (参见“安装刨刀 (见图片E - F)”，页 30)并将其**居中对准电刨底板(8)**。

– 放上夹紧钳口(12)，用Torx扳手(10)拧紧3个固定螺栓(11)。请遵守夹紧钳口(12)上规定的拧紧顺序 (①②③)。

吸锯尘/吸锯屑

含铅的颜料以及某些木材、矿物和金属的加工废尘有害健康。机器操作者或者工地附近的人如果接触、吸入这些废尘，可能会有过敏反应或者感染呼吸道疾病。

某些尘埃 (例如加工橡木或山毛榉的废尘) 可能致癌，特别是和处理木材的添加剂 (例如木材的防腐剂等) 结合之后。只有经过专业训练的人才能够加工含石棉的物料。

– 尽可能使用适合物料的吸尘装置。

– 工作场所要保持空气流通。

– 最好佩戴P2滤网等级的口罩。

请留心并遵守贵国和加工物料有关的法规。

► **避免让工作场所堆积过多的尘垢。**尘埃容易被点燃。

定期清理锯屑排口(3)。清理堵塞的锯屑排口时，使用合适的工具，如木片、压缩空气等。

▶ **不要用手抓握排屑槽。**可能会被旋转部件伤到。为了确保最佳吸尘效果，一定要连接其他的吸尘装备或者使用集尘袋/集屑袋。

运行

运行模式

调整刨削深度

利用旋钮(2)可借助刨深刻度(1) (刻度分度 = 0.1毫米) 在0 - 2.6毫米的范围内无级调整刨深。

放置垫 (见图片N)

利用放置垫(29)可以在工作过程结束后马上放下电动工具，而不会有损坏工件或刨刀的危险。在工作过程中，将放置垫(29)翻起来并松开电刨底板(8)的后半部。

投入使用

▶ **注意电源电压！**电源的电压必须和电动工具铭牌上标示的电压一致。标记为230伏电动工具用220伏的电压可以驱动。

接通/关闭

▶ **请确保握住手柄时可以开启/关闭开关。**

将电动工具投入使用时按压电源开关(5)并按住。如需锁定被按住的电源开关(5)，请按压锁定按钮(4)。

如需关闭电动工具，松开电源开关(5)，如果其已被锁定按钮(4)锁住，则短促按压电源开关(5)，然后再次松开。

工作提示

▶ **在电动工具上进行所有操作之前都必须从插座上拔出电源插头。**

刨削过程 (见图片N)

调整所需的刨深，将电动工具以及电刨底板(8)的前半部放到工件上。

▶ **先开动电动工具后再把工具放置在工件上切割。**如果电动工具被夹在工件中，会有反弹的危险。接通电动工具电源，以均匀的进给速度在待加工表面上方移动电动工具。

只有使用低进给工作并在电刨底板上居中施加压力，才能达到最高品质的平面刨削效果。

加工硬的物料 (例如硬木) 以及利用最大刨宽时，必须设定小的刨削深度，甚至可能需要降低电刨进给速度。

进给过高不仅会降低工件表面质量，而且还可能加速排屑口阻塞。

只有锋利的刨刀才能带来良好的切削功率，并且保护电动工具。

使用内置的放置垫(29)可以在刨削过程中断后在工件的任意位置继续刨削过程：

- 放下翻下放置垫，把电动工具放在工件上的刨削中断位置上。

- 接通电动工具的电源。
- 将接触压力放在前部电刨底板上，并向前缓慢推动电动工具 (❶)。同时向上翻起放置垫 (❷)，使电刨底板的后半部重新贴到工件上。
- 以均匀的进给速度在待加工表面 (❸) 上方移动电动工具。

边缘倒棱 (见图片O)

利用前部电刨底板上的V形槽，可以方便快捷地给工件边缘倒棱。根据需要的刨削宽度，请选择合适的V形槽。把电刨的V形槽放在工件的棱边上，然后沿着棱边推动电刨。

使用的凹槽	尺寸a (毫米)
无	0 - 4
小	2 - 6
中	4 - 9
大	6 - 10

使用平行/角度限制器刨削 (见图片K - M)

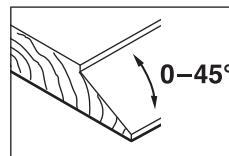
将平行限制器(21)或角度限制器(25)分别用固定螺栓(24)安装到电动工具上。分别安装后，将槽深限制器(28)用固定螺栓(27)安装到电动工具上。

松开止动螺母(23)，通过刻度(22)调节到所需的槽宽。重新拧紧止动螺母(23)。

利用槽深限制器(28)调节到所需的槽深。

多次重复刨削过程，直至达到需要的槽深为止。操作时施力点要放在电刨的侧面上。

使用角度限制器刨斜边



斜向刨槽和平面时，利用角度调整装置(26)调节到所需的刨削角度。

维修和服务

维修和清洁

▶ **在电动工具上进行所有操作之前都必须从插座上拔出电源插头。**

▶ **电动工具和通气孔必须随时保持清洁，以确保工作效率和工作安全。**

确保放置垫(29)活动自如并定期清洁。

如果碳刷耗尽了，电动工具会自动关闭。必须将电动工具寄到客户服务部门进行保养，地址请见“客户服务和应用咨询”章节。

如果必须更换连接线，务必把这项工作交给博世或者经授权的博世电动工具顾客服务执行，以避免危害机器的安全性能。

更换驱动皮带 (见图片P - Q)

拧出螺栓(6)，然后取下皮带护罩(7)。拆下磨损的驱动皮带(30)。

安装新的驱动皮带(30)前，请清洁两个皮带轮(31)和(32)。

将新的驱动皮带(30)先放到小皮带轮(32)上，接着向下按压皮带(30)，用手将其旋到大皮带轮(31)上。

注意，驱动皮带(30)应精确地在皮带轮(31)或(32)的纵向沟槽中运动。

放上皮带护罩(7)，然后拧紧螺栓(6)。

客户服务和应用咨询

本公司顾客服务处负责回答有关本公司产品的修理、维护和备件的问题。备件的分解图和信息也可查看：www.bosch-pt.com
博世应用咨询团队乐于就我们的产品及其附件问题提供帮助。

www.powertool-portal.de，适合工匠和DIY者的互联网门户网站。

如需查询和订购备件，请务必提供产品型号铭牌上的10位数货号。

香港和澳门特别行政区

罗伯特博世有限公司
香港北角英皇道625号，
21楼
客户服务热线：+852 2101 0235
传真：+852 2590 9762
电子邮件：info@hk.bosch.com
www.bosch-pt.com.hk

中国大陆

博世电动工具（中国）有限公司，中国浙江省杭州市滨江区滨康路567号
102/1F服务中心
邮政编码：310052
电话：(0571) 8887 5566 / 5588
传真：(0571) 8887 6688 x 5566# / 5588#
电邮：bsc.hz@cn.bosch.com

中华人民共和国

中国大陆
博世电动工具（中国）有限公司
博世服务中心
中国浙江省杭州市滨江区滨康路567号，
310052
电话：(0571) 8887 5566 / 5588
传真：(0571) 8887 6688 x 5566# / 5588#
电子邮件：bsc.hz@cn.bosch.com
www.bosch-pt.com.cn

处理废弃物

必须以符合环保要求的方式回收再利用电动工具、附件和包装材料。



请勿将电动工具扔到生活垃圾中！

繁體中文

安全注意事項

電動工具一般安全注意事項

警告 請詳讀工作書及電動工具的所有安全警告與使用說明。若不遵照以下列出的指示，將可能導致電擊、著火和/或人員重傷。

保存所有警告和說明書以備查閱。

在所有警告中，「電動工具」此一名詞泛指：以市電驅動的（有線）電動工具或是以電池驅動的（無線）電動工具。

工作場地的安全

- ▶ 保持工作場地清潔和明亮。混亂和黑暗的場地會引發事故。
- ▶ 不要在易爆環境，如有易燃液體、氣體或粉塵的環境下操作電動工具。電動工具產生的火花會點燃粉塵或氣體。
- ▶ 讓兒童和旁觀者離開後操作電動工具。注意力不集中會使您失去對工具的控制。

電氣安全

- ▶ 電動工具插頭必須與插座相配。絕不能以任何方式改裝插頭。需接地的電動工具不能使用任何轉換插頭。未經改裝的插頭和相配的插座將減少電擊危險。
- ▶ 避免人體接觸接地表面，如管道、散熱片和冰箱。如果您身體接地會增加電擊危險。
- ▶ 不得將電動工具暴露在雨中或潮濕環境中。水進入電動工具將增加電擊危險。
- ▶ 不得濫用電線。絕不能用電線搬運、拉動電動工具或拔出其插頭。使電線遠離熱源、油、銳利邊緣或移動零件。受損或纏繞的軟線會增加電擊危險。
- ▶ 當在戶外使用電動工具時，使用適合戶外使用的延長線。適合戶外使用的軟線，將減少電擊危險。
- ▶ 如果在潮濕環境下操作電動工具是不可避免的，應使用剩餘電流動作保護器（RCD）。使用RCD可降低電擊危險。

人身安全

- ▶ 保持警覺，當操作電動工具時關注所從事的操作並保持清醒。當您感到疲倦，或在有藥物、酒精或治療反應時，不要操作電動工具。在操作電動工具時瞬間的疏忽會導致嚴重人身傷害。
- ▶ 使用個人防護裝置。始終佩戴護目鏡。安全裝置，諸如適當條件下使用防塵面具、防滑安全鞋、安全帽、聽力防護等裝置能減少人身傷害。
- ▶ 防止意外起動。確保開關在連接電源和/或電池盒、拿起或搬運工具時處於關閉位置。手指放在已接通電源的開關上或開關處於接通時插入插頭可能會導致危險。

- ▶ 在電動工具接通之前，拿掉所有調節鑰匙或扳手。遺留在電動工具旋轉零件上的扳手或鑰匙會導致人身傷害。
- ▶ 手不要伸展得太長。時刻注意立足點和身體平衡。這樣在意外情況下能很好地控制電動工具。
- ▶ 著裝適當。不要穿寬鬆衣服或佩戴飾品。讓您的衣物及頭髮遠離運動部件。寬鬆衣服、飾物或長髮可能會捲入運動部件中。
- ▶ 如果提供了與排屑、集塵設備連接用的裝置，要確保他們連接完好且使用得當。使用這些裝置可減少塵屑引起的危險。
- ▶ 切勿因經常使用工具所累積的熟練感而過度自信，輕忽工具的安全守則。任何一個魯莽的舉動都可能瞬間造成人員重傷。

電動工具使用和注意事項

- ▶ 不要濫用電動工具，根據用途使用適當的電動工具。選用適當設計的電動工具會使您工作更有效、更安全。
- ▶ 如果開關不能開啟或關閉工具電源，則不能使用該電動工具。不能用開關來控制的電動工具是危險的且必須進行修理。
- ▶ 在進行任何調整、更換配件或貯存電動工具之前，必須從電源上拔掉插頭並/或取出電池盒。這種防護性措施將減少工具意外起動的危險。
- ▶ 將閒置不用的電動工具貯存在兒童所及範圍之外，並且不要讓不熟悉電動工具或對這些說明不瞭解的人操作電動工具。電動工具在未經培訓的用戶手中是危險的。
- ▶ 保養電動工具與配備。檢查運動件是否調整到位或卡住，檢查零件破損情況和影響電動工具運行的其他狀況。如有損壞，電動工具應在使用前修理好。許多事故由維護不良的電動工具引發。
- ▶ 保持切削刀具鋒利和清潔。保養良好的有鋒利切削刃的刀具不易卡住而且容易控制。
- ▶ 按照使用說明書，考慮作業條件和進行的作業來使用電動工具、配件和工具的刀頭等。將電動工具用於那些與其用途不符的操作可能會導致危險。
- ▶ 把手及握持區應保持乾燥、潔淨，且不得沾染任何油液或油脂。易滑脫的把手及握持區將無法讓您在發生意外狀況時安全地抓緊並控制工具。

檢修

- ▶ 將您的電動工具送交專業維修人員，必須使用同樣的備件進行更換。這樣將確保所維修的電動工具的安全性。

電刨刀安全注意事項

- ▶ 等刨刀停止運動后再放置工具。外露的刨刀可能會嵌入表面而引發可能的失控和嚴重的傷害事故。
- ▶ 因為刀片可能會接觸到本身的電線，請利用絕緣握持表面抓住電動工具。切割「導電」電線可能導致電動工具外露的金屬部件「導電」，進而使操作人員遭受電擊。

- ▶ 請用夾具或其他可行方式將工件穩固地架在可靠平台上。用手握持工件或將它貼靠在您身上會因無法確實固定而導致失控。
- ▶ 先啟動電動工具後再把工具放置在工件上切割。如果電動工具被夾在工件中，會有反彈的危險。
- ▶ 切勿徒手抓握出屑口。此處有旋轉部件，可能造成您受傷。
- ▶ 切勿在金屬物體、釘子或螺釘上方進行刨削。否則刨刀和刨刀軸可能受損並且會加大震動。
- ▶ 使用合適的偵測裝置偵察隱藏的電線，或者向當地的相關單位尋求支援。接觸電線可能引起火災並讓操作者觸電。若損壞瓦斯管會引起爆炸。鑿穿水管不僅會造成嚴重的財物損失，也可能導致觸電。
- ▶ 進行刨削時，請讓刨刀底部始終平貼在工件上。否則刨刀可能被工件絆住導致操作者受傷。
- ▶ 作業期間請用雙手牢牢握緊電動工具並保持穩固。使用雙手才能夠更穩定地操作電動工具。

產品和功率描述



請詳讀所有安全注意事項和指示。如未遵守安全注意事項與指示，可能導致火災、人員遭受電擊及/或重傷。請留意操作說明書中最前面的圖示。

依規定使用機器

本電動工具適合在穩固的工作平臺上刨削木材，例如木條和木板。它也可以刨斜邊和刨削凹槽。

插圖上的機件

機件的編號和電動工具詳解圖上的編號一致。

- (1) 刨深刻度尺
- (2) 刨深設定旋鈕（配備絕緣握柄）
- (3) 出屑口
- (4) 起停開關的鎖止按鈕
- (5) 起停開關
- (6) 皮帶護罩的螺栓
- (7) 皮帶護罩
- (8) 刨刀底板
- (9) V形槽
- (10) 星形扳手
- (11) 夾緊鉗口的固定螺栓
- (12) 夾緊鉗口
- (13) 刨刀頭
- (14) 刨刀的導槽
- (15) 高速鋼刨刀（HSS）
- (16) 高速鋼刨刀（HSS）的固定架
- (17) 高速鋼刨刀（HSS）固定架的螺栓
- (18) 高速鋼刨刀（HSS）的磨刃裝置
- (19) 高速鋼刨刀（HSS）的定位規
- (20) 硬金屬碳化鎢刨刀（HM/TC）^{A)}

- (21) 平行擋塊
- (22) 槽寬刻度尺
- (23) 槽寬調整器的防鬆螺母
- (24) 平行 / 角度擋塊的固定螺栓
- (25) 角度擋塊^{A)}
- (26) 角度調整器的防鬆螺母^{A)}
- (27) 槽深擋塊的固定螺栓^{A)}
- (28) 槽深擋塊^{A)}
- (29) 暫放腳墊
- (30) 驅動皮帶
- (31) 大皮帶輪
- (32) 小皮帶輪
- (33) 把手 (絕緣握柄)
- (34) 由高速鋼刨刀 (HSS) 改用碳化鎢刨刀 (TC) 時需要用到的轉接器^{A)}

A) 圖表或說明上提到的配件，並不包含在基本的供貨範圍中。本公司的配件清單中有完整的配件供應項目。

技術性數據

電刨刀		GHO 6500
零件編號		0 601 596 0..
額定輸入功率	W	650
無負載轉速	次 / 分	16500
刨削深度	mm	0 - 2.6
槽深	mm	0 - 9
最大刨寬	mm	82
重量符合 EPTA-Procedure 01:2014	kg	2.8
絕緣等級		□/II

本說明書提供的參數是以 230 伏特為依據，於低電壓地區，此數據有可能不同。

安裝

- ▶ 維修電動工具或換裝零、配件之前，務必從插座上拔出插頭。

選用刨刀

您可以在本電動工具上換裝不同的刨刀。
電動工具裝上轉接器 (34) (配件) 後即可由高碳鋼刨刀 (HSS) (15) 換裝為硬金屬碳化鎢刨刀 (HM/TC) (20)。

更換刨刀時務必同時更換兩片刨刀，否則會因為不平衡而造成震動，並且會縮減電動工具的使用壽命。

更換高速鋼刨刀 (HSS)

- ▶ 更換刨刀時，請您務必小心。請勿碰觸刨刀的刀刃。您可能會被鋒利的刀刃割傷。

拆卸刨刀 (請參考圖 A - C)

- 若要更換刨刀，請將刨刀頭 (13) 旋轉至夾緊鉗口 (12) 與刨刀底板 (8) 平行的位置。
- 用星形扳手 (10) 將 3 顆固定螺栓 (11) 旋出，接著將夾緊鉗口 (12) 取下。
- 將固定架 (16) 連同刨刀 (15) 一起從刨刀頭 (13) 或導槽 (14) 中推出來。
- 將刨刀頭旋轉 180°，然後拆卸第 2 片刨刀。

提示：汰換或重新磨利刨刀之前，請先鬆開固定螺栓 (17)，將拆除固定架 (16)。

重新磨利高碳鋼刨刀 (HSS) (請參考圖 D)

利用磨刀裝置 (18) (配件) 和一般市售磨刀石，即可將已磨損或已變鈍的高碳鋼刨刀 (HSS) 重新磨利。

把兩片刨刀裝在磨刀裝置上，並用蝶翼螺絲將刨刀固定好。務必把兩片刨刀推入至最低位置。

在磨石上均勻地來回移動安裝在磨刀裝置上的刨刀，請輕輕往磨石施壓。

提示：重新磨利時最多可磨掉 6 mm，刨刀寬度不得小於 23 mm。如果刨刀寬度不足，必須同時更換兩片刨刀。

安裝刨刀 (請參考圖 E - F)

在裝上全新或已重新磨利的刨刀之前，請先清潔刨刀頭 (13)，並視需要清潔刨刀 (15) 與固定架 (16)。如果刨刀上沾滿樹脂，得使用酒精或石油加以清潔。

提示：安裝前，全新或已重新磨利的刨刀一律必須先校正至正確高度。

定位規 (19) (配件) 用來調整刨刀高度。將刨刀 (15) 和固定架 (16) 放置在定位規上。請注意：固定架 (16) 應嵌入專門為其設置的凹槽內。將刨刀 (15) 頂向擋塊，然後用固定螺栓 (17) 將固定架 (16) 固定在這個位置上。於是刨刀便已調整至正確高度了。

裝入並校正其位置，刨刀必須置中對齊刨刀底板 (8)。接著用星形扳手 (10) 旋緊 3 顆固定螺栓 (11)。此時，請您遵照夾緊鉗口 (12) 上標示的旋緊順序 (①②③)。

提示：讓機器開始運轉前，請檢查固定螺栓 (11) 是否固定牢靠。用手旋轉刨刀頭 (13) 然後確認刨刀不會刮擦到任何地方。

更換硬金屬碳化鎢刨刀 (HM/TC)

- ▶ 更換刨刀時，請您務必小心。請勿碰觸刨刀的刀刃。您可能會被鋒利的刀刃割傷。

只能使用博世原廠的硬金屬碳化鎢刨刀 (HM/TC)。

由硬金屬 (HM/TC) 製成的刨刀有兩個刀刃，可以翻面使用。兩個刀刃都已變鈍時，須更換刨刀 (20)。硬金屬碳化鎢刨刀 (HM/TC) 無法重新磨利。

拆卸刨刀 (請參考圖 G - H)

- 若要更換刨刀或將它翻面，請將刨刀頭 (13) 旋轉至夾緊鉗口 (12) 與刨刀底板 (8) 平行的位置。
- 用星形扳手 (10) 將 3 顆固定螺栓 (11) 鬆開 1 - 2 圈左右。夾緊鉗口 (12) 不必取下。

- 稍微轉動刨刀頭，然後利用一個木塊從側邊將刨刀 (20) 從刨刀頭 (13) 推出來。
- 將刨刀頭旋轉 180° 接著再拆卸第 2 片刨刀。

安裝刨刀 (請參考圖 I - J)

由於刨刀上有導槽，所以能夠確保在更換刨刀或將它翻面後，刨刀的高度都能夠保持一致。

必要時請清潔刨刀頭 (13) 裡的刀座以及刨刀 (20)。裝入刨刀時請注意：刨刀必須正確位於刨刀頭 (13) 的定位導槽內。

裝入並校正其位置，刨刀必須**置中對齊刨刀底板 (8)**。接著用星形扳手 (10) 旋緊 3 顆固定螺栓 (11)。此時，請您遵照夾緊鉗口 (12) 上標示的旋緊順序 (①②③)。

提示：讓機器開始運轉前，請檢查固定螺栓 (11) 是否固定牢靠。用手旋轉刨刀頭 (13) 然後確認刨刀不會刮擦到任何地方。

使用硬金屬碳化鎢 (HM/TC) 轉接器

將高碳鋼刨刀 (HSS) 換裝成硬金屬碳化鎢刨刀 (HM/TC)

配備高碳鋼刨刀 (HSS) 的電刨刀利用硬金屬碳化鎢 (HM/TC) 轉接器，即可換裝成硬金屬碳化鎢刨刀 (HM/TC)。

- 用星形扳手 (10) 將 3 顆固定螺栓 (11) 旋出，接著將夾緊鉗口 (12) 取下。
- 將固定架 (16) 連同刨刀 (15) 一起從刨刀頭 (13) 或導槽 (14) 中推出來。
- 拆除螺栓 (17)。
- 將固定架 (16) 和轉接器 (34) 裝進定位規 (19) 中。固定架 (16) 必須嵌入定位規上的凹槽內 (請參考圖 R)。
- 從側邊將硬金屬碳化鎢刨刀 (HM/TC) (20) 推入轉接器 (34) 中。轉接器上的凸邊條 (34) 必須嵌進硬金屬碳化鎢刨刀 (HM/TC) 上的凹槽內 (請參考圖 R)。
- 旋緊螺栓 (17)。
- 將固定架 (16) 連同轉接器 (34) 和刨刀 (15) 一起裝進刨刀頭 (13) 或導槽 (14) 中。
- 放上夾緊鉗口 (12) 然後將固定螺栓 (11) 旋入但不要把旋緊。
- 裝入並校正刨刀位置，必須**置中對齊刨刀底板 (8)**。接著用星形扳手 (10) 旋緊 3 顆固定螺栓 (11)。此時，請您遵照夾緊鉗口 (12) 上標示的旋緊順序 (①②③)。

將硬金屬碳化鎢刨刀 (HM/TC) 換裝成高碳鋼刨刀 (HSS)

配備硬金屬碳化鎢刨刀 (HM/TC) 的電刨刀可換裝成高碳鋼刨刀 (HSS)。

- 用星形扳手 (10) 將 3 顆固定螺栓 (11) 旋出，接著將夾緊鉗口 (12) 取下。
- 將固定架 (16) 連同刨刀 (15) 或硬金屬碳化鎢 (HM/TC) 轉接器 (34) 一起從刨刀頭 (13) 中推出來。
- 拆除螺栓 (17)。

- 安裝已預先組裝好的高碳鋼刨刀 (HSS) (參見「安裝刨刀 (請參考圖 E - F)」, 頁 34) 並校正其位置，它應**置中對齊刨刀底板 (8)**。
- 放上夾緊鉗口 (12) 然後用星形扳手 (10) 鎖緊 3 顆固定螺栓 (11)。此時，請您遵照夾緊鉗口 (12) 上標示的旋緊順序 (①②③)。

吸除廢塵 / 料屑

含鉛顏料、部分木材種類、礦石和金屬的加工廢塵有害健康。機器操作者或施工現場附近的人員如果接觸、吸入這些廢塵，可能會引發過敏反應或感染呼吸道疾病。

某些塵埃 (例如加工橡木或山毛櫸的廢塵) 可能致癢，特別是與處理木材的添加劑 (例如木材的防腐劑等) 結合之後。唯有受過專業訓練的人才能夠進行含石棉物料的加工。

- 儘可能使用適合物料的吸塵裝置。
- 工作場所要保持空氣流通。
- 建議佩戴 P2 過濾等級的口罩。

請留意並遵守貴國的物料加工相關法規。

▶ **避免讓工作場所堆積過多的塵垢。**塵埃容易被點燃。

請定期清潔排屑口 (3)。請使用適當工具清潔堵塞的排屑口，例如木塊、壓縮空氣等等。

▶ **切勿徒手抓握出屑口。**此處有旋轉部件，可能造成您受傷。

為了確保最佳的吸塵效果，請使用外接式吸塵裝備或者使用集塵袋 / 集屑袋。

操作

操作模式

調整刨削深度

利用旋鈕 (2) 即可依照刨削深度尺 (1) (一格刻度 = 0.1 mm) 無段調整刨削深度 (設定值介於 0 - 2.6 mm)。

暫放腳墊 (請參考圖 N)

暫放腳墊 (29) 可讓您在完成工作程序後直接擱置電動工具，並確保不會對工件或刨刀造成任何損壞。進行加工時，暫放腳墊 (29) 往上翻轉，刨刀底板 (8) 後部因而得以平放。

操作機器

▶ **請注意電源電壓！**電源的電壓必須和電動工具銘牌上標示的電壓一致。標示為 230 V 的電動工具亦可接上 220 V 電源。

啟動 / 關閉

▶ **請確定您不用放開把手，就能操作起停開關。**按下起停開關 (5) 不要放開，即可讓電動工具**持續運轉**。
若要讓起停開關 (5) 保持在壓下狀態，請按壓鎖止按鈕 (4)。

若要關閉電動工具，請直接放開起停開關 (5) 即可，或者您若有使用鎖止按鈕 (4)，則請在起停開關 (5) 上短按一下後放開。

作業注意事項

- ▶ 維修電動工具或換裝零、配件之前，務必從插座上拔出插頭。

刨削程序 (請參考圖 N)

請設定好所需刨削深度，然後將電動工具的刨刀底板 (8) 前部貼放在工件上。

- ▶ 先啟動電動工具後再把工具放置在工件上切割。

如果電動工具被夾在工件中，會有反彈的危險。開動電動工具，並且施力均勻地在工件的表面上推動機器。

唯有適度地輕推機器才能夠達到最佳的平面刨削效果，並且操作機器時要把施力點放在電刨刀的底板的中央位置。

處理硬木等較硬材質時以及以最大刨寬進行加工時，刨削深度僅可設為偏小值，必要時請您放慢電刨刀的推進速度。

推力過猛不僅會削減工件表層的物料，而且會加速排屑口阻塞。

唯有使用鋒利的刨刀才能夠提高刨削功率，並保護電動工具。

一體成型的暫放腳墊 (29) 可讓您在中斷加工後移至工件上的任意位置再繼續進行刨削：

- 放下暫放腳墊，把電動工具放在工件的刨削中斷位置上。
- 啟動電動工具。
- 將施力點轉移至前方刨刀底板，然後將電動工具慢慢往前推 (1)。此時暫放腳墊將往上翻轉 (2)，於是刨刀底板後部可重新貼平在工件上。
- 在待加工的表面上，施力均勻地推動本電動工具 (3)。

刨邊角 (請參考圖 O)

前方刨刀底板中的 V 形凹槽可讓您簡單快速地刨削工件邊緣。請根據您所需的刨寬，使用對應的 V 形凹槽。請將電刨刀的 V 形凹槽靠在工件邊緣上，然後將電刨刀平貼並沿著這個邊緣推進。

所使用的凹槽	尺寸 a (mm)
無	0 - 4
小	2 - 6
中	4 - 9
大	6 - 10

使用平行/角度擋塊刨削 (請參考圖 K - M)

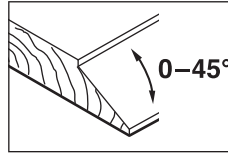
安裝平行擋塊 (21) 或角度擋塊 (25)，此時需使用固定螺栓 (24) 將擋塊鎖在電動工具上。請依照使用需求，以固定螺栓 (27) 將槽深擋塊 (28) 安裝在電動工具上。

鬆開防鬆螺母 (23)，請至刻度尺 (22) 上，將刨寬調整為所需值。將防鬆螺母 (23) 重新旋緊。

利用槽深擋塊 (28) 將電刨刀適當調整至所需的槽深。

重複地進行刨削程序，直到達到所需槽深為止。操作機器時施力點要放在電刨刀側邊上。

使用角度擋塊刨斜邊



在凹槽上或平面上刨斜邊時，請利用角度調整器 (26) 調至所需傾斜角度。

維修和服務

維修和清潔

- ▶ 維修電動工具或換裝零、配件之前，務必從插座上拔出插頭。

- ▶ 電動工具和通風口都必須保持清潔，這樣才能夠提高工作品質和安全性。

暫放腳墊 (29) 應保持活動自如，請您定期進行清潔。

如果碳刷耗盡，電動工具將自動關機。電動工具必須送回顧客服務處進行保養，詳細的寄送地址請參閱「顧客服務處和顧客諮詢中心」。

如果必須更換連接線，請務必交由博世或者經授權的博世電動工具顧客服務執行，以避免危害機器的安全性能。

更換驅動皮帶 (請參考圖 P - Q)

旋出螺栓 (6) 然後取下皮帶護罩 (7)。拆下已磨損的驅動皮帶 (30)。

安裝新的驅動皮帶 (30) 之前，請先將兩個皮帶輪 (31) 和 (32) 清潔乾淨。

將新的驅動皮帶 (30) 先掛到小皮帶輪 (32) 上，接著再藉由徒手旋轉將驅動皮帶 (30) 掛到大皮帶輪 (31)。

請注意：驅動皮帶 (30) 應正好在皮帶輪 (31) 及 (32) 的溝紋中運轉。

裝上皮帶護罩 (7) 並旋緊螺栓 (6)。

顧客服務處和顧客諮詢中心

本公司顧客服務處負責回答有關本公司產品的維修、維護和備用零件的問題。如需分解圖和備件的資料，請至以下網頁：www.bosch-pt.com

若對本公司產品及其配件有任何疑問，博世應用諮詢小組很樂意為您提供協助。

工匠與 DIY 玩家網路平台入口：www.powertool-portal.de

當您需要諮詢或訂購備用零件時，請務必提供本產品銘牌上的 10 位零件編號。

台灣

台灣羅伯特博世股份有限公司

建國北路一段90號6樓

台北市10491

電話：(02) 2515 5388

傳真：(02) 2516 1176

www.bosch-pt.com.tw

制造商地址:

Robert Bosch Power Tools GmbH
 羅伯特·博世電動工具有限公司
 70538 Stuttgart / GERMANY
 70538 斯圖加特 / 德國

廢棄物處理

必須以符合環保的方式，回收再利用損壞的機器、配件和廢棄的包裝材料。



不可以把電動工具丟入一般的家庭垃圾中。

ไทย**คำเตือนเพื่อความปลอดภัย****คำเตือนเพื่อความปลอดภัยทั่วไปสำหรับเครื่องมือไฟฟ้า****⚠ คำเตือน** อ่านคำเตือนเพื่อความปลอดภัย คำแนะนำ ภาพประกอบ และข้อมูล

จำเพาะทั้งหมดที่จัดส่งมาพร้อมกับเครื่องมือไฟฟ้า การไม่ปฏิบัติตามคำแนะนำทั้งหมดที่ระบุไว้ด้านล่างนี้อาจทำให้ถูกไฟฟ้าดูด เกิดไฟไหม้ และ/หรือได้รับบาดเจ็บอย่างร้ายแรง

เก็บรักษาคำเตือนและคำสั่งทั้งหมดสำหรับเปิดอ่านในภายหลัง

คำว่า "เครื่องมือไฟฟ้า" ในคำเตือนหมายถึง เครื่องมือไฟฟ้าของทานที่ทำงานด้วยพลังงานไฟฟ้าจากแหล่งจ่ายไฟหลัก (มีสายไฟฟ้า) และเครื่องมือไฟฟ้าที่ทำงานด้วยพลังงานไฟฟ้าจากแบตเตอรี่ (ไร้สาย)

ความปลอดภัยในสถานที่ทำงาน

- ▶ ศึกษาศูนย์ที่ทำงานให้สะอาดและมีไฟส่องสว่างดี สถานที่ที่มีมืดหรือกรงรั้งนำมาซึ่งอุบัติเหตุ
- ▶ อย่าใช้เครื่องมือไฟฟ้าทำงานในสภาพบรรยากาศที่จุดติดไฟได้ เช่น ในที่มีขี้ของเหลวไวไฟ ก๊าซ หรือฝุ่น เมื่อใช้เครื่องมือไฟฟ้าจะเกิดประกายไฟซึ่งอาจจุดฝุ่นหรือไอให้ลุกเป็นไฟได้
- ▶ ขณะใช้เครื่องมือไฟฟ้าทำงาน ต้องกันเด็กและผู้ยี่นดูให้ออกห่าง การหันความสนใจอาจทำให้ท่านขาดการควบคุมเครื่องได้

ความปลอดภัยเกี่ยวกับไฟฟ้า

- ▶ ปลั๊กของเครื่องมือไฟฟ้าต้องเหมาะสมพอดีกับเต้าเสียบ อย่าคิดแปลงปลั๊กไม่ว่าในลักษณะใดๆ อย่างเด็ดขาด อย่าใช้ปลั๊กพ่วงต่อๆ กับเครื่องมือไฟฟ้าที่มีสายดิน ปลั๊กที่ไม่ดีแปลงและเต้าเสียบที่เข้ากันช่วยลดความเสี่ยงจากการถูกไฟฟ้าดูด
- ▶ หลีกเลี่ยงอย่าให้ร่างกายสัมผัสกับพื้นผิวที่ต่อสายดินหรือลงกราวด์ไว้ เช่น ท่อ เครื่องทำความร้อน เต้า และตู้เย็น

จะเสี่ยงอันตรายจากการถูกไฟฟ้าดูดมากขึ้นหากกระแสไฟฟ้าวิ่งผ่านร่างกายของท่านลงดิน

- ▶ อย่าให้เครื่องมือไฟฟ้าถูกฝนหรืออยู่ในสภาพเปียกชื้น หากน้ำเข้าในเครื่องมือไฟฟ้า จะเพิ่มความเสี่ยงจากการถูกไฟฟ้าดูด
- ▶ อย่าใช้สายไฟฟ้าในทางที่ผิด อย่าใช้สายไฟฟ้าเพื่อยก ดึง หรือถอดปลั๊กเครื่องมือไฟฟ้า กันสายไฟฟ้าออกจากความร้อน น้ำมัน ขอบแหลมคม หรือชิ้นส่วนที่เคลื่อนที่ สายไฟฟ้าที่ชำรุดหรือพันกันยุ่งเพิ่มความเสี่ยงจากการถูกไฟฟ้าดูด
- ▶ เมื่อใช้เครื่องมือไฟฟ้าทำงานกลางแจ้ง ให้ใช้สายไฟต่อที่เหมาะสมสำหรับใช้งานกลางแจ้ง การใช้สายไฟต่อที่เหมาะสมสำหรับใช้งานกลางแจ้ง ช่วยลดอันตรายจากการถูกไฟฟ้าดูด
- ▶ หากไม่สามารถหลีกเลี่ยงการใช้เครื่องมือไฟฟ้าทำงานในสถานที่เปียกชื้นได้ ให้ใช้สวิตช์ตัดวงจรเมื่อเกิดการรั่วไหลของไฟฟ้าจากสายดิน (RCD) การใช้สวิตช์ตัดวงจรเมื่อเกิดการรั่วไหลของไฟฟ้าจากสายดินช่วยลดความเสี่ยงต่อการถูกไฟฟ้าดูด

ความปลอดภัยของบุคคล

- ▶ ท่านต้องอยู่ในสภาพเตรียมพร้อม ระวังระมัดระวังในสิ่งที่ท่านกำลังทำอยู่ และมีสติขณะใช้เครื่องมือไฟฟ้าทำงาน อย่าใช้เครื่องมือไฟฟ้าขณะที่ท่านกำลังเหนื่อย หรืออยู่ภายใต้การครอบงำของฤทธิ์ของยาเสพติด แอลกอฮอล์ และยา เมื่อใช้เครื่องมือไฟฟ้าทำงานในชั่วโมงที่ท่านขาดความเอาใจใส่อาจทำให้บุคคลบาดเจ็บอย่างรุนแรงได้
- ▶ ใช้อุปกรณ์ปกป้องร่างกาย สวมแว่นตาป้องกันเสมอ อุปกรณ์ปกป้อง เช่น หมวกกันน็อก รองเท้านิรภัย หมวกแข็ง หรืออุปกรณ์ป้องกันเสียงดังที่ใช้ตามความเหมาะสมกับสภาพการทำงาน จะลดการบาดเจ็บทางร่างกาย
- ▶ ป้องกันการติดเครื่องโดยไม่ตั้งใจ ตรวจสอบให้แน่ใจว่าสวิตช์อยู่ในตำแหน่งปิดก่อนเชื่อมต่อเข้ากับแหล่งจ่ายไฟ และ/หรือแบตเตอรี่แคชชุกหรือถือเครื่องมือ การถือเครื่องโดยใช้นิ้วหัวที่สวิตช์ หรือเสียบปลั๊กไฟฟ้าขณะที่สวิตช์เปิดอยู่ อาจนำไปสู่อุบัติเหตุที่ร้ายแรงได้
- ▶ นำเครื่องมือปรับแต่งหรือประแจปากตายออกก่อนเปิดสวิตช์เครื่องมือไฟฟ้า เครื่องมือหรือประแจปากตายที่วางอยู่กับส่วนของเครื่องที่กำลังหมุนจะทำให้บุคคลบาดเจ็บได้
- ▶ อย่าเอื้อมไกลเกินไป ตั้งเท้าขึ้นที่มั่นคงและวางน้ำหนักให้สมดุลตลอดเวลา ในลักษณะนี้ท่านสามารถควบคุมเครื่องมือไฟฟ้าในสถานการณ์ที่ไม่คาดคิดได้ดีกว่า
- ▶ แต่งกายอย่างเหมาะสม อย่าใส่เสื้อผ้าหลวมหรือสวมเครื่องประดับ เอาผมและเสื้อผ้าออกจากชิ้นส่วนที่เคลื่อนที่ เสื้อผ้าหลวม เครื่องประดับ และผมยาวอาจเข้าไปติดในชิ้นส่วนที่เคลื่อนที่
- ▶ หากเครื่องมือไฟฟ้ามีข้อเชื่อมต่อกับเครื่องดูดฝุ่นหรือเครื่องเก็บผง ให้ตรวจสอบให้แน่ใจว่าได้เชื่อมต่อและใช้งานอย่างถูกต้อง การใช้อุปกรณ์ดูดฝุ่นช่วยลดอันตรายที่เกิดจากฝุ่นได้
- ▶ เมื่อใช้งานเครื่องมืออยู่ครั้งจะเกิดความคุ้นเคย อย่าให้ความคุ้นเคยทำให้ท่านเกิดความชะล่าใจและละเลยกฎเกณฑ์ตามความปลอดภัยในการใช้งานเครื่อง การ

ทำงานอย่างไม่มีมาตรการจึงอาจทำให้เกิดการบาดเจ็บอย่างร้ายแรงภายในเสี้ยววินาที

การใช้และการดูแลรักษาเครื่องมือไฟฟ้า

- ▶ **อย่างสิ้นกำลังเครื่องมือไฟฟ้า ใช้เครื่องมือไฟฟ้าที่ถูกตรงตรงตามลักษณะงานของท่าน** เครื่องมือไฟฟ้าที่ถูกต้องจะทำงานได้ดีกว่าและปลอดภัยกว่าในระดับสมรรถภาพที่ออกแบบไว้
- ▶ **อย่าใช้เครื่องมือไฟฟ้าถ้าสวิทช์ไม่สามารถเปิดปิดได้** เครื่องมือไฟฟ้าที่ไม่สามารถควบคุมการเปิดปิดด้วยสวิทช์ได้ เป็นเครื่องมือไฟฟ้าที่ไม่ปลอดภัยและต้องส่งซ่อมแซม
- ▶ **ก่อนปรับแต่งเครื่อง เปลี่ยนอุปกรณ์ประกอบ หรือเก็บเครื่องเข้าที่ ต้องถอดปลั๊กออกจากแหล่งจ่ายไฟ และ/หรือถอดแบตเตอรี่เพื่อออกจากเครื่องมือไฟฟ้าหากถอดออกได้** มาตรการป้องกันเพื่อความปลอดภัยนี้ช่วยลดความเสี่ยงจากการติดเครื่องโดยไม่ตั้งใจ
- ▶ **เมื่อเลิกใช้งานเครื่องมือไฟฟ้า ให้เก็บเครื่องไว้ในที่เด็กหยิบไม่ถึง และไมอนุญาตให้บุคคลที่ไม่คุ้นเคยกับเครื่องมือหรือบุคคลที่ไม่ได้อ่านคำแนะนำนี้ใช้เครื่องมือไฟฟ้า** ไฟฟ้าเป็นของอันตรายหากตกอยู่ในมือของผู้ใช้ที่ไม่ได้รับการฝึกฝน
- ▶ **บำรุงรักษาเครื่องมือไฟฟ้าและอุปกรณ์ประกอบ** ตรวจซ่อมชิ้นส่วนที่เคลื่อนที่ว่างไม่ตรงแนวหรือติดขัดหรือไม่ ตรวจหาการแตกหักของชิ้นส่วนและสภาพอื่นใดที่อาจมีผลต่อการทำงานของเครื่องมือไฟฟ้า หากชำรุดต้องส่งเครื่องมือไฟฟ้าไปซ่อมแซมก่อนใช้งาน อุบัติเหตุหลายอย่างเกิดขึ้นเนื่องจากดูแลรักษาเครื่องไม่ดีพอ
- ▶ **รักษาเครื่องมือตัดให้คมและสะอาด** หากบำรุงรักษาเครื่องมือที่มีขอบตัดแหลมคมอย่างถูกต้องจะสามารถตัดได้ลื่นไม่ติดขัดและควบคุมได้ง่ายกว่า
- ▶ **ใช้เครื่องมือไฟฟ้า อุปกรณ์ประกอบ เครื่องมือ และอุปกรณ์อื่นๆ ตรงตามคำแนะนำเหล่านี้ โดยคำนึงถึงเงื่อนไขการทำงานและงานที่จะทำ** การใช้เครื่องมือไฟฟ้าทำงานที่ต่างไปจากวัตถุประสงค์การใช้งานของเครื่อง อาจนำไปสู่สถานการณ์ที่เป็นอันตรายได้
- ▶ **ดูแลตามจับและพื้นผิวจับให้แห้ง สะอาด และปราศจากคราบน้ำมันและจาระบี** ตามจับและพื้นผิวจับที่ลื่นทำให้หยิบจับได้ไม่ปลอดภัยและไม่สามารถควบคุมเครื่องมือในสถานการณ์ที่ไม่คาดคิด

การบริการ

- ▶ **ส่งเครื่องมือไฟฟ้าของท่านเข้ารับบริการจากช่างซ่อมที่มีคุณสมบัติเหมาะสม โดยใช้ช่องโหลที่เหมือนกันเท่านั้น** ในลักษณะนี้ท่านจะแน่ใจได้ว่าเครื่องมือไฟฟ้าอยู่ในสภาพที่ปลอดภัย

คำเตือนเพื่อความปลอดภัยสำหรับกบไสไม้

- ▶ **ต้องรอให้ใบตัดหยุดนิ่งอยู่กับที่ก่อนวางเครื่องลงบนพื้น** ใบตัดที่ไหลออกมาและที่หมุนอยู่อาจชนเข้ากับพื้นผิวซึ่งอาจทำให้สูญเสียการควบคุมและได้รับบาดเจ็บสาหัส
- ▶ **จับเครื่องมือไฟฟ้าตรงพื้นผิวจับที่หมุนวนเนื่องจากใบตัดอาจสัมผัสสายไฟฟ้าของตัวเอง** หากตัดสายที่ "มีกระแสไฟฟ้า" ไหลผ่าน จะทำให้ชิ้นส่วนโลหะที่ไม่ได้หุ้ม

ฉนวนของเครื่องมือไฟฟ้าเกิด "มีกระแสไฟฟ้า" ด้วย และส่งผลให้ชิ้นงานเครื่องถูกไฟฟ้าดูดได้

- ▶ **ใช้เครื่องมือหรือวิธีอื่นที่ได้ผลเพื่อยึดและหนีชิ้นงานกับแท่นที่มั่นคง** การใช้มือจับชิ้นงานหรือยื่นไว้กับร่างงานจะไม่มั่นคง และอาจทำให้สูญเสียการควบคุม
- ▶ **จับเครื่องมือไฟฟ้าเข้าหาชิ้นงานเมื่อเครื่องเปิดสวิตช์** หอ่ยเท่านั้น มิฉะนั้นอาจได้รับอันตรายจากการตีกลับหากเครื่องมือตัดติดขัดอยู่ในชิ้นงาน
- ▶ **อย่ายื่นมือเข้าไปในช่องพ่นชิ้นบดออก** ท่านอาจได้รับบาดเจ็บจากชิ้นส่วนที่หมุนอยู่
- ▶ **อย่าใส่สนนวัสดุที่เป็นโลหะ ตะปู หรือสกรู อย่างเด็ดขาด** ใบตัดและเพล่าใบตัดอาจเสียหายและทำให้สั่นตัวมากขึ้น
- ▶ **ใช้เครื่องตรวจจับที่เหมาะสมเพื่อตรวจหาสายไฟฟ้าหรือท่อสารารณูปโภคที่อาจซ่อนอยู่ในบริเวณทำงานหรือติดตอหรือท่อสารารณูปโภคในพื้นที่เพื่อขอความช่วยเหลือ** การสัมผัสกับสายไฟฟ้าอาจทำให้เกิดไฟไหม้หรือถูกไฟฟ้าดูด การทำในท่อกฎเสียหยาอาจทำให้เกิดระเบิด การเจาะเข้าในท่อน้ำทำให้ทรัพย์สินเสียหาย หรืออาจเป็นเหตุให้ถูกไฟฟ้าดูดได้
- ▶ **เมื่อทำงานต้องจับกบไสไม้ในลักษณะให้แผ่นฐานกบไสไม้วางทาบอย่างราบเรียบบนชิ้นงานเสมอ** มิฉะนั้นกบไสไม้อาจติดขัดและทำให้ได้รับบาดเจ็บได้
- ▶ **จับเครื่องมือไฟฟ้าให้แน่นด้วยมือทั้งสองข้างและตั้งทำยืนใหม่มั่นคงขณะทำงาน** ท่านจะสามารถนำทางเครื่องมือไฟฟ้าได้ปลอดภัยกว่าเมื่อจับเครื่องมือด้วยมือทั้งสองข้าง

รายละเอียดผลิตภัณฑ์และข้อมูลจำเพาะ



อ่านคำเตือนเพื่อความปลอดภัยและคำแนะนำทั้งหมด การไม่ปฏิบัติตามคำเตือนและคำสั่งอาจเป็นสาเหตุให้ถูกไฟฟ้าดูด เกิดไฟไหม้และ/หรือได้รับบาดเจ็บอย่างร้ายแรง

กรุณาดูภาพประกอบในส่วนหน้าของคู่มือการใช้งาน

ประโยชน์การใช้งานของเครื่อง

เครื่องมือไฟฟ้านี้ใช้สำหรับวัสดุที่เป็นไม้ที่มีการรองรับอย่างแน่นหนา ต. ย. เช่น ไมคานและไมกระดาน เครื่องนี้ยังเหมาะสำหรับโซลนัมมและโลบงใบ

ส่วนประกอบที่แสดงภาพ

ลำดับเลขของส่วนประกอบผลิตภัณฑ์อ้างอิงส่วนประกอบของเครื่องที่แสดงในหน้าภาพประกอบ

- (1) มาตราส่วนวัดความลึกการไส
- (2) ปุ่มปรับความลึกการไส (พื้นผิวจับหมุนวน)
- (3) ช่องพ่นชิ้นบดออก
- (4) ปุ่มล็อกให้สวิทช์เปิด-ปิดทำงาน
- (5) สวิทช์เปิด-ปิด
- (6) สกรูยึดฝาครอบสายพาน
- (7) ฝาครอบสายพาน
- (8) แผ่นฐานเครื่องไส
- (9) ร่องรูปตัว V

- (10) ประแจ Torx
 - (11) สกรูยึดก้ามหนีบ
 - (12) ก้ามหนีบ
 - (13) ตรีโมไบมีด
 - (14) ร่องนำไบมีด
 - (15) ไบมีด HSS
 - (16) แผ่นยึดไบมีด HSS
 - (17) สกรูยึดแผ่นยึดไบมีด HSS
 - (18) อุปกรณ์เล็บคมไบมีด HSS
 - (19) ฐานปรับไบมีด HSS
 - (20) ไบมีด HM/TC^{A)}
 - (21) แผงกำหนดแนวขนาน
 - (22) มาตราส่วนวัดความกว้างบังใบ
 - (23) น็อตล็อกสำหรับการปรับความกว้างบังใบ
 - (24) โบลท์ยึดแผงกำหนดแนวขนาน/ฉากหยุดมุม
 - (25) ฉากหยุดมุม^{A)}
 - (26) น็อตล็อกสำหรับการปรับมุม^{A)}
 - (27) โบลท์ยึดแผงกำหนดความลึกบังใบ^{A)}
 - (28) แผงกำหนดความลึกบังใบ^{A)}
 - (29) สันพัก
 - (30) สายพาน
 - (31) มุ่เลใหญ่
 - (32) มุ่เลเล็ก
 - (33) คามจับ (พื้นผิวจับหุ้มฉนวน)
 - (34) อุปกรณ์ตัดแปลงสำหรับเปลี่ยนไบมีด HSS เป็นไบมีด TC^{A)}
- A) อุปกรณ์ประกอบที่แสดงภาพหรืออธิบายไม่รวมอยู่ในการจัดส่งมาตรฐาน กรุณาดูอุปกรณ์ประกอบทั้งหมดในรายการแสดงอุปกรณ์ประกอบของเรา

ข้อมูลทางเทคนิค

กบไฟฟ้า		GHO 6500
หมายเลขสินค้า		0 601 596 0..
กำลังไฟฟ้าพิกัดด้านเข้า	วัตต์	650
ความเร็วรอบเดินตัวเปล่า	รอบ/นาที	16500
ความลึกการไส	มม.	0 - 2.6
ความลึกบังใบ	มม.	0 - 9
ความกว้างการไส สูงสุด	มม.	82
น้ำหนักตามระเบียบการ-EPTA-Procedure 01:2014	กก.	2.8
ระดับความปลอดภัย		□/II
คู่มือที่ผู้ใช้ได้กับแรงดันไฟฟ้าอนินอล [U] 230 โวลต์ค่าเหล่านี้ อาจเปลี่ยนแปลงไปสำหรับแรงดันไฟฟ้าที่แตกต่างกัน และในเขตที่ผลิตสำหรับเฉพาะประเทศ		

การติดตั้ง

▶ ดึงปลั๊กไฟออกจากเต้าเสียบก่อนปรับแต่งเครื่อง

การเลือกไบมีด

ท่านสามารถติดตั้งไบมีดแบบต่างๆ กันเข้ากับเครื่องมือไฟฟ้านี้ เมื่อติดตั้งอุปกรณ์ตัดแปลง (34) (อุปกรณ์ประกอบ) ท่านจะสามารถเปลี่ยนเครื่องมือไฟฟ้าจากการใช้ไบมีด HSS (15) มาเป็นไบมีด HM/TC (20) เมื่อเปลี่ยนไบมีด ต้องเปลี่ยนไบมีดใหม่ทั้งสองใบเสมอ มิฉะนั้น ความไม่สมดุลจะทำให้เกิดการสั่นสะเทือนและบั่นทอนอายุการใช้งานของเครื่องมือไฟฟ้า

การเปลี่ยนไบมีด HSS

▶ **ใช้ความระมัดระวังเมื่อเปลี่ยนไบมีด อย่าจับไบมีดตรงขอบตัด** ท่านอาจได้รับบาดเจ็บจากขอบตัดที่แหลมคมของไบมีด

การถอดไบมีด (ดูภาพประกอบ A-C)

- เมื่อต้องการเปลี่ยนไบมีด ให้หมุนดรัมไบมีด (13) จนก้ามหนีบ (12) ขนานกับแผ่นฐานกบไฟฟ้า (8)
 - คลายสกรูยึด (11) สามตัวด้วยประแจ Torx (10) และถอดก้ามหนีบ (12) ออก
 - เลื่อนแผ่นยึดไบมีด (16) พร้อมไบมีด (15) ออกจากดรัมไบมีด (13) หรือร่องนำ (14)
 - หมุนดรัมไบมีดไป 180° และถอดไบมีดทั้งสองออก
- หมายเหตุ:** ก่อนเปลี่ยนหรือลับคมไบมีด ให้ถอดแผ่นยึดไบมีด (16) โดยคลายสกรูยึด (17) ออก

การลับคมไบมีด HSS (ดูภาพประกอบ D)

ท่านสามารถใช้อุปกรณ์ลับคม (18) (อุปกรณ์ประกอบ) และหินลับมีดที่มีจำหน่ายทั่วไปเพื่อลับคมไบมีด HSS ที่ทื่อหรือสึกหรอ

สอดไบมีดทั้งสองใบเข้าไปในอุปกรณ์ลับคมและหนีบไบมีดโดยขันนอตอีกเขา ตรวจสอบให้แน่ใจว่าไบมีดทั้งสองถูกดันเข้าไปจนสุด

จับไบมีดที่สอดอยู่ในอุปกรณ์ลับคมเคลื่อนไปมาบนหินลับมีดอย่างสม่ำเสมอและใช้แรงกดเล็กน้อย

หมายเหตุ: ท่านสามารถลับคมไบมีดจนเข้ามสูงสุด 6 มม. เมื่อลับคมแล้วไบมีดต้องมีความกว้างไม่น้อยกว่า 23 มม. หลังจากนั้นต้องเปลี่ยนไบมีดทั้งสองใบใหม่

การติดตั้งไบมีด (ดูภาพประกอบ E-F)

ก่อนใส่ไบมีดใหม่หรือไบมีดที่ลับคมแล้ว ให้ทำความสะอาดดรัมไบมีด (13) และหากจำเป็น ให้ทำความสะอาดไบมีด (15) และแผ่นยึดไบมีด (16) ด้วย ทำความสะอาดไบมีดที่ติดตั้งใหม่อย่างสม่ำเสมอ ด้วยแอลกอฮอล์หรือน้ำมันปิโตรเลียม

หมายเหตุ: ต้องปรับตั้งความสูงให้ถูกต้องทุกครั้งก่อนติดตั้งไบมีดใหม่หรือไบมีดที่ลับคมแล้ว

สำหรับการปรับความสูงไบมีดให้ใช้ฐานปรับไบมีด (19) (อุปกรณ์ประกอบ) วางไบมีด (15) และแผ่นยึดไบมีด (16) บนฐานปรับไบมีด ตรวจสอบให้แน่ใจว่าแผ่นยึดไบมีด (16) ขบเข้าในร่องที่ทำไว้ กัดไบมีด (15) เข้าจนสุดและล็อกแผ่นยึดไบมีด (16) ให้อยู่ในตำแหน่งนี้ด้วยสกรูยึด (17) โดยวิธีนี้จะให้ความสูงที่ถูกต้องโดยอัตโนมัติ

ต้องติดตั้งและจัดแนวไบมีดให้อยู่กึ่งกลางตรงกับแผ่นฐานกบไฟฟ้า (8) จากุนั้นจึงขันสกรูยึด (11) สามตัวด้วยประแจ Torx (10) เข้าให้แน่น โดยเอาใจใส่ให้การขันเป็นไปตามลำดับ (①②③) ที่ระบุไว้บนก้ามหนีบ (12)

หมายเหตุ: ก่อนเริ่มต้นปฏิบัติงาน ให้ตรวจสอบสกรูยึด (11) ว่าเข็วยอยู่ในตำแหน่งแนบดีแล้วหรือไม่ หมุนตรัมใบมีด (13) ด้วยมือและตรวจสอบให้แน่ใจว่าใบมีดไม่ครูดกับชิ้นส่วนใดๆ

การเปลี่ยนใบมีด HM/TC

▶ **ใช้ความระมัดระวังเมื่อเปลี่ยนใบมีด อย่าจับใบมีดตรงขอบตัด** ท่านอาจได้รับบาดเจ็บจากขอบตัดที่แหลมคมของใบมีด

ใช้เฉพาะใบมีด HM/TC ของแท่งของ บอช เท่านั้น

ใบมีดคาร์ไบด์ (HM/TC) มีขอบตัดสองด้านที่สามารถกลับด้านใช้ได้ เมื่อขอบตัดทั้งสองด้านที่อ ต้องเปลี่ยนใบมีด (20) ใหม่ ใบมีด HM/TC ไม่สามารถนำมาลับคมซ้ำได้

การถอดใบมีด (ดูภาพประกอบ G-H)

- เมื่อต้องการเปลี่ยนใบมีดใหม่หรือกลับด้านใบมีดเดิม ให้หมุนตรัมใบมีด (13) จนก้ามหนีบ (12) ชนากับแผ่นฐานกบไฟฟ้า (8)
- คลายสกรูยึด (11) สามตัวโดยหมุนประแจ Torx (10) ประมาณ 1-2 รอบ ไม่ต้องถอดก้ามหนีบ (12) ออก
- หมุนตรัมใบมีดเล็กน้อย และใช้ไม้คั้นใบมีด (20) ไปทางด้านข้างออกจากครัมใบมีด (13)
- หมุนตรัมใบมีดไป 180° และถอดใบมีดที่สองออก

การติดตั้งใบมีด (ดูภาพประกอบ I-J)

เมื่อเปลี่ยนใบมีดใหม่หรือกลับด้านใบมีดเดิม ร่องนำใบมีดช่วยให้อุ่นใจเสมอว่าใบมีดจะถูกปรับให้ตรงกับความเร็วสูงอย่างคงเสถียร

ทำความสะอาดที่วางใบมีดในตรัมใบมีด (13) และใบมีด (20) หากจำเป็น

เมื่อติดตั้งใบมีด ตรวจสอบให้แน่ใจว่าใบมีดได้วางอยู่ในที่ยึดใบมีดของครัมใบมีด (13) อย่างถูกต้องแล้ว

ต้องติดตั้งและจัดแนวใบมีดให้อยู่กึ่งกลางตรงกับแผ่นฐานกบไฟฟ้า (8) จากนั้นจึงขันสกรูยึด (11) สามตัวด้วยประแจ Torx (10) เข้าให้แน่น โดยเอาใจใส่ให้การขันเป็นไปตามลำดับ (①②③) ที่ระบุไว้บนก้ามหนีบ (12)

หมายเหตุ: ก่อนเริ่มต้นปฏิบัติงาน ให้ตรวจสอบสกรูยึด (11) ว่าเข็วยอยู่ในตำแหน่งแนบดีแล้วหรือไม่ หมุนตรัมใบมีด (13) ด้วยมือและตรวจสอบให้แน่ใจว่าใบมีดไม่ครูดกับชิ้นส่วนใดๆ

การใช้อุปกรณ์ตัดแปลง HM/TC

การเปลี่ยนจาก HSS เป็น TC

กบไฟฟ้าที่มีใบมีด HSS จะสามารถเปลี่ยนมาเป็นใบมีด HM/TC ได้เมื่อใช้อุปกรณ์ตัดแปลง HM/TC

- คลายสกรูยึด (11) สามตัวด้วยประแจ Torx (10) และถอดก้ามหนีบ (12) ออก
- เลื่อนแผ่นยึดใบมีด (16) พร้อมใบมีด (15) ออกจากครัมใบมีด (13) หรือร่องนำ (14)
- ถอดสกรู (17) ออก
- ใส่แผ่นยึดใบมีด (16) และอุปกรณ์ตัดแปลง (34) เข้าในฐานปรับใบมีด (19) แผ่นยึดใบมีด (16) ต้องชนเข้ากับร่องที่ฐานปรับใบมีด (ดูภาพประกอบ R)
- เลื่อนใบมีด (20) จากทางด้านข้างเข้าในอุปกรณ์ตัดแปลง (34) แล้วยกอุปกรณ์ตัดแปลง (34) ต้องเกี่ยวเข้ากับใบมีด HM/TC (ดูภาพประกอบ R)
- ขันสกรู (17) เข้าให้แน่น

- ใส่แผ่นยึดใบมีด (16) พร้อมอุปกรณ์ตัดแปลง (34) และใบมีด (15) เข้าในตรัมใบมีด (13) หรือเข้าในร่องนำใบมีด (14)
- ใส่ก้ามหนีบ (12) กลับเข้าที่ และขันสกรูยึด (11) เข้าอย่างหลวมๆ
- ต้องประกอบและจัดแนวใบมีดให้อยู่กึ่งกลางตรงกับแผ่นฐานกบไฟฟ้า (8) จากนั้นจึงขันสกรูยึด (11) สามตัวด้วยประแจ Torx (10) เข้าให้แน่น โดยเอาใจใส่ให้การขันเป็นไปตามลำดับ (①②③) ตามที่ระบุไว้บนก้ามหนีบ (12)

การตัดแปลงจาก HM/TC เป็น HSS

กบไฟฟ้าที่มีใบมีด HM/TC สามารถเปลี่ยนมาใช้ใบมีด HSS ได้

- คลายสกรูยึด (11) สามตัวด้วยประแจ Torx (10) และถอดก้ามหนีบ (12) ออก
- เลื่อนแผ่นยึดใบมีด (16) พร้อมใบมีด (15) หรืออุปกรณ์ตัดแปลง HM/TC (34) ออกจากครัมใบมีด (13)
- ถอดสกรู (17) ออก
- ติดตั้งใบมีด HSS ที่ประกอบแล้ว (ดู "การติดตั้งใบมีด (ดูภาพประกอบ E-F)", หน้า 39) และจัดแนวใบมีดให้อยู่กึ่งกลางตรงกับแผ่นฐานกบไฟฟ้า (8)
- ใส่ก้ามหนีบ (12) กลับเข้าที่ และขันสกรูยึด (11) สามตัวด้วยประแจ Torx (10) เข้าให้แน่นโดยเอาใจใส่ให้การขันเป็นไปตามลำดับ (①②③) ตามที่ระบุไว้บนก้ามหนีบ (12)

การดูแล/ข้อควรระวัง

ฝุ่นที่ได้จากวัสดุ เช่น เคลือบผิวที่มีสารตะกั่ว ไม้ยางประเภทเรซาด และโลหะ อาจเป็นอันตรายต่อสุขภาพ การสัมผัสหรือการหายใจเอาฝุ่นเข้าไปอาจทำให้เกิดปฏิกิริยาแพ้ฝุ่น และ/หรือนำมาซึ่งโรคติดเชื้อระบบหายใจแก่ผู้ใช้เครื่องหรือผู้ที่ยืนอยู่ใกล้เคียง

ฝุ่นบางประเภท เช่น ฝุ่นไม้โอ๊ก หรือไม้บีช ไม้เป็นสารที่ทำให้เกิดมะเร็ง โดยเฉพาะอย่างยิ่งเมื่อผสมกับสารเติมแต่งเพื่อยาคัดไม (โครเมียม ผลึกกัมพริทริชานีอัม) สำหรับวัสดุที่มีแอลเบสทอสตองใหญ่เชี่ยวชาญทำงานเท่านั้น

- ใช้ระบบดูดฝุ่นออกที่เหมาะสมกับประเภทวัสดุ มากเท่าที่จะทำได้
- จัดสถานที่ทำงานให้มีการระบายอากาศที่ดี
- ขอแนะนำให้สวมหน้ากากป้องกันการติดเชื้อที่มีระดับ-ไส้กรอง P2

ปฏิบัติตามกฎข้อบังคับสำคัญอื่นๆ ที่เกี่ยวกับวัสดุชิ้นงานที่บังคับใช้ในประเทศของท่าน

▶ ป้องกันการสะสมของฝุ่นในสถานที่ทำงาน

ฝุ่นสามารถถูกไหลอย่างง่ายดาย

ทำความสะอาดช่องพ่นซีกบออก (3) เป็นประจำ สำหรับการทำความสะอาดช่องพ่นซีกบออกที่อุดตัน ให้ใช้เครื่องมือที่เหมาะสม ต. ย. เช่น แท่งไม้ อากาศอัด และอื่นๆ

▶ **อย่ายื่นมือเข้าไปในช่องพ่นซีกบออก** ท่านอาจได้รับบาดเจ็บจากชิ้นส่วนที่หมุนอยู่

ใช้เครื่องดูดฝุ่นภายนอกหรือถุงเก็บผง/ซีกบทุกครั้ง เพื่อจะได้ออกได้อย่างมีประสิทธิภาพที่สุด

การปฏิบัติงาน

รูปแบบการทำงาน

การปรับความลึกการไส

ท่านสามารถปรับความลึกการไสได้ด้วยปุ่มปรับ (2) และปรับได้อย่างต่อเนื่องจาก 0–2,6 มม. โดยไขมาตราส่วนวัดความลึกการไส (1) (ขนาดมาตราส่วน = 0.1 มม.)

สันพัก (คุณภาพประกอบ N)

สันพัก (29) ช่วยให้สามารถวางเครื่องมือไฟฟ้าลงได้ทันทีหลังใช้งานโดยชิ้นงานหรือใบมีดจะไม่ได้รับความเสียหาย ขณะไสสันพัก (29) จะกระดกขึ้นข้างบน และด้วยเหตุนี้ส่วนท้ายของแผ่นฐานกบไฟฟ้า (8) จึงสัมผัสกับชิ้นงานได้เต็มที่

การเริ่มต้นปฏิบัติงาน

- ▶ **ให้สังเกตแรงดันไฟฟ้า! แรงดันไฟฟ้าจากแหล่งจ่ายไฟฟ้าต้องมีค่าตรงกับค่าแรงดันไฟฟ้าที่ระบุไว้บนแผ่นป้ายที่ติดเครื่อง เครื่องมือไฟฟ้าที่มีเครื่องหมาย 230 โวลต์ สามารถใช้งานได้กับ 220 โวลต์ โดยตรง**

การเปิด-ปิดเครื่อง

- ▶ **ตรวจสอบให้แน่ใจว่าท่านสามารถใช้งานสวิตช์เปิด-ปิดได้โดยไม่ต้องปล่อยตามจับ**

เปิดสวิตช์เครื่องมือไฟฟ้าโดยกดสวิตช์เปิด-ปิด (5) และกดคางไว้

ล็อคสวิตช์เปิด-ปิด (5) ที่กดคางไว้โดยกดปุ่มล็อค (4)

ปิดสวิตช์เครื่องมือไฟฟ้าโดยปล่อยนิ้วจากสวิตช์เปิด-ปิด (5) หรือในกรณีที่ถูกล็อคด้วยปุ่มล็อค (4) ที่กดสวิตช์เปิด-ปิด (5) ลื่นๆ และปล่อยนิ้ว

ข้อแนะนำในการทำงาน

- ▶ **ดึงปลั๊กไฟออกจากเต้าเสียบก่อนปรับแต่งเครื่อง**

กระบวนการไส (คุณภาพประกอบ N)

ตั้งความลึกการไสที่ต้องการและวางเครื่องมือไฟฟ้าลงโดยให้ส่วนหน้าของแผ่นฐานกบไฟฟ้า (8) ทาบบนชิ้นงาน

- ▶ **จับเครื่องมือไฟฟ้าเข้าหาชิ้นงานเมื่อเครื่องเปิดสวิตช์อยู่เท่านั้น** มิฉะนั้นอาจได้รับอันตรายจากการตีกลับหากเครื่องมือตัดติดขัดอยู่ในชิ้นงาน

เปิดสวิตช์เครื่องมือไฟฟ้าและจับเครื่องป้อนไปข้างหน้าอย่างสม่ำเสมอบนพื้นผิวที่ต้องการไส

เพื่อให้ได้ผิวหน้าคุณภาพเยี่ยม ต้องป้อนเครื่องไปข้างหน้าอย่างช้าๆ เท่านั้น และไขแรงกดลงตรงกลางแผ่นฐานกบไฟฟ้า

เมื่อไสวัสดุแข็ง ต. ย. เช่น ไม้เนื้อแข็ง รวมทั้งเมื่อใช้ความกว้างกบไฟฟ้ามามากสุด ให้ตั้งความลึกการไสไว้ที่ระดับต่ำเท่านั้น และลดการป้อนเครื่องไปข้างหน้า หากจำเป็น การป้อนเครื่องไปข้างหน้ามากเกินไปจนความจำเป็นจะลดคุณภาพพื้นผิวและอาจทำให้ของพ่นซึบกับชุดต้นเร็ว ใบมีดคมเท่านั้นที่จะตัดได้ดีและทำให้เครื่องมือไฟฟ้ามีการใช้งานยืนยาว

สันพัก (29) ที่ประกอบติดอยู่กับเครื่องทำให้สามารถไสชิ้นงาน ณ ตำแหน่งใดๆ ต่อไปหลังจากหยุดพัก:

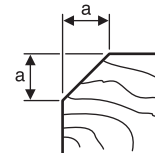
- วางเครื่องลงบนชิ้นงาน ณ ตำแหน่งที่ต้องการไสต่อไปในลักษณะที่สันพักกลับอยู่ด้านล่าง

- เปิดสวิตช์เครื่องมือไฟฟ้า
- ไขแรงกดลงบนส่วนหน้าของแผ่นฐานกบไฟฟ้าและดันเครื่องมือไฟฟ้าไปข้างหน้าช้าๆ (1) ในลักษณะนี้สันพักจะกระดกขึ้นข้างบน (2) ทำให้ส่วนท้ายของแผ่นฐานกบไฟฟ้าวางทาบกับชิ้นงานอีกครั้ง
- จับเครื่องป้อนไปข้างหน้าอย่างสม่ำเสมอบนพื้นผิวที่จะไส (3)

การไสลบบวม (คุณภาพประกอบ O)

ร่องรูปตัว V ตรงส่วนหน้าของแผ่นฐานกบไฟฟ้าทำให้สามารถไสขอบลบบวมชิ้นงานได้สะดวกและรวดเร็วใช้ร่องรูปตัว V ที่มีขนาดตรงกับความกว้างมุมเฉียงที่ต้องการ เมื่อต้องการไสลบบวม ให้วางกบไฟฟ้าโดยให้ร่องรูปตัว V อยู่บนขอบชิ้นงานและเคลื่อนเครื่องไปตามขอบ

ร่องที่จะใช้	ขนาด a (มม.)
ไม่มีร่อง	0–4
เล็ก	2–6
ปานกลาง	4–9
ใหญ่	6–10



การไสด้วยแหงกำหนดแนวขนาน/ฉากหยุดมุม (คุณภาพประกอบ K–M)

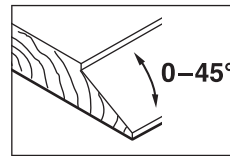
ประกอบแหงกำหนดแนวขนาน (21) หรือฉากหยุดมุม (25) เข้ากับเครื่องมือไฟฟ้าด้วยโมลที่ยึด (24) ที่เข้ากัน ติดตั้งแหงกำหนดความลึกบั้งใบ (28) เข้ากับเครื่องมือไฟฟ้าด้วยโมลที่ยึด (27) ทั้งนี้ขึ้นอยู่กับการใช้งาน

คลายนอตล็อค (23) ออก และปรับความกว้างบั้งใบที่ต้องการบนมาตราส่วน (22) ชั้นนอตล็อค (23) กลับเข้าที่แน่น

ปรับความลึกบั้งใบที่ต้องการตามด้วยแหงกำหนดความลึกบั้งใบ (28)

ไสหลายๆ ครั้งจนได้ความลึกบั้งใบที่ต้องการ เคลื่อนกบไฟฟ้าโดยไขแรงกดลงบนด้านข้างของเครื่อง

การไสลบบวมด้วยฉากหยุดมุม



เมื่อไสบั้งใบหรือไสพื้นผิวให้ลาดเอียง ให้ปรับมุมลาดเอียงที่ต้องการด้วยนอตล็อคสำหรับการปรับมุม (26)

การบำรุงรักษา

และการบริการ

การบำรุงรักษาและการทำความสะอาด

- ▶ **ดึงปลั๊กไฟออกจากเต้าเสียบก่อนปรับแต่งเครื่อง**
- ▶ **เพื่อให้ทำงานได้อย่างถูกต้องและปลอดภัย ต้องรักษาเครื่องและช่องระบายอากาศให้สะอาดอยู่เสมอ**

ตรวจสอบดูในสันพัก (29) ทำงานได้อย่างอิสระ และทำความสะอาดสนพักเป็นประจำ

เมื่อแปร่งถ่านสึกหรือ เครื่องมือไฟฟ้าจะดับสวิตช์โดยอัตโนมัติ ต้องส่งเครื่องมือไฟฟ้าไปบำรุงรักษาที่ศูนย์บริการลูกค้า สำหรับที่อยู่ กรุณา “การบริการหลังการขายและการให้คำปรึกษาการใช้งาน”

เมื่อจำเป็นต้องเปลี่ยนสายไฟฟ้า ให้ส่งเครื่องให้บริษัท บอช หรือศูนย์บริการลูกค้าสำหรับเครื่องมือไฟฟ้า บอช ที่ได้รับมอบหมายทำการเปลี่ยนให้ เพื่อหลีกเลี่ยงอันตรายตามความปลอดภัย

การเปลี่ยนสายพาน (รูปภาพประกอบ P-Q)

คลายสกรู (6) และถอดฝาครอบสายพาน (7) ออกถอดสายพานที่เสื่อมสภาพ (30) ออก ก่อนใส่สายพานเส้นใหม่ (30) เข้า ให้ทำความสะอาดมุมเลี้ยวของ (31) และ (32)

วางสายพานเส้นใหม่ (30) บนมุมเล็ก (32) ก่อน จากนั้นใช้มือดันสายพาน (30) เข้าบนมุมใหญ่ (31) ขณะหมุนมุมเลี้ยวตรวจสอบให้แน่ใจว่าสายพาน (30) วิ่งอย่างถูกต้องในร่องตามยาวของมุม (31) และ (32)

ใส่ฝาครอบสายพาน (7) กลับเข้าที่ และขันสกรู (6) เข้าให้แน่น

การบริการหลังการขายและการให้คำปรึกษาการใช้งาน

ศูนย์บริการหลังการขายของเรายินดีตอบคำถามของท่านที่เกี่ยวกับการบำรุงรักษาและการซ่อมแซมผลิตภัณฑ์รวมทั้งเรื่องอะไหล่ ภาพแยกชิ้นและข้อมูลเกี่ยวกับอะไหล่ยังสามารถดูได้ที่: www.bosch-pt.com ทีมงานที่ปรึกษาของ บอช ยินดีให้ข้อมูลเกี่ยวกับผลิตภัณฑ์ของเราและอุปกรณ์ประกอบต่างๆ

www.powertool-portal.de เว็บไซต์สำหรับช่างฝีมือและช่างสมัครเล่น

เมื่อต้องการสอบถามและสั่งซื้ออะไหล่ กรุณาแจ้งหมายเลขสินค้า 10 หลักรหัสบนแผ่นยี่ห้อของผลิตภัณฑ์ทุกครั้ง

ไทย

ไทย บริษัท โรเบิร์ต บอช จำกัด
เอฟวายไอ เซ็นเตอร์ อาคาร 1 ชั้น 5
เลขที่ 2525 ถนนพระราม 4
แขวงคลองเตย เขตคลองเตย
กรุงเทพฯ 10110
โทร: +66 2012 8888
แฟกซ์: +66 2064 5800
www.bosch.co.th

ศูนย์บริการซ่อมและฝึกอบรม บอช
อาคาร ลาชาลทาวเวอร์ ชั้น G ห้องเลขที่ 2
บานเลขที่ 10/1,1 หมู่ 16
ถนนศรีนครินทร์
ตำบลบางแก้ว อำเภอบางพลี
จังหวัดสมุทรปราการ 10540
ประเทศไทย
โทรศัพท์ 02 7587555
โทรสาร 02 7587525

การกำจัดขยะ

เครื่องมือไฟฟ้า อุปกรณ์ประกอบ และที่บด ต้องนำไปแยกประเภทวัสดุเพื่อการรีไซเคิลที่เป็นมิตรต่อสิ่งแวดล้อม



อย่าทิ้งเครื่องมือไฟฟ้าลงในขยะครัวเรือน!

Bahasa Indonesia

Petunjuk Keselamatan

Petunjuk keselamatan umum untuk perkakas listrik

⚠ PERINGATAN Baca semua peringatan, petunjuk, ilustrasi, dan spesifikasi

keselamatan yang diberikan bersama perkakas listrik ini. Kesalahan dalam menjalankan petunjuk di bawah ini dapat mengakibatkan sengatan listrik, kebakaran, dan/atau cedera serius.

Simpanlah semua peringatan dan petunjuk untuk penggunaan di masa mendatang.

Istilah "perkakas listrik" dalam peringatan mengacu pada perkakas listrik yang dioperasikan dengan listrik (menggunakan kabel) atau perkakas listrik yang dioperasikan dengan baterai (tanpa kabel).

Keamanan tempat kerja

- ▶ **Jaga kebersihan dan pencahayaan area kerja.** Area yang berantakan atau gelap dapat memicu kecelakaan.
- ▶ **Jangan mengoperasikan perkakas listrik di lingkungan yang dapat memicu ledakan, seperti adanya cairan, gas, atau debu yang mudah terbakar.** Perkakas listrik dapat memancarkan bunga api yang kemudian mengakibatkan debu atau uap terbakar.
- ▶ **Jauhkan dari jangkauan anak-anak dan pengamat saat mengoperasikan perkakas listrik.** Gangguan dapat menyebabkan hilangnya kendali.

Keamanan listrik

- ▶ **Steker perkakas listrik harus sesuai dengan stopkontak. Jangan pernah memodifikasi steker. Jangan menggunakan steker adaptor bersama dengan perkakas listrik yang terhubung dengan sistem grounding.** Steker yang tidak dimodifikasi dan stopkontak yang cocok akan mengurangi risiko sengatan listrik.
- ▶ **Hindari kontak badan dengan permukaan yang terhubung dengan sistem grounding, seperti pipa, radiator, kompor, dan lemari es.** Terdapat peningkatan risiko terjadinya sengatan listrik jika badan Anda terhubung dengan sistem grounding.
- ▶ **Perkakas listrik tidak boleh terpapar hujan atau basah.** Air yang masuk ke dalam perkakas listrik menambah risiko terjadinya sengatan listrik.
- ▶ **Jangan menyalahgunakan kabel. Jangan gunakan kabel untuk membawa, menarik, atau melepas steker perkakas listrik. Jauhkan kabel dari panas, minyak, tepi yang tajam, atau komponen yang bergerak.** Kabel listrik yang rusak atau tersangkut menambah risiko terjadinya sengatan listrik.
- ▶ **Saat mengoperasikan perkakas listrik di luar ruangan, gunakan kabel ekstensi yang sesuai untuk penggunaan di luar ruangan.** Penggunaan kabel yang

cocok untuk pemakaian di luar ruangan mengurangi risiko terjadinya sengatan listrik.

- ▶ **Jika perkakas listrik memang harus dioperasikan di tempat yang lembap, gunakan pemutus arus listrik residu (RCD).** Penggunaan RCD akan mengurangi risiko terjadinya sengatan listrik.

Keselamatan personel

- ▶ **Tetap waspada, perhatikan aktivitas yang sedang dikerjakan dan gunakan akal sehat saat mengoperasikan perkakas listrik. Jangan gunakan perkakas listrik saat mengalami kelelahan atau di bawah pengaruh narkoba, alkohol, atau obat-obatan.** Jika perkakas listrik dioperasikan dengan daya konsentrasi yang rendah, hal tersebut dapat menyebabkan cedera serius.
- ▶ **Gunakan peralatan pelindung diri. Selalu kenakan pelindung mata.** Penggunaan perlengkapan pelindung seperti penutup telinga, helm, sepatu anti licin, dan masker debu akan mengurangi cedera.
- ▶ **Hindari start yang tidak disengaja. Pastikan switch berada di posisi off sebelum perkakas listrik dihubungkan ke sumber daya listrik dan/atau baterai, diangkat, atau dibawa.** Membawa perkakas listrik dengan jari menempel pada tombol atau perkakas listrik dalam keadaan hidup dapat memicu kecelakaan.
- ▶ **Singkirkan kunci penyetel atau kunci pas sebelum menghidupkan perkakas listrik.** Perkakas atau kunci pas yang masih menempel pada komponen perkakas listrik yang berputar dapat menyebabkan cedera.
- ▶ **Jangan melampaui batas. Berdirilah secara mantap dan selalu jaga keseimbangan.** Hal ini akan memberikan kontrol yang lebih baik terhadap perkakas listrik pada situasi yang tak terduga.
- ▶ **Kenakan pakaian dengan wajar. Jangan mengenakan perhiasan atau pakaian yang longgar. Jauhkan rambut dan pakaian dari komponen yang bergerak.** Pakaian yang longgar, rambut panjang, atau perhiasan dapat tersangkut dalam komponen yang bergerak.
- ▶ **Jika disediakan perangkat untuk sambungan pengisian debu dan alat pengumpulan, pastikan perangkat tersebut terhubung dan digunakan dengan benar.** Penggunaan alat pengumpulan dapat mengurangi bahaya yang disebabkan oleh debu.
- ▶ **Jangan berpuas diri dan memperbaiki prinsip keselamatan karena terbiasa mengoperasikan perkakas.** Tindakan yang kurang hati-hati dapat mengakibatkan cedera serius dalam waktu sepersekiian detik.

Penggunaan dan pemeliharaan perkakas listrik

- ▶ **Jangan memaksakan perkakas listrik. Gunakan perkakas listrik yang sesuai untuk pekerjaan yang dilakukan.** Perkakas listrik yang sesuai akan bekerja dengan lebih baik dan aman sesuai tujuan penggunaan.
- ▶ **Jangan gunakan perkakas listrik dengan switch yang tidak dapat dioperasikan.** Perkakas listrik yang

switchnya yang tidak berfungsi dapat menimbulkan bahaya dan harus diperbaiki.

- ▶ **Lepaskan steker dari sumber listrik dan/atau lepas baterai, jika dapat dilepaskan dari perkakas listrik sebelum menyetel, mengganti aksesoris, atau menyimpan perkakas listrik.** Tindakan preventif akan mengurangi risiko menghidupkan perkakas listrik secara tidak disengaja.
- ▶ **Jauhkan dan simpan perkakas listrik dari jangkauan anak-anak dan jangan biarkan orang-orang yang tidak mengetahui cara menggunakan perkakas listrik, mengoperasikan perkakas listrik.** Perkakas listrik dapat membahayakan jika digunakan oleh orang-orang yang tidak terlatih.
- ▶ **Lakukan pemeliharaan perkakas listrik dan aksesoris. Periksa komponen yang bergerak apabila tidak lurus atau terikat, kerusakan komponen, dan kondisi lain yang dapat mengganggu pengoperasian perkakas listrik. Apabila rusak, perbaiki perkakas listrik sebelum digunakan.** Kecelakaan sering terjadi karena perkakas listrik tidak dirawat dengan baik.
- ▶ **Jaga ketajaman dan kebersihan alat.** Alat pemotong dengan pisau pemotong yang tajam dan dirawat dengan baik tidak akan mudah tersangkut dan lebih mudah dikendalikan.
- ▶ **Gunakan perkakas listrik, aksesoris, dan komponen perkakas dll sesuai dengan petunjuk ini, dengan mempertimbangkan kondisi kerja dan pekerjaan yang akan dilakukan.** Penggunaan perkakas listrik untuk tujuan berbeda dari fungsinya dapat menyebabkan situasi yang berbahaya.
- ▶ **Jaga gagang dan permukaan genggam agar tetap kering, bersih, dan bebas dari minyak dan lemak.** Gagang dan permukaan genggam yang licin tidak menjamin keamanan kerja dan kontrol alat yang baik pada situasi yang tidak terduga.

Servis

- ▶ **Minta teknisi berkualifikasi untuk menyervis perkakas listrik dengan hanya menggunakan suku cadang yang identik.** Dengan demikian, hal ini akan memastikan keamanan perkakas listrik.

Petunjuk keselamatan untuk mesin ketam

- ▶ **Tunggu hingga pemotong berhenti sebelum meletakkan alat.** Pemotong yang berputar dan terbuka dapat mengunci pada permukaan dan dapat menyebabkan kehilangan kendali serta cedera serius.
- ▶ **Pegang perkakas listrik pada permukaan gagang isolatornya karena pemotong dapat bersentuhan dengan kabelnya sendiri.** Memotong kabel yang dialiri listrik dapat menyebabkan bagian logam perkakas listrik dialiri listrik, sehingga berisiko mengakibatkan sengatan listrik pada operator.
- ▶ **Gunakan penjepit atau cara lain yang praktis untuk mengamankan dan menopang benda kerja pada permukaan yang stabil.** Benda kerja dapat goyah atau

kehilangan kendali jika dipegang dengan tangan atau ditahan dengan tubuh Anda.

- ▶ **Hidupkan terlebih dahulu perkakas listrik, kemudian perkakas listrik didekatkan pada benda kerja.** Jika tidak, terdapat bahaya sentakan jika alat kerja tersangkut dalam benda yang dikerjakan.
- ▶ **Jangan memegang chip ejector.** Anda dapat mengalami cedera akibat komponen yang berputar.
- ▶ **Jangan pernah mengetam pada benda logam, paku, atau sekrup.** Mata ketam dan as mata ketam dapat rusak dan mengakibatkan getaran yang kuat.
- ▶ **Gunakanlah alat detektor logam yang cocok untuk mencari kabel dan pipa yang tidak terlihat atau hubungi perusahaan pengadaan setempat.** Sentuhan dengan kabel-kabel listrik dapat mengakibatkan api dan kontak listrik. Pipa gas yang dirusak dapat mengakibatkan ledakan. Pipa air yang dirusak mengakibatkan kerusakan barang-barang atau dapat mengakibatkan kontak listrik.
- ▶ **Saat bekerja, selalu pegang alat ketam sedemikian rupa agar pelat dasar terletak rata pada benda kerja.** Jika tidak, mesin ketam dapat oleng dan mengakibatkan cedera.
- ▶ **Pegang erat perkakas listrik dengan kedua tangan selama mengoperasikannya dan pastikan Anda berdiri di posisi aman.** Gunakan perkakas listrik dengan kedua tangan secara hati-hati.

Spesifikasi produk dan performa



Bacalah semua petunjuk keselamatan dan petunjuk penggunaan. Kesalahan dalam menjalankan petunjuk keselamatan dan petunjuk penggunaan dapat mengakibatkan kontak listrik, kebakaran, dan/atau luka-luka

yang berat.

Perhatikan ilustrasi yang terdapat pada sisi sampul panduan pengoperasian.

Tujuan penggunaan

Perkakas listrik ini cocok untuk mengetam bahan kayu seperti misalnya balok dan papan pada permukaan yang stabil. Perkakas listrik ini juga cocok untuk membuang pinggiran yang tajam dan untuk mengetam bertingkat.

Ilustrasi komponen

Nomor-nomor dari bagian-bagian perkakas pada gambar sesuai dengan gambar perkakas listrik pada halaman bergambar.

- (1) Skala ketebalan pengetaman
- (2) Kenop putar untuk penyetelan ketebalan pengetaman (genggaman terisolir)
- (3) Pembuangan serbuk
- (4) Tombol pengunci untuk tombol on/off
- (5) Tombol on/off
- (6) Sekrup untuk pelindung tali ban
- (7) Pelindung tali ban
- (8) Tapak ketam
- (9) Baut V
- (10) Kunci torx
- (11) Sekrup pengencang untuk rahang penjepit
- (12) Rahang penjepit
- (13) Kepala mata ketam
- (14) Alur ganjalan untuk mata ketam
- (15) Mata ketam HSS
- (16) Penahan mata ketam HSS
- (17) Sekrup pengencang untuk penahan mata ketam HSS
- (18) Alat pengasah mata ketam HSS
- (19) Alat bantu (mistar) untuk menyatel mata ketam HSS
- (20) Mata ketam HM/TC^{A)}
- (21) Mistar sejajar
- (22) Skala untuk kelebaran bertingkat
- (23) Mur pengunci untuk penyetelan kelebaran bertingkat
- (24) Sekrup pengencang untuk mistar sejajar/sudut
- (25) Mistar sudut^{A)}
- (26) Mur pengunci untuk penyetelan sudut^{A)}
- (27) Sekrup pengencang untuk penahan kedalaman pengetaman^{A)}
- (28) Penahan kedalaman pengetaman^{A)}
- (29) Kaki sandaran
- (30) Tali ban penggerak
- (31) Roda penggerak besar
- (32) Roda penggerak kecil
- (33) Gagang (genggaman isolator)
- (34) Adaptor untuk mengubah mata ketam HSS ke TC^{A)}

A) **Aksesori yang ada pada gambar atau yang dijelaskan tidak termasuk dalam lingkup pengiriman standar. Semua aksesori yang ada dapat Anda lihat dalam program aksesori kami.**

Data teknis

Mesin ketam	GHO 6500	
Nomor seri	0 601 596 0..	
Input daya nominal	W	650
Kecepatan idle	min ⁻¹	16500
Ketebalan pengetaman	mm	0 – 2,6
Kedalaman bertingkat	mm	0 – 9
Kelebaran pengetaman maks	mm	82
Berat sesuai dengan EPTA-Procedure 01:2014	kg	2,8
Klasifikasi keamanan	□/II	

Data-data berlaku untuk tegangan nominal [U] 230 V. Pada tegangan yang lebih rendah dan pada model khusus mancanegara data-data ini bisa berlainan.

Cara memasang

- ▶ **Sebelum mulai dengan pekerjaan pada perkakas listrik, tariklah steker dari stopkontak.**

Memilih mata ketam

Perkakas listrik bisa dilengkapi dengan berbagai jenis mata ketam.

Dengan memasang adaptor (34) (aksesori), perkakas listrik mata ketam baja cepat HSS (15) dapat diubah ke HM/TC (20).

Jika mengganti mata ketam, gantilah selalu kedua mata ketam pada waktu yang sama karena jika tidak, bobot menjadi tidak seimbang dan menyebabkan vibrasi yang bisa memperpendek masa pakai perkakas listrik.

Mengganti mata ketam baja cepat HSS

- ▶ **Peringatan saat mengganti mata ketam baja cepat. Jangan menyentuh mata ketam pada mata pisaunya.**

Anda bisa terluka karena terkena pada mata pisau yang tajam.

Melepaskan mata ketam (lihat gambar A-C)

- Saat mengganti mata ketam, putar kepala mata ketam (13) hingga rahang penjepit (12) berada sejajar dengan tapak ketam (8).
- Kendurkan ketiga baut pengencang (11) menggunakan kunci torx (10) lalu lepaskan rahang penjepit (12).
- Geser keluar penahan (16) bersama dengan mata ketam (15) dari kepala mata ketam (13) atau ganjalan (14).
- Putar kepala mata ketam sebesar 180° dan lepaskan mata ketam kedua.

Catatan: Sebelum mengganti atau mengasah mata ketam, lepaskan penahan (16) dengan mengendurkan sekrup pengencang (17).

Mengasah mata ketam HSS (lihat gambar D)

Dengan menggunakan alat pengasah (18) (aksesori) dan batu asahan standar, mata ketam HSS yang tumpul atau aus dapat diasah agar menjadi tajam.

Masukkan kedua mata ketam ke dalam alat pengasah dan kencangkan dengan baut kupu-kupu. Pastikan kedua mata ketam masuk hingga maksimal.

Gerak-gerakkan kedua mata ketam yang dipasangkan dalam alat bantu untuk mengasah secara teratur dan dengan tekanan yang ringan di atas batu asahan.

Catatan: Mata ketam boleh ditajamkan maksimal 6 mm pada lebar minimal 23 mm. Setelah itu kedua mata ketam harus diganti.

Memasang mata ketam (lihat gambar E-F)

Sebelum memasang kembali mata ketam yang baru atau yang telah ditajamkan, bersihkan kepala mata ketam (13) serta mata ketam (15) dan penahan (16). Mata ketam yang tercemar dengan banyak getah dibersihkan dengan spiritus atau minyak tanah.

Catatan: Mata ketam baru atau yang telah ditajamkan harus disetel kembali pada pengaturan ketinggian yang benar sebelum dipasang.

Terdapat alat bantu (mistar) (19) (aksesori) untuk mengatur ketinggian mata ketam. Letakkan mata ketam (15) dan penahan (16) pada alat bantu (mistar). Pastikan penahan (16) menahan baut yang ada. Tekan mata ketam (15) ke mistar dan kencangkan penahan (16) pada posisi tersebut menggunakan sekrup pengencang (17). Dengan demikian, ketinggian yang tepat disetelkan secara otomatis.

Mata ketam harus dipasang dan posisinya berada **di tengah tapak ketam (8)**. Kemudian kencangkan ketiga baut pengencang (11) menggunakan kunci torx (10). Patuhi urutan pengencangan yang tercantum (① ② ③) pada rahang penjepit (12).

Catatan: Sebelum memulai menggunakan, periksa kekencangan baut (11). Putar kepala mata ketam (13) menggunakan tangan dan pastikan mata ketam bergerak lurus.

Mengganti mata ketam baja HM/TC

- ▶ **Peringatan saat mengganti mata ketam baja cepat. Jangan menyentuh mata ketam pada mata pisaunya.**

Anda bisa terluka karena terkena pada mata pisau yang tajam.

Gunakan selalu mata ketam baja intan HM/TC yang asli dari Bosch.

Mata ketam baja intan (HM/TC) mempunyai 2 mata pisau dan bisa dibalikkan. Jika kedua mata pisau tumpul, mata ketam (20) harus diganti. Mata ketam HM/TC tidak boleh diasah.

Melepaskan mata ketam (lihat gambar G-H)

- Saat membalikkan atau mengganti mata ketam, putar kepala mata ketam (13) hingga rahang penjepit (12) berada sejajar dengan tapak ketam (8).
- Kendurkan ketiga baut pengencang (11) menggunakan kunci torx (10) sebanyak 1–2 putaran. Rahang penjepit (12) tidak boleh dilepas.
- Putar sedikit kepala mata ketam lalu geser keluar mata ketam (20) menggunakan serpihan kayu dari kepala mata ketam (13).
- Putar kepala mata ketam sebesar 180° dan lepaskan mata ketam kedua.

Memasang mata ketam (lihat gambar I-J)

Alur ganjalan dari mata ketam menjamin penyetulan ketinggian yang selalu rata pada waktu mata ketam diganti atau dibalik.

Jika perlu, bersihkan dudukan mata ketam di dalam kepala mata ketam (13) dan mata ketam (20).

Perhatikan saat memasang mata ketam, posisi mata ketam berada di dalam pemandu kepala mata ketam (13).

Mata ketam harus dipasang dan posisinya berada **di tengah tapak ketam (8)**. Kemudian kencangkan ketiga baut pengencang (11) menggunakan kunci torx (10). Patuhi

urutan pengencangan yang tercantum (①②③) pada rahang penjepit (12).

Catatan: Sebelum memulai menggunakan, periksa kekencangan baut (11). Putar kepala mata ketam (13) menggunakan tangan dan pastikan mata ketam bergerak lurus.

Penggunaan adaptor HM/TC

Mengganti mata ketam HSS dengan HM/TC

Dengan adaptor HM/TC, mesin ketam yang dilengkapi dengan mata ketam HSS dapat diubah ke HM/TC.

- Kendurkan 3 baut pengencang (11) menggunakan kunci torx (10) lalu lepaskan rahang penjepit (12).
- Geser keluar penahan (16) bersama dengan mata ketam (15) dari kepala mata ketam (13) atau alur ganjalan (14).
- Lepaskan sekrup (17).
- Pasang penahan (16) dan adaptor (34) ke dalam alat bantu (mistar) (19). Penahan (16) harus terpasang kencang pada alat bantu (mistar) ke dalam lekuk (lihat gambar R).
- Dorong mata ketam HM/TC (20) ke dalam adaptor (34). Bar pada adaptor (34) harus dikunci ke dalam lekuk pada mata ketam HM/TC (lihat gambar R).
- Kencangkan sekrup (17).
- Pasang penahan (16) bersama dengan adaptor (34) dan mata ketam (15) ke dalam kepala mata ketam (13) atau alur ganjalan (14).
- Letakkan rahang penjepit (12) dan putar baut pengencang (11) namun jangan terlalu kencang.
- Mata ketam harus dipasang dan posisinya berada **di tengah tapak ketam (8)**. Kemudian kencangkan ketiga baut pengencang (11) menggunakan kunci torx (10). Ikuti urutan pengencangan yang tercantum (①②③) pada rahang penjepit (12).

Mengganti mata ketam HM/TC dengan mata ketam HSS

Mesin ketam yang dilengkapi mata ketam HM/TC dapat diubah menjadi mata ketam HSS.

- Kendurkan 3 baut pengencang (11) menggunakan kunci torx (10) lalu lepaskan rahang penjepit (12).
- Geser keluar penahan (16) bersama dengan mata ketam (15) atau adaptor HM/TC (34) dari kepala mata ketam (13).
- Lepaskan sekrup (17).
- Pasang mata ketam HSS yang telah dipasang bersama (lihat „Memasang mata ketam (lihat gambar E-F)“, Halaman 45) dan atur posisinya **di tengah tapak ketam (8)**.
- Letakkan rahang penjepit (12) lalu kencangkan ketiga baut pengencang (11) menggunakan kunci torx (10). Ikuti urutan pengencangan yang tercantum (①②③) pada rahang penjepit (12).

Pengisapan debu/serbuk

Debu dari bahan-bahan seperti cat yang mengandung timbal, beberapa jenis kayu, bahan mineral dan logam dapat berbahaya bagi kesehatan. Menyentuh atau menghirup debu tersebut dapat mengakibatkan reaksi alergi dan/atau penyakit saluran pernapasan bagi pengguna atau orang yang berada di dekatnya.

Beberapa debu tertentu seperti misalnya debu kayu pohon ek atau pohon fagus silvatica dianggap dapat mengakibatkan penyakit kanker, terutama dalam campuran dengan bahan-bahan tambahan untuk pengolahan kayu (kromat, obat pengawet kayu). Bahan-bahan yang mengandung asbes hanya boleh dikerjakan oleh orang-orang yang ahli.

- Gunakanlah hanya pengisap debu yang cocok untuk mengisap bahan yang dikerjakan.
- Pastikan terdapat ventilasi udara yang baik di tempat kerja.
- Dianjurkan untuk memakai masker anti debu dengan filter kelas P2.

Taatilah peraturan-peraturan untuk bahan-bahan yang dikerjakan yang berlaku di negara Anda.

► Hindari debu yang banyak terkumpul di tempat kerja.

Debu dapat tersulut dengan mudah.

Bersihkan pembuangan serbuk (3) secara teratur. Gunakan alat yang sesuai untuk membersihkan pembuangan serbuk yang tersumbat, misalnya serpihan kayu, udara bertekanan, dll.

► **Jangan memegang chip ejector.** Anda dapat mengalami cedera akibat komponen yang berputar.

Untuk menjamin pengisapan yang optimal, gunakan selalu sarana pengisapan lain atau kantong debu/serbuk.

Penggunaan

Mode pengoperasian

Menyetel ketebalan mengetam

Melalui kenop putar (2), ketebalan pengetaman dapat diatur sedalam 0–2,6 mm dengan skala ketebalan (1) (pembagian skala = 0,1 mm).

Kaki sandaran (lihat gambar N)

Kaki sandaran (29) memungkinkan perkakas listrik dihentikan langsung setelah proses pengerjaan selesai tanpa menimbulkan bahaya kerusakan benda kerja atau mata ketam. Selama proses pengerjaan, kaki sandaran (29) digerakkan ke atas dan bagian belakang tapak ketam (8) akan terlepas.

Cara penggunaan

- **Perhatikan tegangan listrik! Tegangan jaringan listrik harus sesuai dengan tegangan listrik yang tercantum pada label tipe perkakas listrik. Perkakas listrik dengan daya sebesar 230 V seperti yang diindikasikan pada label dapat juga dioperasikan pada daya 220 V.**

Menghidupkan/mematikan perkakas listrik

- ▶ **Pastikan bahwa Anda dapat mengoperasikan tombol untuk menghidupkan dan mematikan tanpa perlu melepaskan handle.**

Untuk **penggunaan perkakas listrik pertama kali**, tekan dan tahan tombol on/off (5).

Untuk **mengunci** tombol on/off (5) yang telah ditekan, tekan tombol pengunci (4).

Untuk **menonaktifkan** perkakas listrik, lepaskan tombol on/off (5) atau jika tombol dikunci dengan tombol pengunci (4), tekan singkat tombol on/off (5) dan kemudian lepaskan.

Petunjuk pengoperasian

- ▶ **Sebelum mulai dengan pekerjaan pada perkakas listrik, tariklah steker dari stopkontak.**

Mengetam (lihat gambar N)

Atur ketebalan pengetaman yang diinginkan dan atur posisi perkakas listrik dengan bagian depan tapak ketam (8) berada di permukaan benda kerja.

- ▶ **Hidupkan terlebih dahulu perkakas listrik, kemudian perkakas listrik didekatkan pada benda kerja.** Jika tidak, terdapat bahaya sentakan jika alat kerja tersangkut dalam benda yang dikerjakan.

Hidupkan perkakas listrik dan dorongkan perkakas listrik dengan tekanan yang sama pada permukaan yang dikerjakan.

Untuk mencapai hasil kerja permukaan yang bagus, dorong perkakas listrik dengan tekanan yang ringan dan bebaskan tekanan ke bagian tengah dari tapak ketam.

Jika mengerjakan bahan-bahan yang keras, misalnya kayu keras, serta jika memanfaatkan kelebaran mengetam maksimal, setel ketebalan pengetaman yang kecil dan jika perlu, kurangi tekanan mendorong.

Tekanan yang terlalu kuat mengurangi mutu permukaan yang dihasilkan dan saluran serbuk bisa tersumbat.

Hanya dengan mata ketam yang tajam diperoleh hasil kerja yang bagus sehingga memelihara daya tahan perkakas listrik.

Sandaran kaki (29) yang terintegrasi memungkinkan proses mengetam berlanjut setelah terhenti di area-area tertentu pada benda kerja:

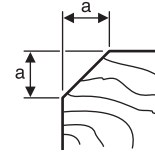
- Letakkan perkakas listrik dengan kaki sandaran dibalikkan ke bawah pada benda yang dikerjakan di mana pengetaman akan dilanjutkan.
- Hidupkan perkakas listrik.
- Gunakan pegangan untuk mendorong pada bagian depan tapak ketam dan dorong perkakas listrik perlahan ke depan (⊙). Hal ini akan menggerakkan sandaran kaki (⊙) ke atas sehingga bagian belakang tapak ketam akan kembali berada di permukaan benda kerja.
- Jalankan perkakas listrik dengan tekanan yang stabil pada permukaan atas benda yang dikerjakan (⊙).

Membuang pinggirannya yang tajam (lihat gambar O)

Baut V yang terdapat pada bagian depan tapak ketam memungkinkan pinggirannya yang tajam dapat dibuang dengan

cepat dan mudah. Gunakan baut V yang sesuai dengan lebar kemiringan yang diinginkan. Letakkan mesin ketam dengan baut V ke atas pinggirannya yang tajam dan jalankan mesin ke sepanjang pinggirannya tersebut.

Baut yang digunakan	Dimensi a (mm)
Tidak ada	0 - 4
kecil	2 - 6
sedang	4 - 9
besar	6 - 10



Mengetam dengan mistar sejajar/sudut (lihat gambar K-M)

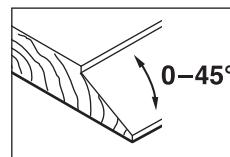
Pasang masing-masing mistar sejajar (21) atau mistar sudut (25) dengan sekrup pengencang (24) ke perkakas listrik. Menyesuaikan penggunaannya, pasang penahan kedalaman ketam (28) menggunakan sekrup pengencang (27) pada perkakas listrik.

Kendurkan mur pengunci (23) dan atur kelebaran bertingkat yang diinginkan pada skala (22). Kencangkan kembali mur pengunci (23).

Atur kelebaran bertingkat yang diinginkan menggunakan penahan kedalaman ketam (28).

Lakukan pekerjaan mengetam beberapa kali sampai kedalaman bertingkat yang diperlukan tercapai. Dorong mesin ketam sambil ditekan dari samping.

Membuang pinggirannya dengan mistar sudut



Saat membuang pinggirannya ketam dan permukaan ketam, atur sudut miring menggunakan penyetalan sudut (26).

Perawatan dan servis

Perawatan dan pembersihan

- ▶ **Sebelum mulai dengan pekerjaan pada perkakas listrik, tariklah steker dari stopkontak.**
- ▶ **Perkakas listrik dan lubang ventilasi harus selalu dibersihkan agar perkakas dapat digunakan dengan baik dan aman.**

Pastikan sandaran kaki (29) bekerja secara leluasa dan bersihkan dengan rutin.

Jika karbon dinamo habis, perkakas listrik akan berhenti sendiri. Perkakas listrik harus dikirimkan ke layanan pelanggan untuk perawatan, alamat dapat dilihat pada bab "Layanan Pelanggan dan Layanan Penggunaan".

Jika kabel listrik harus diganti, pekerjaan ini harus dilakukan oleh Bosch atau Service Center untuk perkakas listrik Bosch yang resmi, agar keselamatan kerja selalu terjamin.

Mengganti tali ban penggerak (lihat gambar P-Q)

Kendurkan sekrup (6) dan lepaskan pelindung tali ban (7). Lepaskan tali ban penggerak (30) yang sudah usang.

Sebelum memasang tali ban penggerak (30) yang baru, bersihkan kedua roda penggerak (31) dan (32).

Pasang terlebih dulu tali penggerak ban (30) yang baru ke roda tali kecil (32) dan tekan tali penggerak ban (30) ke roda tali yang besar (31) dengan cara diputar menggunakan tangan.

Pastikan tali penggerak ban (30) bergerak tepat di dalam alur roda penggerak (31) atau (32).

Pasang pelindung tali ban (7) dan kencangkan sekrup (6).

Layanan pelanggan dan konsultasi penggunaan

Layanan pelanggan Bosch menjawab semua pertanyaan Anda tentang reparasi dan perawatan serta tentang suku cadang produk ini. Gambaran teknis (exploded view) dan informasi mengenai suku cadang dapat ditemukan di:

www.bosch-pt.com

Tim konsultasi penggunaan Bosch akan membantu Anda menjawab pertanyaan seputar produk kami beserta aksesorinya.

www.powertool-portal.de, portal internet untuk perajin dan tukang.

Jika Anda hendak menanyakan sesuatu atau memesan suku cadang, selalu sebutkan nomor model yang terdiri atas 10 angka dan tercantum pada label tipe produk.

Indonesia

PT Robert Bosch
Palma Tower 10th Floor
Jalan RA Kartini II-S Kaveling 6
Pondok Pinang, Kebayoran Lama
Jakarta Selatan 12310
Tel.: (021) 3005 5800
Fax: (021) 3005 5801
E-Mail: boschpowertools@id.bosch.com
www.bosch-pt.co.id

Cara membuang

Perkakas listrik, aksesoris, dan kemasan sebaiknya didaur ulang secara ramah lingkungan.



Jangan membuang perkakas listrik ke dalam sampah rumah tangga!

Tiếng Việt

Hướng dẫn an toàn

Hướng dẫn an toàn chung cho dụng cụ điện

⚠ CẢNH BÁO Hãy đọc toàn bộ các cảnh báo an toàn, hướng dẫn, hình ảnh và thông số kỹ thuật được cung cấp cho dụng cụ điện cầm tay này. Không tuân thủ

mọi hướng dẫn được liệt kê dưới đây có thể bị điện giật, gây cháy và/hay bị thương tật nghiêm trọng.

Hãy giữ tất cả tài liệu về cảnh báo và hướng dẫn để tham khảo về sau.

Thuật ngữ "dụng cụ điện cầm tay" trong phần cảnh báo là để cập đến sự sử dụng dụng cụ điện cầm tay của bạn, loại sử dụng điện nguồn (có dây cắm điện) hay vận hành bằng pin (không dây cắm điện).

Khu vực làm việc an toàn

- ▶ **Giữ nơi làm việc sạch và đủ ánh sáng.** Nơi làm việc bừa bộn và tối tăm dễ gây ra tai nạn.
- ▶ **Không vận hành dụng cụ điện cầm tay trong môi trường dễ gây nổ, chẳng hạn như nơi có chất lỏng dễ cháy, khí đốt hay rác.** Dụng cụ điện cầm tay tạo ra các tia lửa nên có thể làm rác bén cháy hay bốc khói.
- ▶ **Không để trẻ em hay người đến xem đứng gần khi vận hành dụng cụ điện cầm tay.** Sự phân tâm có thể gây ra sự mất điều khiển.

An toàn về điện

- ▶ **Phích cắm của dụng cụ điện cầm tay phải thích hợp với ổ cắm.** Không bao giờ được cài biến lại phích cắm dưới mọi hình thức. Không được sử dụng phích tiếp hợp nối tiếp đất (dây mát). Phích cắm nguyên bản và ổ cắm đúng loại sẽ làm giảm nguy cơ bị điện giật.
- ▶ **Tránh không để thân thể tiếp xúc với đất hay các vật có bề mặt tiếp đất như đường ống, lò sưởi, hàng rào và tủ lạnh.** Có nhiều nguy cơ bị điện giật hơn nếu cơ thể bạn bị tiếp hay nối đất.
- ▶ **Không được để dụng cụ điện cầm tay ngoài mưa hay ở tình trạng ẩm ướt.** Nước vào máy sẽ làm tăng nguy cơ bị điện giật.
- ▶ **Không được lạm dụng dây dẫn điện.** Không bao giờ được nắm dây dẫn để xách, kéo hay rút phích cắm dụng cụ điện cầm tay. Không để dây gần nơi có nhiệt độ cao, dầu nhớt, vật nhọn bén và bộ phận chuyển động. Làm hỏng hay cuộn rối dây dẫn làm tăng nguy cơ bị điện giật.
- ▶ **Khi sử dụng dụng cụ điện cầm tay ngoài trời, dùng dây nối thích hợp cho việc sử dụng ngoài trời.** Sử dụng dây nối thích hợp cho việc sử dụng ngoài trời làm giảm nguy cơ bị điện giật.
- ▶ **Nếu việc sử dụng dụng cụ điện cầm tay ở nơi ẩm ướt là không thể tránh được, dùng thiết bị ngắt mạch tự động (RCD) bảo vệ nguồn.** Sử dụng thiết bị ngắt mạch tự động RCD làm giảm nguy cơ bị điện giật.

An toàn cá nhân

- ▶ **Hãy tỉnh táo, biết rõ mình đang làm gì và hãy sử dụng ý thức khi vận hành dụng cụ điện cầm tay.** Không sử dụng dụng cụ điện cầm tay khi đang mệt mỏi hay đang bị tác động do chất gây nghiện, rượu hay được phẩm gây ra. Một thoáng mất tập trung khi đang vận hành

dụng cụ điện cầm tay có thể gây thương tích nghiêm trọng cho bản thân.

- ▶ **Sử dụng trang bị bảo hộ cá nhân.** Luôn luôn đeo kính bảo vệ mắt. Trang bị bảo hộ như khẩu trang, giày chống trượt, nón bảo hộ, hay dụng cụ bảo vệ tai khi được sử dụng đúng nơi đúng chỗ sẽ làm giảm nguy cơ thương tật cho bản thân.
- ▶ **Phòng tránh máy khởi động bất ngờ.** Bảo đảm công tắc máy ở vị trí tắt trước khi cắm vào nguồn điện và/hay lắp pin vào, khi nhắc máy lên hay khi mang xách máy. Ngáng ngón tay vào công tắc máy để xách hay kích hoạt dụng cụ điện cầm tay khi công tắc ở vị trí mở để dẫn đến tai nạn.
- ▶ **Lấy mọi chìa hay khóa điều chỉnh ra trước khi mở điện dụng cụ điện cầm tay.** Khóa hay chìa còn gắn dính vào bộ phận quay của dụng cụ điện cầm tay có thể gây thương tích cho bản thân.
- ▶ **Không rướn người.** Luôn luôn giữ tư thế đứng thích hợp và thăng bằng. Điều này tạo cho việc điều khiển dụng cụ điện cầm tay tốt hơn trong mọi tình huống bất ngờ.
- ▶ **Trang phục thích hợp.** Không mặc quần áo rộng lủng thụng hay mang trang sức. Giữ tóc và quần áo xa khỏi các bộ phận chuyển động.
- ▶ **Nếu có các thiết bị đi kèm để nối máy hút bụi và các phụ kiện khác, bảo đảm các thiết bị này được nối và sử dụng tốt.** Việc sử dụng các thiết bị gom hút bụi có thể làm giảm các độc hại liên quan đến bụi gây ra.
- ▶ **Không để thói quen do sử dụng thường xuyên dụng cụ khiến bạn trở nên chủ quan và bỏ qua các quy định an toàn dụng cụ.** Một hành vi bất cẩn có thể gây ra thương tích nghiêm trọng chỉ trong tích tắc.

Sử dụng và bảo dưỡng dụng cụ điện cầm tay

- ▶ **Không được ép máy.** Sử dụng dụng cụ điện cầm tay đúng loại theo đúng ứng dụng của bạn. Dụng cụ điện cầm tay đúng chức năng sẽ làm việc tốt và an toàn hơn theo đúng tiến độ mà máy được thiết kế.
- ▶ **Không sử dụng dụng cụ điện cầm tay nếu như công tắc không tắt và mở được.** Bất kỳ dụng cụ điện cầm tay nào mà không thể điều khiển được bằng công tắc là nguy hiểm và phải được sửa chữa.
- ▶ **Rút phích cắm ra khỏi nguồn điện và/hay pin ra khỏi dụng cụ điện cầm tay nếu có thể tháo được, trước khi tiến hành bất kỳ điều chỉnh nào, thay phụ kiện, hay cắt dụng cụ điện cầm tay.** Các biện pháp ngăn ngừa như vậy làm giảm

nguy cơ dụng cụ điện cầm tay khởi động bất ngờ.

- ▶ **Cắt giữ dụng cụ điện cầm tay không dùng tới nơi trẻ em không lấy được và không cho người chưa từng biết dụng cụ điện cầm tay hay các hướng dẫn này sử dụng dụng cụ điện cầm tay.** Dụng cụ điện cầm tay nguy hiểm khi ở trong tay người chưa được chỉ cách sử dụng.
- ▶ **Bảo quản dụng cụ điện cầm tay và các phụ kiện.** Kiểm tra xem các bộ phận chuyển động có bị sai lệch hay kẹt, các bộ phận bị rạn nứt và các tình trạng khác có thể ảnh hưởng đến sự vận hành của máy. Nếu bị hư hỏng, phải sửa chữa máy trước khi sử dụng. Nhiều tai nạn xảy ra do bảo quản dụng cụ điện cầm tay tồi.
- ▶ **Giữ các dụng cụ cắt bén và sạch.** Bảo quản đúng cách các dụng cụ cắt có cạnh cắt bén làm giảm khả năng bị kẹt và dễ điều khiển hơn.
- ▶ **Sử dụng dụng cụ điện cầm tay, phụ kiện, đầu cài v. v., đúng theo các chỉ dẫn này, hãy lưu ý đến điều kiện làm việc và công việc phải thực hiện.** Sự sử dụng dụng cụ điện cầm tay khác với mục đích thiết kế có thể tạo nên tình huống nguy hiểm.
- ▶ **Giữ tay cầm và bề mặt nắm luôn khô ráo, sạch sẽ và không dính dầu mỡ.** Tay cầm và bề mặt nắm trơn trượt không đem lại thao tác an toàn và kiểm soát dụng cụ trong các tình huống bất ngờ.

Bảo dưỡng

- ▶ **Đưa dụng cụ điện cầm tay của bạn đến thợ chuyên môn để bảo dưỡng, chỉ sử dụng phụ tùng đúng chủng loại để thay.** Điều này sẽ đảm bảo sự an toàn của máy được giữ nguyên.

Các Nguyên Tắc An Toàn Dành Cho Máy Bào

- ▶ **Chờ máy cắt dừng hẳn trước khi lấy dụng cụ xuống.** Máy cắt đang quay hờ có thể tiếp xúc với bề mặt dẫn đến mất kiểm soát và thương tích nghiêm trọng.
- ▶ **Cắm dụng cụ điện tại các bề mặt cầm nắm có cách điện, vì máy cắt có thể chạm vào chính dây điện của thiết bị.** Cắt một dây "có điện" có thể làm cho các phần kim loại hờ của dụng cụ điện cầm tay có điện và có thể gây ra điện giật cho người vận hành.
- ▶ **Sử dụng các kẹp hoặc cách thực tiễn khác để cố định và đỡ phôi gia công vào sàn thao tác cố định.** Việc cầm phôi gia công bằng tay hoặc tựa người vào phôi gia công làm cho nó dễ đổ và có thể dẫn đến mất kiểm soát.
- ▶ **Chỉ cho máy gia công vật liệu khi máy đã hoạt động.** Nếu không làm vậy thì sẽ có nguy

cơ bị giật ngược do dụng cụ cắt bị kẹt chặt trong vật gia công.

- ▶ **Không cắm vào bộ phận vỏ bảo bằng tay.** Nó có thể làm bạn bị thương ở các bộ phận xoay.
- ▶ **Không bảo phẳng bằng các vật thể kim loại, đinh hoặc vít.** Lưỡi bào và trục bào có thể bị hư hỏng và làm gia tăng sự rung lắc.
- ▶ **Dùng thiết bị dò tìm thích hợp để xác định nếu có các công trình công cộng lắp đặt ngầm trong khu vực làm việc hay liên hệ với Cty công trình công cộng địa phương để nhờ hỗ trợ.** Dùng chạm đường dẫn điện có thể gây ra hỏa hoạn và điện giật. Làm hư hại đường dẫn khí ga có thể gây nổ. Làm thủng đường dẫn nước gây hư hỏng tài sản hay có khả năng gây ra điện giật.
- ▶ **Khi làm việc, hãy luôn giữ dụng cụ bảo sao cho để bảo đặt phẳng với phôi gia công.** Nếu không áp dụng như vậy, máy bào có thể bị găm xước xuống và gây thương tích.
- ▶ **Giữ máy thật chắc bằng cả hai tay trong khi làm việc và luôn luôn giữ tư thế đứng cho thích hợp và cân bằng.** Dùng hai tay để điều khiển máy thì an toàn hơn.

Mô Tả Sản Phẩm và Đặc Tính Kỹ Thuật



Đọc kỹ mọi cảnh báo an toàn và mọi hướng dẫn. Không tuân thủ mọi cảnh báo và hướng dẫn được liệt kê dưới đây có thể bị điện giật, gây cháy và / hay bị thương tật nghiêm trọng.

Xin lưu ý các hình minh hoạt trong phần trước của hướng dẫn vận hành.

Sử dụng đúng cách

Máy được thiết kế để bào các vật liệu gỗ dùng chẳng chống ổn định, ví dụ như xà gỗ, ván tấm. Máy cũng thích hợp để tạo cạnh xiên và mộng xoi.

Các bộ phận được minh họa

Sự đánh số các biểu trưng của sản phẩm là để tham khảo hình minh họa của máy trên trang hình ảnh.

- (1) Thước tỉ lệ cỡ sâu bào
- (2) Núm điều chỉnh cỡ sâu (bề mặt nắm cách điện)
- (3) Vít khóa cầu thanh
- (4) Nút khoá giữ chế độ tự-chạy của công tắc Tắt/Mở
- (5) Công tắc Tắt/Mở
- (6) Vít bắt nắp chụp dây đai
- (7) Nắp chụp dây đai
- (8) Khuôn đế máy bào
- (9) Dưỡng khí xả chữ V

- (10) Chia vận gia lực đều bằng
- (11) Vít bắt vấu kẹp
- (12) Vấu kẹp
- (13) Tang trống dao
- (14) Rãnh dẫn hướng lưỡi bào
- (15) Lưỡi bào thép gió HSS
- (16) Nẹp kẹp lưỡi bào thép gió HSS
- (17) Vít lắp bắt nẹp kẹp lưỡi bào thép gió HSS
- (18) Thiết bị dùng để mài lưỡi bào thép gió HSS
- (19) Cữ định cỡ lưỡi bào thép gió HSS
- (20) Lưỡi bào cac-bua (TC)^{A)}
- (21) Dưỡng Cặp Cận
- (22) Thước đo chiều rộng bào xoi
- (23) Đai ốc khóa chỉnh đặt chiều rộng bào xoi
- (24) Vít bắt dưỡng cặp cận/cạnh xiên
- (25) Dưỡng cạnh xiên^{A)}
- (26) Đai ốc khóa để điều chỉnh cạnh xiên^{A)}
- (27) Vít bắt cữ chặn độ sâu bào xoi^{A)}
- (28) Cữ chặn độ sâu bào xoi^{A)}
- (29) Gá Đỡ
- (30) Dây đai truyền động
- (31) Puli lớn
- (32) Puli nhỏ
- (33) Tay nắm (bề mặt nắm cách điện)
- (34) Đầu chuyển đổi lưỡi bào thép gió HSS thành lưỡi bào TC^{A)}

A) Phụ tùng được trình bày hay mô tả không phải là một phần của tiêu chuẩn hàng hóa được giao kèm theo sản phẩm. Bạn có thể tham khảo tổng thể các loại phụ tùng, phụ kiện trong chương trình phụ tùng của chúng tôi.

Thông số kỹ thuật

Máy bào	GHO 6500	
Mã số máy	0 601 596 0..	
Công suất vào danh định	W	650
Tốc độ không tải	min ⁻¹	16500
Cỡ sâu bào	mm	0 – 2,6
Cỡ sâu bào xoi	mm	0 – 9
Bề rộng bào, tối đa	mm	82
Trọng lượng theo Qui trình EPTA-Procedure 01:2014	kg	2,8
Cấp độ bảo vệ	□/II	

Các giá trị đã cho có hiệu lực cho điện thế danh định [U] 230 V. Đối với điện thế thấp hơn và các loại máy dành riêng cho một số quốc gia, các giá trị này có thể thay đổi.

Sự lắp vào

- ▶ **Trước khi tiến hành bất cứ việc gì trên máy, kéo phích cắm điện nguồn ra.**

Chọn Lựa Lưỡi Bào

Dụng cụ điện có thể thích hợp với nhiều loại lưỡi bào khác nhau.

Do lắp đầu chuyển đổi (34) (phụ kiện), dụng cụ điện có thể được chuyển từ lưỡi bào thép gió HSS (15) thành lưỡi bào cac-bua (TC) (20).

Khi thay lưỡi bào, luôn luôn thay cả hai lưỡi; nếu không làm như vậy, sự mất cân đối có thể làm cho sự rung động phát sinh, làm giảm tuổi thọ của dụng cụ điện.

Thay Lưỡi Bào Thép Gió HSS

- **Thận trọng khi thay lưỡi bào. Không chạm vào cạnh cắt của lưỡi bào.** Có nguy cơ bị thương tích do cạnh cắt sắc bén của lưỡi bào gây ra.

Tháo Lưỡi bào (xem Hình A–C)

- Để thay lưỡi bào, hãy xoay tang trống dao (13), cho đến khi vấu kẹp (12) nằm song song với khuôn đế máy bào (8).
- Vặn 3 vít bắt (11) bằng chìa vặn gia lực đầu bằng (10) và tháo vấu kẹp (12) ra.
- Đẩy nẹp kẹp (16) cùng với lưỡi bào (15) ra khỏi tang trống dao (13) hoặc rãnh dẫn hướng (14).
- Xoay tang trống dao 180° và tháo lưỡi bào thứ 2.

Lưu ý: Trước khi thay hoặc mài lưỡi bào, hãy tháo nẹp kẹp (16) bằng cách nới lỏng vít bắt (17).

Mài sắc lưỡi bào thép gió HSS (xem Hình D)

Bằng cách sử dụng dụng cụ mài (18) (phụ kiện) và đá mài tiêu chuẩn, bạn có thể mài sắc lưỡi bào HSS đã mòn hoặc bị cùn.

Lắp cả hai lưỡi bào vào trong thiết bị mài và kẹp chặt lại bằng bu-long tai vặn. Đảm bảo rằng cả hai lưỡi bào đã lắp vào hết bên trong.

Chuyển dịch thiết bị mài có lắp lưỡi bào một cách đồng đều và áp nhẹ lên đá mài.

Lưu ý: Chỉ được phép mài lưỡi bào tối đa 6 mm trên bề rộng tối thiểu là 23 mm. Sau đó, phải thay cả hai lưỡi bào ra.

Lắp lưỡi bào (xem Hình E–F)

Trước khi lắp lại lưỡi bào mới hoặc đã mài sắc, hãy vệ sinh tang trống dao (13) và nếu cần cả lưỡi bào (15) và nẹp kẹp (16). Làm sạch lưỡi bào bị bám dày nhựa mù bằng cồn hay dầu lửa.

Lưu ý: Phải luôn hiệu chỉnh lưỡi bào mới hoặc đã mài sắc theo chiều cao đã điều chỉnh trước khi lắp.

Cữ định cỡ (19) (phụ kiện) được sử dụng để điều chỉnh chiều cao của lưỡi bào. Đặt lưỡi bào (15) và nẹp kẹp (16) vào cỡ định cỡ. Lưu ý sao cho nẹp kẹp (16) cặp vào rãnh quy định. Ấn lưỡi bào (15) tỉ vào cỡ chặn và cố định nẹp kẹp (16) ở vị trí này bằng vít (17). Động tác này sẽ tự động điều chỉnh đúng độ cao.

Lưỡi bào phải **được lắp và căn chỉnh chính giữa khuôn đế máy bào (8)**. Tiếp theo, xiết chặt 3 vít bắt (11) bằng chìa vặn gia lực đầu bằng (10). Tuân thủ thứ tự xiết (①②③) cho sẵn trên vấu kẹp (12).

Lưu ý: Kiểm tra độ chặt của các vít bắt trước khi vận hành dụng cụ (11). Xoay tang trống dao (13) bằng tay và đảm bảo rằng lưỡi bào không chạm vào bất cứ thứ gì.

Thay Lưỡi Cac-bua (TC)

- **Thận trọng khi thay lưỡi bào. Không chạm vào cạnh cắt của lưỡi bào.** Có nguy cơ bị thương tích do cạnh cắt sắc bén của lưỡi bào gây ra.

Chỉ sử dụng lưỡi bào cac-bua (TC) chính hãng Bosch.

Lưỡi bào cac-bua (TC) có 2 cạnh cắt, và có thể chuyển đổi qua lại được. Nếu cả hai cạnh cắt đều cùn, cần phải thay lưỡi bào (20). Lưỡi bào cac-bua (TC) có thể không nên mài cho bén lại.

Tháo Lưỡi bào (xem Hình G–H)

- Để sử dụng hoặc thay thế lưỡi bào, hãy xoay tang trống dao (13) cho đến khi vấu kẹp (12) nằm song song với khuôn đế máy bào (8).
- Nới lỏng 3 vít bắt khoảng 1-2 vòng (11) bằng chìa vặn gia lực đầu bằng (10). Không được tháo vấu kẹp (12) ra.
- Xoay tang trống dao một chút và đẩy lưỡi bào bằng một mẫu gỗ (20) ra khỏi tang trống dao (13).
- Xoay tang trống dao 180° và tháo lưỡi bào thứ 2.

Lắp lưỡi bào (xem Hình I–J)

Rãnh dẫn hướng của lưỡi bào luôn luôn đảm bảo giữ không đổi chiều cao đã điều chỉnh hay khi đổi cạnh.

Nếu cần, hãy vệ sinh đế cầm dao trong tang trống dao (13) và lưỡi bào (20).

Lưu ý lắp lưỡi dao sao cho lưỡi dao nằm hoàn hảo trong rãnh lắp của tang trống dao (13).

Lưỡi bào phải **được lắp và căn chỉnh chính giữa khuôn đế máy bào (8)**. Tiếp theo, xiết chặt 3 vít bắt (11) bằng chìa vặn gia lực đầu bằng (10). Tuân thủ thứ tự xiết (①②③) cho sẵn trên vấu kẹp (12).

Lưu ý: Kiểm tra độ chặt của các vít bắt trước khi vận hành dụng cụ (11). Xoay tang trống dao (13) bằng tay và đảm bảo rằng lưỡi bào không chạm vào bất cứ thứ gì.

Sử dụng đầu chuyển đổi Cac-bua/TC

Chuyển đổi từ Thép gió HSS sang Cac-bua TC

Với đầu chuyển đổi Cac-bua/TC, dao bào được trang bị lưỡi bào thép gió HSS có thể được chuyển đổi thành lưỡi bào cac-ba (TC).

- Vặn 3 vít bắt (11) bằng chìa vặn gia lực đầu bằng (10) và tháo vấu kẹp (12) ra.

- Đẩy nẹp kẹp (16) cùng với lưỡi bào (15) ra khỏi tang trống dao (13) hoặc rãnh dẫn hướng (14).
- Tháo vít (17) ra.
- Lắp nẹp kẹp (16) và đầu chuyển đổi (34) vào cỡ định cỡ (19). Nẹp kẹp (16) phải khớp vào rãnh trên cỡ định cỡ (xem Hình R).
- Đẩy lưỡi bào cac-ba (TC) (20) vào đầu chuyển đổi (34). Dài trên đầu chuyển đổi (34) phải cặp vào rãnh trên lưỡi bào cac-bua (TC) (xem Hình R).
- Xiết chặt vít (17).
- Lắp nẹp kẹp (16) cùng với đầu chuyển đổi (34) và lưỡi bào (15) vào tang trống dao (13) hoặc rãnh dẫn hướng (14).
- Đặt vấu kẹp lên (12) và xiết vít lỏng tay (11).
- Lưỡi bào phải được lắp và căn chỉnh **chính giữa khuôn đế máy bào (8)**. Tiếp theo, xiết chặt 3 vít bắt (11) bằng chìa vặn gia lực đầu bằng (10). Tuân thủ thứ tự xiết (①②③) vấu kẹp (12) được quy định.

Chuyển đổi từ Thép gió HSS sang Cac-bua/TC

Với dao bào được trang bị lưỡi bào cac-bua (TC), có thể chuyển đổi sang lưỡi bào thép gió HSS.

- Vặn 3 vít bắt (11) bằng chìa vặn gia lực đầu bằng (10) và tháo vấu kẹp (12) ra.
- Đẩy nẹp kẹp (16) cùng với lưỡi bào (15) hoặc đầu chuyển đổi cac-bua (TC) (34) ra khỏi tang trống dao (13).
- Tháo vít (17) ra.
- Lắp nguyên cụm lưỡi bào thép gió HSS (xem „Lắp lưỡi bào (xem Hình E-F)“, Trang 51) và căn chỉnh **chính giữa khuôn đế máy bào (8)**.
- Đặt vấu kẹp lên (12) và xiết chặt 3 vít bắt (11) bằng chìa vặn gia lực đầu bằng (10). Tuân thủ thứ tự xiết (①②③) vấu kẹp (12) được quy định.

Hút Dăm/Bụi

Mạt bụi từ các vật liệu được sơn phủ ngoài có chứa chì trên một số loại gỗ, khoáng vật và kim loại có thể gây nguy hại đến sức khỏe con người. Đụng chạm hay hít thở các bụi này có thể làm người sử dụng hay đứng gần bị dị ứng và/hoặc gây nhiễm trùng hệ hô hấp.

Một số mặt bụi cụ thể, ví dụ như bụi gỗ sồi hay dâu, được xem là chất gây ung thư, đặc biệt là có liên quan đến các chất phụ gia dùng xử lý gỗ (chất cromat, chất bảo quản gỗ). Có thể chỉ nên để thợ chuyên môn gia công các loại vật liệu có chứa amiăng.

- Cách xa ở mức có thể được, sử dụng hệ thống hút thích hợp cho loại vật liệu.
- Tạo không khí thông thoáng nơi làm việc.
- Khuyến nghị nên mang mặt nạ phòng độc có bộ lọc cấp P2.

Tuân thủ các qui định của quốc gia bạn liên quan đến loại vật liệu gia công.

- ▶ **Tránh không để rác tích tụ tại nơi làm việc.** Rác có thể dễ dàng bắt lửa.

Làm sạch phoi (3) đều đặn. Sử dụng một dụng cụ thích hợp để làm sạch phoi bị tắc, ví dụ như que gỗ, khí nén v.v.

- ▶ **Không cắm vào bộ phun vô bào bằng tay.** Nó có thể làm bạn bị thương ở các bộ phận xoay. Để đảm bảo việc hút vô bào/mạt cưa được tốt nhất, luôn luôn sử dụng máy hút bụi đặt bên ngoài hay túi đựng mạt cưa/dầm bào.

Vận Hành

Chế độ hoạt động

Điều Chỉnh Độ Sâu bào

Với núm xoay (2), có thể điều chỉnh độ sâu bào từ 0–2,6 mm nhờ thước tỷ lệ độ sâu bào (1) (vạch thước = 0,1 mm).

Gá đỡ (xem Hình N)

Gá đỡ (29) cho phép tắt dụng cụ điện ngay lập tức sau khi thao tác mà không có nguy cơ làm hư hại phôi gia công hoặc lưỡi bào. Trong khi thao tác, gá đỡ (29) được hất lên và phần sau của khuôn đế máy bào (8) được kích hoạt.

Bắt Đầu Vận Hành

- ▶ **Hãy cẩn thận với nguồn điện! Điện thế nguồn phải đúng với điện thế đã ghi rõ trên nhãn máy. Dụng cụ điện được ghi 230 V cũng có thể được vận hành ở 220 V.**

Bật Mở và Tắt

- ▶ **Hãy đảm bảo rằng, bạn có thể nhấn Công tắc bật/tắt, mà không cần nhả tay nắm.**

Để vận hành thử dụng cụ điện hãy nhấn công tắc Tắt/Mở (5) và nhấn giữ.

Để khóa công tắc Tắt/Mở đã nhấn (5) hãy nhấn nút khóa giữ (4).

Để tắt dụng cụ điện, hãy nhả công tắc Tắt/Mở (5) hoặc nếu nó được khóa bằng nút khóa giữ (4), hãy nhấn nhanh công tắc Tắt/Mở (5) rồi nhả.

Hướng Dẫn Sử Dụng

- ▶ **Trước khi tiến hành bất cứ việc gì trên máy, kéo phích cắm điện nguồn ra.**

Quá trình bào (xem Hình N)

Nếu bạn điều chỉnh độ sâu bào và đặt dụng cụ điện với phần phía trước của khuôn đế máy bào (8) vào phôi gia công.

- ▶ **Chỉ cho máy gia công vật liệu khi máy đã hoạt động.** Nếu không làm vậy thì sẽ có nguy cơ bị giật ngược do dụng cụ cắt bị kẹp chặt trong vật gia công.

Bật công tắc cho máy hoạt động và đẩy máy cho gia tải đồng đều lên khắp bề mặt được gia công bào.

Để đạt được bề mặt có chất lượng cao, chỉ cho gia tải với cường độ thấp và tạo lực áp nhẹ lên chính giữa khuôn đế máy bào.

Khi gia công các vật liệu cứng (vd., gỗ cứng) cũng như khi tận dụng tối đa bề rộng máy bào, chỉ nên chỉnh đặt cỡ sâu bào thấp và làm giảm sự gia tải như khi thấy cần.

Sự cho gia tải quá mức làm giảm chất lượng bề mặt và có thể mau chóng làm tắt nghẽn bộ phận tổng dẫn bào.

Chỉ có các lưỡi bào sắc bén mới tạo hiệu quả bào tốt và kéo dài tuổi thọ máy.

Gá đỡ tích hợp (29) cho phép tiếp tục quá trình bào sau khi tạm dừng ở vị trí bất kỳ của phôi gia công:

- Với gá đỡ được gập xuống, đặt máy ngay lên trên vật gia công, ở vị trí mà việc gia công bào còn được tiếp tục.
- Bật công tắc cho máy hoạt động.
- Di chuyển áp lực tiếp xúc đến phần trước của khuôn đế máy bào và đẩy dụng cụ điện từ từ tiến về phía trước (❶). Trong khi đó, gá đỡ được gạt lên (❷), nhờ đó phần sau của khuôn đế máy bào lại tì vào phôi gia công.
- Đẩy đều tay dụng cụ điện trên bề mặt cần gia công (❸).

Cạnh xiên (xem Hình O)

Dưỡng khía chữ V nằm ở phần trước khuôn đế máy bào cho phép tạo cạnh xiên ở cạnh vật gia công được nhanh và dễ dàng. Tùy theo độ rộng cạnh xiên cần có, sử dụng dưỡng khía chữ V thích hợp. Để thực hiện, đặt máy có ráp dưỡng khía chữ V lên trên cạnh vật gia công và đẩy máy dọc theo cạnh biên.

	Dưỡng được sử dụng	Kích thước a (mm)
	Không	0 - 4
	nhỏ	2 - 6
	trung bình	4 - 9
	lớn	6 - 10

Bào có trang bị dưỡng cặp cạnh/cạnh xiên (xem Hình K-M)

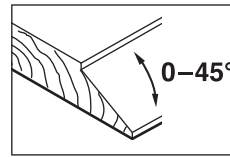
Lắp dưỡng cặp cạnh (21) hoặc dưỡng cạnh xiên (25) bằng vít bắt tương ứng (24) trên dụng cụ điện. Lắp cỡ chân cỡ sâu bào xoi tùy theo mục đích sử dụng (28) bằng vít (27) trên dụng cụ điện.

Nới lỏng đai ốc khóa (23) và điều chỉnh độ rộng mong muốn của bào xoi trên thước tỷ lệ (22). Xiết lại đai ốc khóa (23) thật chặt.

Điều chỉnh độ sâu bào xoi mong muốn bằng cỡ chặn độ sâu bào xoi (28) phù hợp.

Tiến hành qui trình bào xoi một vài lần cho đến khi có được cỡ sâu bào xoi theo yêu cầu. Đẩy máy bào với lực hỗ trợ lên một bên.

Tạo Cạnh Xiên bằng Dưỡng Cạnh Xiên



Điều chỉnh góc vát cần thiết ở cạnh xiên của bào xoi và bề mặt bằng cách điều chỉnh cạnh xiên (26).

Bảo Dưỡng và Bảo Quản

Bảo Dưỡng Và Làm Sạch

- ▶ Trước khi tiến hành bất cứ việc gì trên máy, kéo phích cắm điện nguồn ra.
- ▶ Để được an toàn và máy hoạt động đúng chức năng, luôn luôn giữ máy và các khe thông gió được sạch.

Giữ gá đỡ (29) sạch và vệ sinh thường xuyên.

Khi chổi than đã mòn hết, máy tự tắt. Dụng cụ điện phải được gửi đến bộ phận dịch vụ khách hàng để bảo dưỡng, địa chỉ xem ở mục "Dịch vụ khách hàng và tư vấn sử dụng".

Nếu như cần phải thay dây dẫn điện thì công việc này phải do hãng Bosch, hay một đại lý được Bosch ủy nhiệm thực hiện để tránh gặp sự nguy hiểm do mất an toàn.

Thay dây đai truyền động (xem Hình P-Q)

Mở vít (6) và nhấc nắp dây đai (7) ra. Tháo dây đai truyền động bị mòn (30).

Trước khi lắp dây đai truyền động mới (30), làm sạch cả hai bánh xe (31) và (32).

Trước tiên, lắp dây đai truyền động (30) vào bánh xe nhỏ (32) và sau đó ấn dây đai truyền động (30) vào bánh xe lớn bằng cách dùng tay xoay tròn (31). Lưu ý sao cho dây đai truyền động (30) chạy chính xác vào rãnh dọc của bánh xe (31) hoặc (32).

Lắp nắp dây đai (7) và xiết chặt vít (6).

Dịch vụ hỗ trợ khách hàng và tư vấn sử dụng

Bộ phận phục vụ hàng sau khi bán của chúng tôi trả lời các câu hỏi liên quan đến việc bảo dưỡng và sửa chữa các sản phẩm cũng như phụ tùng thay thế của bạn. Sơ đồ mô tả và thông tin về phụ tùng thay thế cũng có thể tra cứu theo dưới đây: www.bosch-pt.com

Đội ngũ tư vấn sử dụng của Bosch sẽ giúp bạn giải đáp các thắc mắc về sản phẩm và phụ kiện.

www.powertool-portal.de, cổng thông tin điện tử cho thợ thủ công và người làm việc vất.

Trong tất cả các phân hồi và đơn đặt phụ tùng, xin vui lòng luôn luôn nhập số hàng hóa 10 chữ số theo nhãn của hàng hóa.

Việt Nam

CN CÔNG TY TNHH BOSCH VIỆT NAM TẠI
TP.HCM

Tầng 14, Ngõ Nhà Đức, 33 Lê Duẩn
Phường Bến Nghé, Quận 1, Thành Phố Hồ Chí
Minh

Tel.: (028) 6258 3690

Fax: (028) 6258 3692 - 6258 3694

Hotline: (028) 6250 8555

Email: tuvankhachhang-pt@vn.bosch.com

www.bosch-pt.com.vn

www.baohanhbosch-pt.com.vn

Campuchia

Công ty TNHH Robert Bosch (Campuchia)

Đơn nguyên 8BC, GT Tower, Tầng 08,
Đường 169, Tiệp Khắc Blvd, Sangkat Veal Vong,
Khan 7 Makara, Phnom Penh

VAT TIN: 100 169 511

Tel.: +855 23 900 685

Tel.: +855 23 900 660

www.bosch.com.kh

Sự thải bỏ

Máy, linh kiện và bao bì phải được phân loại để tái
chế theo hướng thân thiện với môi trường.



Không được thải bỏ dụng cụ điện vào chung
với rác sinh hoạt!

◀ إن لم يكن بالإمكان تجنب تشغيل العدة الكهربائية في الأجواء الرطبة، فاستخدم مفتاح للوقاية من التيار المتخلف. إن استخدام مفتاح للوقاية من التيار المتخلف يقلل خطر الصدمات الكهربائية.

أمان الأشخاص

◀ كن يقظاً وانتبه إلى ما تفعله واستخدم العدة الكهربائية بتعقل. لا تستخدم عدة كهربائية عندما تكون متعباً أو عندما تكون تحت تأثير المخدرات أو الكحول أو الأدوية. عدم الانتباه للحظة واحدة عند استخدام العدة الكهربائية قد يؤدي إلى إصابات خطيرة.

◀ قم لارتداء تجهيزات الحماية الشخصية. وارتد دائماً نظارات واقية. يحد ارتداء تجهيزات الحماية الشخصية، كقناع الوقاية من الغبار وأحذية الأمان الواقية من الانزلاق والخوذ أو واقية الأذنين، حسب ظروف استعمال العدة الكهربائية، من خطر الإصابة بجروح.

◀ تجنب التشغيل بشكل غير مقصود. تأكد من كون العدة الكهربائية مطفأة قبل توصيلها بالتيار الكهربائي و/أو بالمركم، وقبل رفعها أو حملها. إن كنت تضع إصبعك على المفتاح أثناء حمل العدة الكهربائية أو إن وصلت الجهاز بالشبكة الكهربائية بينما لامفتاح على وضع التشغيل، قد يؤدي إلى وقوع الحوادث.

◀ انزع أداة الضبط أو مفتاح الربط قبل تشغيل العدة الكهربائية. قد تؤدي الأداة أو المفتاح المتواجد في جزء دوار من الجهاز إلى الإصابة بجروح.

◀ تجنب أوضاع الجسم غير الطبيعية. قف بأمان وحافظ على توازنك دائماً. سيسمح لك ذلك بالتحكم في الجهاز بشكل أفضل في المواقف الغير متوقعة.

◀ قم بارتداء ثياب مناسبة. لا ترتد الثياب الفضفاضة أو الحلى. احرص على إبقاء الشعر والملابس بعيداً عن الأجزاء المتحركة. قد تتشابك الثياب الفضفاضة والحلى والشعر الطويل بالأجزاء المتحركة.

◀ إن جاز تركيب تجهيزات شفط وتجميع الغبار، فتأكد من أنها موصولة وبأنه يتم استخدامها بشكل سليم. قد يقلل استخدام تجهيزات لشفط الغبار من المخاطر الناتجة عن الغبار.

◀ لا تستخدم العدة الكهربائية بلا مبالاة وتتجاهل قواعد الأمان الخاصة بها نتيجة لتعودك على استخدام العدة الكهربائية وكثرة استخدامها. فقد يتسبب الاستخدام دون حرص في حدوث إصابة بالغة تحدث في أجزاء من الثانية.

حسن معاملة واستخدام العدد الكهربائية

◀ لا تفرط بتحميل الجهاز. استخدم لتنفيذ أشغالك العدة الكهربائية المخصصة لذلك. إنك تعمل بشكل أفضل وأكثر أماناً بواسطة العدة الكهربائية الملائمة في مجال المذكور.

◀ لا تستخدم العدة الكهربائية إن كان مفتاح تشغيلها تالف. العدة الكهربائية التي لم يعد من الممكن التحكم بها عن طريق مفتاح التشغيل والإطفاء تعتبر خطيرة ويجب أن يتم إصلاحها.

عربي

إرشادات الأمان

الإرشادات العامة للأمان بالعدد الكهربائية

◀ **تحذير** اطلع على كافة تحذيرات الأمان والتعليمات والصور

والمواصفات المرفقة بالعدة الكهربائية. عدم اتباع التعليمات الواردة أدناه قد يؤدي إلى حدوث صدمة كهربائية، إلى نشوب حريق و/أو الإصابة بجروح خطيرة.

احتفظ بجميع الملاحظات التحذيرية والتعليمات للمستقبل.

يقصد بمصطلح «العدة الكهربائية» المستخدم في الملاحظات التحذيرية، العدد الكهربائية الموصولة بالشبكة الكهربائية (بواسطة كابل الشبكة الكهربائية) وأيضاً العدد الكهربائية المزودة بمركم (دون كابل الشبكة الكهربائية).

الأمان بمكان الشغل

◀ حافظ على نظافة مكان شغلك وإضاءةه بشكل جيد. الفوضى في مكان الشغل ونظافات العمل غير المضاءة قد تؤدي إلى وقوع الحوادث.

◀ لا تشتغل بالعدة الكهربائية في نطاق معرض لخطر الانفجار مثل الأماكن التي تتوفر فيه السوائل أو الغازات أو الأعبرة القابلة للاشتعال. العدد الكهربائية تولد شرراً قد يتطاير، فيشعل الأعبرة والأبخرة.

◀ حافظ على بقاء الأطفال وغيرهم من الأشخاص بعيداً عندما تستعمل العدة الكهربائية. تشتت الانتباه قد يتسبب في فقدان السيطرة على الجهاز.

الأمان الكهربائي

◀ يجب أن يتلائم قابس العدة الكهربائية مع المقبس. لا يجوز تغيير القابس بأي حال من الأحوال. لا تستعمل القوايس المهينة مع العدد الكهربائية المؤرضة (ذات طرف أرضي). تخفض القوايس التي لم يتم تغييرها والمقابس الملائمة من خطر الصدمات الكهربائية.

◀ تجنب ملامسة جسمك للأسطح المؤرضة كالأنياب والمبردات والمواقد أو التلجيات. يزداد خطر الصدمات الكهربائية عندما يكون جسمك مؤرض أو موصل بالأرضي.

◀ أبعد العدة الكهربائية عن الأمطار أو الرطوبة. يزداد خطر الصدمات الكهربائية إن تسرب الماء إلى داخل العدة الكهربائية.

◀ لا تسئ استعمال الكابل. لا تستخدم الكابل في حمل العدة الكهربائية أو سحبها أو سحب القابس من المقبس. احرص على إبعاد الكابل عن الحرارة والزيت والمواف المادية أو الأجزاء المتحركة. تزيد الكابلات التالفة أو المتشابكة من خطر الصدمات الكهربائية.

◀ عند استخدام العدة الكهربائية خارج المنزل اقتصر على استخدام كابلات التمديد الصالحة للاستعمال الخارجي. يقلل استعمال كابل تمديد مخصص للاستعمال الخارجي من خطر الصدمات الكهربائية.

- ◀ لا تمرر العدة الكهربائية أبداً فوق القطع المعدنية والمسامير أو اللوالب. قد تتلف السكاكين ومحور إدارة السكاكين، فتؤدي إلى اهتزازات زائدة.
- ◀ استخدم أجهزة تنقيب ملائمة للعثور على خطوط الإمداد غير الظاهرة، أو استعن بشركة الإمداد المحلية. ملامسة الخطوط الكهربائية قد تؤدي إلى اندلاع النار وإلى الصدمات الكهربائية. حدوث أضرار ببط الغاز قد يؤدي إلى حدوث انفجارات. اختراق خط الماء يشكل الأضرار المادية أو قد يؤدي إلى الصدمات الكهربائية.
- ◀ اقبض على المسح أثناء الشغل دائماً بحيث يتركز نعل المسح على قطعة الشغل بتسطح. وإلا فقد يستعصي المسح ليؤدي إلى الإصابات.
- ◀ أمسك العدة الكهربائية جيداً بكلتا اليدين عند العمل، واحرص على أن تكون في وضعية ثابتة. يتم توجيه العدة الكهربائية بأمان بواسطة اليدين اللاتينين.

وصف المنتج والأداء

- ◀ اقرأ جميع إرشادات الأمان والتعليمات. ارتكاب الأخطاء عند تطبيق إرشادات الأمان والتعليمات، قد يؤدي إلى حدوث صدمات كهربائية أو إلى نشوب الحرائق و/أو الإصابة بجروح خطيرة.
- ◀ يرجى الرجوع إلى الصور الموجودة في الجزء الأول من دليل التشغيل.



الاستعمال المطابق للتعليمات

- ◀ العدة الكهربائية مخصصة لسمح مواد الشغل الخشبية كالعوارض والألواح مثلاً، بتزكيها بثبات على قطعة الشغل. وتصلح أيضاً لشطب الحواف وللتفريز.

الأجزاء المصورة

- ◀ يشير ترقيم الأجزاء المصورة إلى رسوم العدة الكهربائية الموجودة في صفحة الرسوم التخطيطية.

- (1) مقياس عمق النشارة
- (2) زر دوار لضبط عمق النشارة (سطح القبض معزول)
- (3) مقذف النشارة
- (4) زر تثبيت مفتاح التشغيل والإطفاء
- (5) مفتاح التشغيل والإطفاء
- (6) لولب لغطاء السير
- (7) غطاء السير
- (8) نعل المسحاج
- (9) حز بشكل V
- (10) مفتاح ربط توركس
- (11) لولب تثبيت لعنصر القمط
- (12) قطعة القمط
- (13) رأس السكين
- (14) حز توجيه لسكين السحج
- (15) سكين السحج HSS
- (16) مشبك تثبيت سكين السحج HSS

- ◀ اسحب القابس من المقبس و/أو اخلع المركم، إذا كان قابلاً للخلع، قبل ضبط الجهاز وقبل استبدال الملحقات أو قبل تخزين الجهاز. تمنع هذه الإجراءات وقائية تشغيل العدة الكهربائية بشكل غير مقصود.

- ◀ احتفظ بالعدد الكهربائية التي لا يتم استخدامها بعيداً عن متناول الأطفال. لا تسمح باستخدام العدة الكهربائية لمن لا خبرة له بها أو لمن لم يقرأ تلك التعليمات. العدد الكهربائية خطيرة إن تم استخدامها من قبل أشخاص دون خبرة.

- ◀ اعتن بالعدة الكهربائية والملحقات بشكل جيد. تأكد أن أجزاء الجهاز المتحركة مركبة بشكل سليم وغير مستعصية عن الحركة، وتفحص ما إن كانت هناك أجزاء مكسورة أو في حالة تؤثر على سلامة أداء العدة الكهربائية. ينبغي إصلاح هذه الأجزاء التالفة قبل إعادة تشغيل الجهاز. الكثير من الحوادث مصدرها العدد الكهربائية التي تتم صيانتها بشكل رديء.

- ◀ احرص على إبقاء عدد القطع نظيفة وحادة. إن عدد القطع ذات حواف القطع الحادة التي تم صيانتها بعناية تتكلم بشكل أقل ويمكن توجيهها بشكل أسير.

- ◀ استخدم العدد الكهربائية والتوايح وربش الشغل إلخ. وفقاً لهذه التعليمات. تراعى أثناء ذلك ظروف الشغل والعمل المراد تنفيذ.

- ◀ استخدام العدد الكهربائية لغير الأشغال المخصصة لأجلها قد يؤدي إلى حدوث الحلات الفظيرة.

- ◀ احرص على إبقاء المقابض وأسطح المسك جافة ونظيفة وخالية من الزيوت والشحوم. المقابض وأسطح المسك الزلقة لا تتيح التشغيل والتحكم الأيمن في العدة في المواقف غير المتوقعة.

الخدمة

- ◀ احرص على إصلاح عدتك الكهربائية فقط بواسطة العمال المتخصصين وباستعمال قطع الغيار الأصلية فقط. يضمن ذلك المحافظة على أمان الجهاز.

ملاحظات أمان المسحاج

- ◀ انتظر حتى توقف القاطعة قبل إسناد العدة. حيث يمكن أن تدخل القاطعة أثناء دورانها في سطح الارتكاز، مما يتسبب في فقدان السيطرة عليها وحوادث إصابات بالغة.

- ◀ أمسك العدة الكهربائية من أسطح المسك المعزولة حيث يمكن للسير أن يلامس السلك الخاص بها. قطع سلك «مكهرب» قد يتسبب في مرور التيار في الأجزاء المعدنية من العدة وجعلها مكهربة مما قد يصيب المشغل بصدمة كهربائية.

- ◀ استخدم قاطعات أو طريقة عملية أخرى لتأمين قطعة الشغل وتدعيمها على منصة ثابتة. مسك قطعة الشغل بيدك أو سندها على جسمك يجعلها غير ثابتة وقد يؤدي إلى فقدان السيطرة.

- ◀ وجه العدة الكهربائية نحو قطعة الشغل فقط عندما تكون في حالة التشغيل. قد يتشكل خطر الصدمات الارتدادية إن تكلمت عدة الشغل في قطعة الشغل.

- ◀ لا تدخل يدك في مقذف النشارة. فقد تتعرض للإصابة من جراء الأجزاء الدوارة.

تغيير سكين السحج HSS

◀ **احترس عند استبدال سكاكين السحج. لا تلمس سكاكين السحج من حواف القطع.** قد تصاب بجروح من جراء حواف القطع الحادة.

خلع سكين السحج (انظر الصور CA)

- لاستبدال سكاكين السحج، أدر رأس السكين (13) إلى أن تتوازى قطعة القمط (12) مع نعل المسحاج (8).
- قم بلف لولب التثبيت الثلاثة (11) باستخدام مفتاح الربط توركس (10) وأخلع قطعة القمط (12).
- ادفع مشبك التثبيت (16) مع سكين السحج (15) إلى خارج رأس السكين (13) أو الحز الدليلي (14).
- أدر رأس السكين بزاوية 180° وأخلع سكين السحج الثانية.

إرشاد: أخرج مشبك التثبيت (16) قبل استبدال أو إعادة شحذ سكاكين السحج من خلال حل لولب التثبيت (17).

إعادة شحذ سكين السحج HSS (انظر الصورة D)

باستخدام جهاز الشحذ (18) (توابع) وحجر الشحذ المتداول في الأسواق، يمكنك إعادة شحذ سكاكين السحج HSS المستهلكة أو الثالثة. ركب سكينتي السحج في تجهيزة الشحذ وثبتهما بواسطة اللولب الممتنع. احرص على دفع سكينتي السحج إلى الداخل حتى المصادمة.

حرك السكينتين المركبتين في تجهيزة الشحذ بضغط خفيف عبر حجر الجلغ.

إرشاد: يمكن إعادة شحذ سكاكين السحج بعد أقصى 6 مم وبعد أدنى للعرض 23 مم. بعد ذلك، يجب استبدال سكينتي السحج.

تركيب سكين السحج (انظر الصور FE)

قبل إعادة تركيب سكاكين السحج الجديدة أو التي تم إعادة شحذها، قم بتنظيف رأس السكين (13) وعند الضرورة سكين السحج (15) ومشبك التثبيت (16). نظف سكاكين السحج شديدة التصمغ بواسطة الكحول أو النفط.

إرشاد: يجب ضبط الارتفاع الصحيح لسكاكين السحج الجديدة أو التي تم إعادة شحذها دائما قبل تركيبها.

يتم استخدام مقياس الضبط (19) (التوابع) لضبط ارتفاع سكاكين السحج. ضع سكين السحج (15) ومشبك التثبيت (16) على مقياس الضبط. احرص على تعشيق مشبك التثبيت (16) في الحز المخصص لذلك. اضغط سكين السحج (15) نحو اتجاه المصادم وثبت مشبك التثبيت (16) في هذا الوضع بواسطة لولب التثبيت (17). وبذلك يتم التوصل إلى ضبط الارتفاع الصحيح بشكل أوتوماتيكي.

ينبغي تركيب سكين السحج ومماذاته في منتصف نعل المسحاج (8). ثم أحكم شد لولب التثبيت (11) الثلاثة بواسطة مفتاح الربط توركس (10). أثناء القيام بذلك، حافظ على ترتيب الشد الصحيح (①②③) المذكور على قطعة القمط (12).

إرشاد: تأكد من ثبات لولب التثبيت (11) قبل التشغيل. أدر رأس السكين (13) يدويا، وتأكد من عدم امتكك سكاكين السحج بأي شيء.

(17) لولب تثبيت لمشبك تثبيت سكين السحج HSS

(18) جهاز شحذ لسكين السحج HSS

(19) مقياس ضبط لسكين السحج HSS

(20) سكين السحج HM/TC^(A)

(21) مصد التوازي

(22) مقياس لعرض التفريز

(23) صامولة تثبيت لضبط عرض التفريز

(24) لولب تثبيت للمصد الزاوي أو مصد التوازي

(25) المصد الزاوي^(A)

(26) صامولة تثبيت لضبط الزاوية^(A)

(27) لولب تثبيت دليل عمق التفريز^(A)

(28) دليل عمق التفريز^(A)

(29) سنادة التخزين

(30) سير الدفع

(31) عجلة السير الكبيرة

(32) عجلة السير الصغيرة

(33) مقبض (مقبض مسك معزول)

(34) مهايي لتعديل سكين السحج من HSS إلى TC^(A)

(A) لا يتضمن إطار التوريد الاعتيادي التوابع المصورة أو المشروحة. تجد التوابع الكاملة في برنامجنا للتوابع.

البيانات الفنية

مسحاج		GHO 6500
رقم الصنف		0 601 596 0..
قدرة الدخل الاسمية	واط	650
عدد اللغات اللاحمل	دقة ^(A)	16500
عمق النشارة	مم	2,6 - 0
عمق التفريز	مم	9 - 0
عرض السحج الأقصى	مم	82
الوزن حسب EPTA-Procedure	كجم	2,8
01:2014		
فئة الحماية		II/□

تسري البيانات على جهد اسمي [U] يبلغ 230 فلت. قد تختلف تلك البيانات حسب اختلاف الجهد والطرزات الخاصة بكل دولة.

التركيب

◀ **اسمب القابس من مقبس الشبكة الكهربائية قبل إجراء أي عمل على العدة الكهربائية.**

اختيار سكين السحج

يمكن تجهيز العدة الكهربائية بسكاكين سحج مختلفة. عن طريق تركيب المهايي (34) (توابع)، يمكن تعديل العدة الكهربائية من سكاكين السحج HSS (15) إلى سكاكين السحج 2OHM/TC (20).

استبدل سكينتي السحج معا في آن واحد دائما عند استبدال السكاكين، وإلا فقد يؤدي اختلال الاتزان إلى اهتزازات، وقد تؤدي إلى تقليل العمر الافتراضي للعدة الكهربائية.

على المهائبي (34) أثناء ذلك في الحز الموجود على سكين السمج HM/TC (انظر الصورة R).

- قم بربط اللوالب (17).
- أدخل مشبك التثبيت (16) مع المهائبي (34) وسكين السمج (15) في رأس السكين (13) أو في الحز الدليلي (14).
- قم بتركيب قطعة القمط (12) واربط لوالب التثبيت (11) بشكل خفيف.
- ينبغي تركيب سكين السمج ومحاذاته في منتصف نعل المسحاج (8). ثم أحكم شد لوالب التثبيت (11) الثلاثة بواسطة مفتاح الربط توركس (10). أثناء القيام بذلك، حافظ على تسلسل الشد الصحيح (1) (2) (3) المذكور لقطعة القمط (12).

التحويل من HM/TC إلى HSS

- يمكن تحويل المسحاج المجهز بسكاكين السمج HM/TC إلى سكين سمح HSS.
- قم بفك لوالب التثبيت الثلاثة (11) باستخدام مفتاح الربط توركس (10) وانزع قطعة القمط (12).
 - ادفع مشبك التثبيت (16) مع سكين السمج (15) أو المهائبي (34HM/TC) إلى خارج رأس السكين (13).
 - قم بخلع البراغي (17).
 - قم بتركيب سكين السمج HSS المجمع (انظر تركيب سكين السمج (انظر الصورة FE)“، الصفحة 57) وقم بتوجيهها في منتصف نعل المسحاج (8).

- قم بتركيب مشبك التثبيت (12) وأحكم ربط لوالب التثبيت الثلاثة (11) باستخدام مفتاح الربط توركس (10). أثناء القيام بذلك، حافظ على تسلسل الشد الصحيح (1) (2) (3) المذكور لقطعة القمط (12).

شفط الغبار/النشارة

إن غبار بعض المواد كالطلاء الذي يحتوي على الرصاص، وبعض أنواع الخشب والفلزات والمعادن، قد تكون مضرّة بالصحة. إن ملامسة أو استنشاق غبار قد يؤدي إلى أعراض حساسية و/أو إلى أمراض الجهاز التنفسي لدى المستخدم أو لدى الأشخاص المتواجدين على مقربة من المكان.

تعتبر بعض الأغبرة المعينة، كأغبرة البلوط والزان، مسببة للسرطان، ولا سيما عند الارتباط بالمواد الإضافية لمعالجة الخشب (ملح حامض الكروميك، المواد الحافظة للخشب). يجوز أن يتم معالجة المواد التي تمتوي على الأسبستوس من قبل العمال المتخصصين فقط دون غيرهم.

- استخدم شافطة غبار ملائمة للمادة قدر الإمكان.
- حافظ على تهوية مكان الشغل بشكل جيد.
- ينصح بارتداء قناع وقاية للتنفس بفتحة المرشح P2.
- تراعى الأحكام السارية في بلدكم بالنسبة للمواد المرغوب معالجتها.

◀ **تجنب تراكم الغبار بمكان العمل.** يجوز أن تشتعل الأغبرة بسهولة.

قم بتنظيف مقذف النشارة (3) بشكل منتظم. استخدم عدة مناسبة، مثلاً قطعة خشب أو الهواء المضغوط، وإلخ، لتنظيف مقذف النشارة المسدود.

◀ **لا تدخل يدك في مقذف النشارة.** فقد تتعرض للإصابة من جراء الأجزاء الدوارة.

استبدال سكاكين السمج HM/TC

◀ **احترس عند استبدال سكاكين السمج. لا تلمس سكاكين السمج من حواف القطع.** قد تصاب بجروح من جراء حواف القطع المادية.

استخدم فقط سكاكين سمح HM/TC بوش الأصلية. سكاكين السمج المصنوعة من المعدن الصلب (HM/TC) مزودة بطرفين حادين للقطع مما يسمح بقلها. إذا أصبح طرفي القطع تالمين، يجب استبدال سكاكين السمج (20). لا يجوز إعادة شمد سكين السمج (HM/TC).

خلع سكين السمج (انظر الصور HG)

- أدر رأس السكين (13) لقلب سكاكين السمج أو استبدالها، إلى أن تتوازى قطعة القمط (12) مع نعل المسحاج (8).
- قم بخلع لوالب التثبيت الثلاثة (11) بواسطة مفتاح ربط التوركس (10) بمقدار 1-2 لفة تقريباً. لا ينبغي خلع قطعة القمط (12).
- أدر رأس السكين قليلاً وادفع سكين السمج (20) بواسطة قطعة خشبية جانباً إلى خارج رأس السكين (13).
- أدر رأس السكين بزاوية 180° واخلع سكين السمج الثانية.

تركيب سكين السمج (انظر الصور ال)

- يؤمن حز توجيه سكين السمج ضبط ارتفاع منتظم دائماً عند الاستبدال أو القلب.
- قم بتنظيف مرتكز السكين الخاص برأس السكين (13) وسكين السمج (20) عند الضرورة.
- احرص عند تركيب سكين السمج على استقراره بلا مشاكل في فتحة حاضن رأس السكين (13).
- ينبغي تركيب سكين السمج ومحاذاته في منتصف نعل المسحاج (8). ثم أحكم شد لوالب التثبيت (11) الثلاثة بواسطة مفتاح الربط توركس (10). أثناء القيام بذلك، حافظ على ترتيب الشد الصحيح (1) (2) (3) المذكور على قطعة القمط (12).
- **إرشاد:** تأكد من ثبات لوالب التثبيت (11) قبل التشغيل. أدر رأس السكين (13) يدوياً، وتأكد من عدم احتكاك سكاكين السمج بأي شيء.

استخدام مهائبي HM/TC

التحويل من HSS إلى HM/TC

باستخدام المهائبي HM/TC، يمكن تحويل المسحاج المجهز للاستخدام باستخدام سكاكين السمج HSS إلى سكاكين السمج HM/TC.

- قم بفك لوالب التثبيت الثلاثة (11) باستخدام مفتاح الربط توركس (10) وانزع قطعة القمط (12).
- ادفع مشبك التثبيت (16) مع سكين السمج (15) إلى خارج رأس السكين (13) أو الحز الدليلي (14).
- قم بخلع البراغي (17).
- قم بتركيب مشبك التثبيت (16) والمهائبي (34) في مقياس الضبط (19). يجب تعشيق مشبك التثبيت (16) في الحز الموجود على مقياس الضبط (انظر الصورة R).
- قم بتحريك سكين السمج (20HM/TC) على الجانب في المهائبي (34). يجب إدخال الشريط الموجود

استخدم دائما تجهيزة شفط خارجية أو كيس الغبار/
النشارة لضمان عملية شفط مثالية.

التشغيل

طرق التشغيل

ضبط عمق النشارة

يمكن ضبط عمق النشارة بواسطة الزر الدوار (2) دون تدوير من 0-2,6 مم بواسطة مقياس عمق النشارة (1) (تدريج المقياس = 0,1 مم).

سنادة التخزين (انظر الصورة N)

تتبع سنادة التخزين (29) تخزين العدة الكهربائية بعد إجراءات التشغيل مباشرة دون خطر إتلاف قطعة الشغل أو سكين السمج. أثناء عملية التشغيل، يتم تمريك سنادة التخزين (29) إلى الأعلى وتميرير الجزء الخلفي لنعل المسحاج (8).

التشغيل

◀ يراعى جهد الشبكة الكهربائية! يجب أن يتطابق جهد منبع التيار مع البيانات المذكورة على لوحة صنع العدة الكهربائية. يمكن أن يتم تشغيل العدة الكهربائية المميزة بعلامة 230 فلت في مقبس 220 فلت أيضا.

التشغيل والإطفاء

◀ تأكد أنه بإمكانك الضغط على زر التشغيل/الإيقاف دون ترك المقبض اليدوي.

لغرض تشغيل العدة الكهربائية اضغط على مفتاح التشغيل والإطفاء (5) واحتفظ به مضغوطا.

لغرض تثبيت مفتاح التشغيل/الإطفاء المضغوط (5)، اضغط على زر التثبيت (4).

لغرض إطفاء العدة الكهربائية، اترك مفتاح التشغيل والإطفاء (5) أو إذا كان مثبتا عن طريق زر التثبيت (4)، اضغط على مفتاح التشغيل والإطفاء (5) لوهلة قصيرة ثم اتركه.

إرشادات العمل

◀ اسحب القابس من مقبس الشبكة الكهربائية قبل إجراء أي عمل على العدة الكهربائية.

حركة السمج (انظر الصورة N)

اضبط عمق النشارة المرغوب وضع الجزء الأمامي لنعل المسحاج الخاص بالعدة الكهربائية (8) على قطعة الشغل.

◀ وجه العدة الكهربائية نحو قطعة الشغل فقط عندما تكون في حالة التشغيل. قد يتشكل خطر الصدمات الارتدادية إن تكلبت عدة الشغل في قطعة الشغل.

شغل العدة الكهربائية وحركها بدفع أمامي منتظم على السطح المرغوب معالجته.

للوصل إلى أسطح عالية الجودة اقتصر على العمل بدفع خفيف، واضغط على منتصف نعل المسحاج. عند معالجة المواد الصلبة كالخشب الصلب، مثلا، وعند استغلال عرض المسحاج الأقصى أيضا، اضبط عمق نشارة ضئيل فقط، وخفف دفع المسحاج عند الضرورة.

يقلل فرط الدفع الأمامي من جودة السطح وقد يؤدي إلى انسداد مقذف النشارة بشكل سريع.

إن سكاكين السمج الحادة هي فقط التي تنتج قدرة القطع الجيدة وتصون العدة الكهربائية.

تسمح سنادة التخزين (29) المركبة بمتابعة عملية السمج بعد التوقف عن العمل في أي نقطة على قطعة الشغل:

- ركز العدة الكهربائية على جزء قطعة الشغل المرغوب متابعة الشغل به مع ثني سنادة التخزين إلى الأسفل.

- قم بتشغيل العدة الكهربائية.

- قم بتحويل ضغط الارتكاز الموجود على نعل المسحاج الأمامي ودفع العدة الكهربائية ببطء نحو الأمام (1). أثناء ذلك، تتأرجع سنادة التخزين إلى الأعلى (2) بحيث يعود ويرتكز الجزء الخلفي لنعل المسحاج على قطعة الشغل.

- حرك العدة الكهربائية بدفع أمامي منتظم عبر السطح المرغوب معالجته (3).

شطب الحواف (انظر الصورة O)

يسمح المز على شكل V الموجود في نعل المسحاج الأمامي بشطب حواف قطعة الشغل بشكل سريع وسهل. استخدم المز على شكل V المناسب حسب عرض الشطب المرغوب. للقيام بهذا ضع المسحاج وبه المز على شكل V على حافة قطعة الشغل ومرره عليها.

الحز المستخدم	القاسم a (مم)
لا يوجد	4 - 0
صغير	6 - 2
متوسطة	9 - 4
كبير	10 - 6

السمج باستخدام مصد التوازي أو المصد الزاوي (انظر الصور MK)

قم بتركيب مصد التوازي (21) أو المصد الزاوي (25) بواسطة لولب التثبيت (24) بالعدة الكهربائية. حسب نوع العمل، قم بتركيب دليل عمق التفريز (28) بواسطة لولب التثبيت (27) بالعدة الكهربائية.

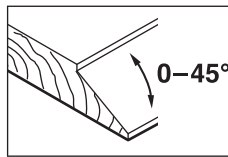
قم بحل صامولة التثبيت (23) واضبط عرض التفريز المرغوب على المقياس (22). أحكم ربط صامولة التثبيت (23) مرة أخرى.

اضبط عمق التفريز المرغوب بواسطة دليل عمق التفريز (28) بطريقة مناسبة.

كرر عملية السمج عدة مرات إلى أن تتوصل إلى عمق التفريز المرغوب. وجه المسحاج بضغط ارتكاز جانبي.

الشطب مع المصد الزاوي

اضبط زاوية الشطب المطلوبة بواسطة وسيلة الضبط الزاوي (26) عند شطب السطح والطايات.



الصيانة والخدمة

الصيانة والتنظيف

- ◀ اسحب القابض من مقبس الشبكة الكهربائية قبل إجراء أي عمل على العدة الكهربائية.
- ◀ للعمل بشكل جيد وأمن حافظ دائماً على نظافة العدة الكهربائية وفتحات التهوية .

حافظ على جرية الحركة الفاصدة بسنادة التخزين (29) ونظفها بشكل دوري.

تنظيف العدة الكهربائية من تلقاء نفسها، عند استهلاك فحمات الجليخ. ينبغي إرسال العدة الكهربائية إلى مركز خدمة العملاء لكي تتم صيانتها، تجد العناوين في جزء «خدمة العملاء واستشارات الاستخدام». إن تطلب الأمر استبدال كابل التوصيل، فينبغي أن يتم ذلك من قبل شركة بوش أو من قبل مركز خدمة عملاء وكالة بوش للعدد الكهربائية، لتجنب التعرض للمخاطر.

تغيير سير الدفع (انظر الصور Q-P)

قم بفك اللولب (6) واخلع غطاء السير (7). قم بخلع سير الدفع التالف (30).

قبل تركيب سير الدفع (30) الجديد، قم بتنظيف عجلتي الدفع (31) و (32).

ضع سير الدفع (30) الجديد على عجلة السير الصغيرة (32) أولاً ثم اضغط سير الدفع (30) أثناء إدارته يدوياً على عجلة السير الكبيرة (31).

احرص على إدارة سير الدفع (30) في المزوز الطولية بعجلتي السير (31) أو (32) بشكل دقيق.

ركب غطاء السير (7) وأحكم شد اللولب (6).

خدمة العملاء واستشارات الاستخدام

يجيب مركز خدمة العملاء على الأسئلة المتعلقة بإصلاح المنتج وصيانته، بالإضافة لقطع الغيار. تجد الرسوم التفصيلية والمعلومات الخاصة بقطع الغيار في الموقع: www.bosch-pt.com

يسر فريق Bosch لاستشارات الاستخدام مساعدتك إذا كان لديك أي استفسارات بخصوص منتجاتنا وملحقاتها.

www.powertool-portal.de. بوابة الإنترنت للرفييين والعمال اليدويين.

عند إرسال أية استفسارات أو طلبيات بخصوص قطع غيار يلزم ذكر رقم الصنف ذو الخانات العشر وفقاً للوحة صنع المنتج.

الجزائر

سيستال

منطقة المدادين الصناعية

06000 بجاية

هاتف: +213 (0) 982 400 991/2

فاكس: +213 (0) 3 420 1569

بريد إلكتروني: sav@siestal-dz.com

البحرين

مؤسسة حاتم الجفالي للمعدات الفنية.

مملكة البحرين، طريق ستره السريع، منطقة العكر

هاتف: +966126971777-311

فاكس: +97317704257

بريد إلكتروني: h.berjas@eajb.com.sa

مصر

يونيمار

20 مركز خدمات

التجمع الأول - القاهرة الجديدة

هاتف: +20 2224 76091-95

هاتف: +20 2224 78072-73

فاكس: +20222478075

بريد إلكتروني: adelzaki@unimaregypt.com

العراق

مجموعة الصهبا للتكنولوجيا

شارع مطار المثني

بغداد

هاتف: +9647901906953

هاتف دبي: +97143973851

بريد إلكتروني: bosch@sahbatechnology.com

الأردن

الجذور العربية Roots Arabia - الأردن

شارع ناصر بن جميل، المبنى 37 الرابية

11194 عمان

هاتف: +962 6 5545778

بريد إلكتروني: bosch@rootsjordan.com

الكويت

شركة القرين لتجارة السيارات

منطقة الشويخ الصناعية، مبنى 1، قطعة 16، شارع

رقم 3

صندوق بريد صندوق 164 - 13002 الصفاة

هاتف: 24810844

فاكس: 24810879

بريد إلكتروني: josephkr@aaalmutawa.com

لبنان

طحيني هنا وشركاه ش.ذ.م.م.

صندوق بريد صندوق 449-90

جديده

الدورة-بيروت

هاتف: +9611255211

بريد إلكتروني: service-pt@tehini-hana.com

المغرب

روبرب بوش المغرب ش.ذ.م.م.

53، زنقة الملازم محروم محمد

20300 كازابلانكا

بريد إلكتروني: sav.outillage@ma.bosch.com

عمان

ملتن للتجارة والمقاولات ش.م.م.

صندوق بريد صندوق 131

حي روي، 112 سلطة عمان

هاتف: +968 99886794

بريد إلكتروني: malatanpowertools@malatan.net

قطر

الدولية لطلول البناء ش.م.م.

صندوق بريد صندوق 51،

هاتف الدوحة: +974 40065458

فاكس: +974 4453 8585

بريد إلكتروني: csd@icsdoha.com

المملكة العربية السعودية

الجفالي وأخوانه للمعدات الفنية (جيتكو)

الكيلو 14، طريق المدينة، منطقة البوادي

حده 21431

هاتف: +966 2 6672222 فرعي 1528
فاكس: +966 2 6676308
بريد إلكتروني: roland@ejb.com.sa

سوريا

مؤسسة دلال للأدوات الكهربائية
صندوق بريد صندوق 1030
حلب
هاتف: +963212116083
بريد إلكتروني: rita.dallal@hotmail.com

تونس

روبرت بوش تونس ش.ذ.م.م.
7 زنقة ابن بطوطة Z.I. سان جوبان
مقرين رياض
2014 ابن عروس
هاتف: +216 71 427 496/879
فاكس: +216 71 428 621
بريد إلكتروني: sav.outillage@tn.bosch.com

الإمارات العربية المتحدة

المركزية للسيارات والمعدات ذ.م.م، صندوق بريد
صندوق 1984
شارع الوحدة - مبنى صناعاء القديمة
الشارقة
هاتف: +971 6 593 2777
فاكس: +971 6 533 2269
بريد إلكتروني: powertools@centralmotors.ae

اليمن

مؤسسة أبو الرجال التجارية
صناعاء، شارع الزبيري. أمام مبنى البرلمان الجديد
هاتف: +967-1-202010
فاكس: +967-1-279029
بريد إلكتروني: tech-tools@abualrejal.com

التخلص من العدة الكهربائية

ينبغي تسليم العدة الكهربائية والتوايح والعبوة إلى
مركز معالجة النفايات بطريقة محافظة على البيئة.
لا ترم العدة الكهربائية ضمن النفايات المنزلية.



آفارسى

دستورات ایمنى

نكات ایمنى عمومى برای ابزارهای برقى

⚠ هشدار کلیه هشدارها، دستورالعملها،

تصاویر و مشخصات ارائه شده به همراه ابزار برقى را مطالعه کنید. اشتباهات ناشی از عدم رعایت این دستورات ایمنى ممکن است باعث برق گرفتگی، سوختگی و یا سایر جراحات های شدید شود.

کلیه هشدارهای ایمنى و راهنماییها را برای آینده خوب نگهداری کنید.

عبارت «ابزار برقى» در هشدارها به ابزارهایی که به پرز برق متصل میشوند (با سیم برق) و یا ابزارهای برقى باترى دار (بدون سیم برق) اشاره دارد.

ایمنى محل کار

◀ محیط کار را تمیز و روشن نگه دارید. محیطهای در هم ریخته یا تاریک احتمال بروز حادثه را افزایش میدهند.

◀ ابزار برقى را در محیطهایی که خطر انفجار وجود دارد و حاوی مایعات، گازها و بخارهای محترقه هستند، به کار نگیرید. ابزارهای برقى جرقههایی ایجاد میکنند که میتوانند باعث آتش گرفتن گرد و غبارهای موجود در هوا شوند.

◀ هنگام کار با ابزار برقى، کودکان و سایر افراد را از دستگاه دور نگه دارید. در صورتیکه حواس شما پرت شود، ممکن است کنترل دستگاه از دست شما خارج شود.

ایمنى الکتریكى

◀ دوشاخه ابزار برقى باید با پرز برق تناسب داشته باشد. هیچگونه تغییری در دوشاخه ایجاد نکنید. مبدل دوشاخه نباید همراه با ابزار برقى دارای اتصال زمین استفاده شود. دوشاخههای اصل و تغییر داده نشده و پرزهای مناسب، خطر برق گرفتگی را کاهش میدهند.

◀ از تماس بدنى با قطعات متصل به سیم اتصال زمین مانند لوله، شوفاژ، اجاق برقى و یخچال خودداری کنید. در صورت تماس بدنى با سطوح و قطعات دارای اتصال به زمین و همچنین تماس شما با زمین، خطر برق گرفتگی افزایش می یابد.

◀ ابزارهای برقى را در معرض باران و رطوبت قرار ندهید. نفوذ آب به ابزار برقى، خطر شوک الکتریكى را افزایش میدهد.

◀ از سیم دستگاه برای مقاصد دیگر استفاده نکنید. هرگز برای حمل ابزار برقى، کشیدن آن یا خارج کردن دوشاخه از سیم دستگاه استفاده نکنید. کابل دستگاه را از حرارت، روغن، لپههای تیز یا قطعات متحرک دور نگه دارید. کابلهای آسیب دیده و یا گره خورده خطر شوک الکتریكى را افزایش میدهند.

◀ هنگام استفاده از ابزار برقى در محیطهای باز، تنها از کابل رابطى استفاده کنید که برای محیط باز نیز مناسب باشد. کابل های رابط مناسب برای محیط باز، خطر برق گرفتگی را کم می کنند.

◀ در صورت لزوم کار با ابزار برقى در محیط و اماکن مرطوب، باید از یک کلید حفاظتی جریان خطا و نشتی زمین (کلید قطع کننده اتصال با زمین) استفاده کنید. استفاده از کلید حفاظتی جریان خطا و نشتی زمین خطر برق گرفتگی را کاهش می دهد.

رعایت ایمنى اشخاص

◀ حواس خود را خوب جمع کنید، به کار خود دقت کنید و با فکر و هوشیاری کامل با ابزار برقى کار کنید. در صورت خستگی و یا در صورتی که مواد مخدر، الکل و دارو استفاده کردهاید، با ابزار برقى کار نکنید. یک لحظه بی توجهی هنگام کار با ابزار برقى، میتواند جراحات های شدیدی به همراه داشته باشد.

◀ از تجهیزات ایمنى شخصی استفاده کنید. همواره از عینک ایمنى استفاده نمایید. استفاده از تجهیزات ایمنى مانند ماسک ضد گرد و غبار، کفشهای ایمنى ضد لغزش، کلاه ایمنى و گوشی محافظ متناسب با نوع کار با ابزار برقى، خطر مجروح شدن را کاهش میدهد.

◀ مواظب باشید که ابزار برقى بطور ناخواسته بکار نیفتد. قبل از وارد کردن دوشاخه دستگاه در

پرز برق، اتصال آن به باترى، برداشتن آن و یا حمل دستگاه، باید دقت کنید که ابزار برقى خاموش باشد. در صورتی که هنگام حمل دستگاه انگشت شما روی دکمه قطع و وصل باشد و یا دستگاه را در حالت روشن به برق بزنید، ممکن است سوانع کارى پیش آید.

◀ قبل از روشن کردن ابزار برقى، همه ابزارهای تنظیم کننده و آپارها را از روی دستگاه بردارید. ابزار و آپارهایی که روی بخش های چرخنده دستگاه قرار دارند، میتوانند باعث ایجاد جراحات شوند.

◀ وضعیت بدن شما باید در حالت عادى قرار داشته باشد. برای کار جای مطمئنى برای خود انتخاب کرده و تعادل خود را همواره حفظ کنید. به این ترتیب میتوانید ابزار برقى را در وضعیتهای غیر منتظره بهتر تحت کنترل داشته باشید.

◀ لباس مناسب بپوشید. از پوشیدن لباسهای گشاد و حمل زینت آلات خودداری کنید. موها و لباس خود را از بخشهای در حال چرخش دستگاه دور نگه دارید. لباسهای گشاد، موی بلند و زینت آلات ممکن است در قسمتهای در حال چرخش دستگاه گیر کنند.

◀ در صورتی که تجهیزاتی برای اتصال وسائل مکش گرد و غبار و یا وسیله جمع کننده گرد و غبار ارائه شده است، باید مطمئن شوید که این وسائل درست نصب و استفاده می شوند. استفاده از وسائل مکش گرد و غبار مصونیت شما را در برابر گرد و غبار زیادتر میکند.

◀ آشنایی با ابزار به دلیل کار کردن زیاد با آن نباید باعث سهل انگاری شما و نادیده گرفتن اصول ایمنى شود. بی دقتی ممکن است باعث بروز جراحاتی در عرض کسری از ثانیه شود.

- قسمتهای فلزی ابزار برقی حامل "جریان برق" شوند و باعث بروز شوک الکتریکی یا برق گرفتگی گردند.
- ◀ جهت ایمن و تثبیت کردن قطعه کار از گیره یا سایر راههای تثبیت قطعه استفاده کنید.
- نگهداشتن قطعه کار با دست یا تکیه دادن آن به بدن باعث بی ثباتی آن و از دست دادن کنترل روی آن میگردد.
- ◀ ابزار برقی را تنها در حال روشن بودن به طرف قطعه کار برانید. در غیر اینصورت ممکن است ابزار روی دستگاه در قطعه کار گیر کرده و باعث ضربه زدن (پس زدن) دستگاه شود.
- ◀ دستهای خود را به محل خروج تراشه نزدیک نکنید. ممکن است، خود را با قسمتهای در حال چرخش مجروح کنید.
- ◀ سرگز اشیاء فلزی، پیچ یا میخ را رنده نکنید. تیغه و محور تیغه میتواند صدمه دیده و باعث شوند که لرزش ها زیاد بشوند.
- ◀ برای پیدا کردن لوله ها و سیم های پنهان موجود در ساختمان و محدوده کار، از یک دستگاه ردیاب مخصوص برای یافتن لوله ها و سیمهای تأسیسات استفاده کنید و یا با شرکت های کارهای تأسیسات ساختمان و خدمات مربوطه تماس بگیرید. تماس با کابل و سیمهای برق ممکن است باعث آتشسوزی و یا برق گرفتگی شود. ایراد و آسیب دیدگی لوله گاز میتواند باعث انفجار شود. سوراخ شدن لوله آب، باعث خسارت و یا برق گرفتگی میشود.
- ◀ رنده را هنگام کار طوری نگهدارید که کف رنده همسطح روی قطعهکار قرار گیرد. وگرنه ممکن است که رنده گیر بکند و باعث زخمی شدن شما بشود.
- ◀ ابزار برقی را هنگام کار با دو دست محکم بگیرید و وضعیت خود را ثابت و مطمئن کنید. ابزار برقی با دو دست مطمئن تر هدایت می شود.

توضیحات محصول و کارکرد

همه دستورات ایمنی و راهنماییها را بخوانید. اشتباهات ناشی از عدم رعایت این دستورات ایمنی ممکن است باعث برقگرفتگی، سوختگی و یا سایر جراحات های شدید شود.



به تصویرهای واقع در بخشهای اول دفترچه راهنما توجه کنید.

موارد استفاده از دستگاه

ابزار برقی برای رنده کاری مواد چوبی و نیز تیر و تخته در حالت ثابت در نظر گرفته شده است. همچنین برای مورب کردن لبه ها و شیار انداختن مناسب است.

اجزاء دستگاه

شماره های اجزاء دستگاه که در تصویر مشاهده میشود، مربوط به شرح ابزار برقی می باشد که تصویر آن در این دفترچه آمده است.

- (1) صفحه درجه بندی عمق تراش
- (2) دکمه ی گردان برای تنظیم عمق تراش
- (3) محل خروج تراشه و خاک اره

- استفاده صحیح از ابزار برقی و مراقبت از آن
- ◀ از وارد کردن فشار زیاد روی دستگاه خودداری کنید. برای هر کاری، از ابزار برقی مناسب با آن استفاده کنید. بکار گرفتن ابزار برقی مناسب باعث میشود که بتوانید از توان دستگاه بهتر و با اطمینان بیشتر استفاده کنید.
- ◀ در صورت ایراد در کلید قطع و وصل ابزار برقی، از دستگاه استفاده نکنید. ابزار برقی که نمی توان آنها را قطع و وصل کرد، خطرناک بوده و باید تعمیر شوند.
- ◀ قبل از تنظیم ابزار برقی، تعویض متعلقات و یا کنار گذاشتن آن، دوشاخه را از برق بکشید و یا باتری آنرا خارج کنید. رعایت این اقدامات پیشگیری ایمنی از راه افتادن ناخواسته ابزار برقی جلوگیری می کند.
- ◀ ابزار برقی را در صورت عدم استفاده، از دسترس کودکان دور نگه دارید و اجازه ندهید که افراد ناوارد و یا اشخاصی که این دفترچه راهنما را نخواندهاند، با این دستگاه کار کنند. قرار گرفتن ابزار برقی در دست افراد ناوارد و بی تجربه خطرناک است.
- ◀ از ابزار برقی و متعلقات خوب مراقبت کنید. مواظب باشید که قسمت های متحرک دستگاه خوب کار کرده و گیر نکنند. همچنین دقت کنید که قطعات ابزار برقی شکسته و یا آسیب دیده نباشند. قطعات آسیب دیده را قبل از شروع به کار تعمیر کنید. علت بسیاری از سوانح کاری، عدم مراقبت کامل از ابزارهای برقی می باشد.
- ◀ ابزار برش را تیز و تمیز نگه دارید. ابزار برشی که خوب مراقبت شده و از لبه های تیز برخوردار است، کمتر در قطعه کار گیر کرده و بهتر قابل هدایت است.
- ◀ ابزار برقی، متعلقات، متنها دستگاه و گیره را مطابق دستورات این جزوه راهنما به کار بگیرید و به شرایط کاری و نوع کار نیز توجه داشته باشید. استفاده از ابزار برقی برای عملیاتی به جز مقاصد در نظر گرفته شده، میتواند به بروز شرایط خطرناک منجر شود.
- ◀ دستنها و سطوح عایق را همواره خشک، تمیز و عاری از روغن و گریس نگه دارید. دسته های لغزنده مانع ایمنی و کنترل در کار در شرایط غیر منتظره هستند.

سرویس

- ◀ برای تعمیر ابزار برقی فقط به متخصصین حرفهای رجوع کنید و از قطعات یدکی اصل استفاده نمایید. این باعث خواهد شد که ایمنی دستگاه شما تضمین گردد.

دستورات ایمنی برای رنده

- ◀ قبل از تنظیم ابزار، صبر کنید تا نیغه برش شود. محور تیغه چرخان و آزاد میتواند با سطح درگیر شود و منجر به از دست دادن کنترل یا ایجاد جراحات گردد.
- ◀ ابزار برقی را از محل سطوح عایق دار آن در دست بگیرید، زیرا امکان تماس تیغه برش با کابل برق دستگاه وجود دارد. در صورت برخورد با یک کابل حامل "جریان برق" ممکن است

رندہ		GHO 6500
وزن مطابق استاندارد EPTA- Procedure 01:2014	kg	2,8

کلاس ایمنی II/□
مقادیر برای ولتاژ نامی [230] I ولت میباشند. برای ولتاژهای مختلف و تولیدات مخصوص کشورها، ممکن است این مقادیر متفاوت باشند.

نصب

◀ **پیش از انجام هرگونه کاری بر روی ابزار الکتریکی، دو شاخه اتصال آنرا از داخل پریز برق بیرون بکشید.**

انتخاب تیغه رنده

این وسیله برقی را میتوان با تیغه های مختلف رنده مجهز نمود.
با قرار دادن تبدیل (34) (متعلقات) می توان تیغه رنده های (15HSS)) را با تیغه رنده های (20HM/TC)) جا به جا کرد.
در زمان تعویض تیغه ها هر دو تیغه را تعویض بنمایید، وگرنه لنگی بوجود آمده باعث لرزش شده و عمر وسیله برقی را کوتاه خواهد نمود.

تعویض تیغه رنده HSS

◀ **هنگام تعویض تیغه رنده احتیاط کنید. تیغه رنده را از لبه های بُرنده نگیرید.** لبه های تیز تیغه رنده ممکن است شما را زخمی کند.

برداشتن تیغه رنده (رجوع کنید به تصاویر C-A)

- جهت بر عکس کردن یا جایگزین کردن تیغه های رنده، سر تیغه (13) را بچرخانید تا فک گیره (12) با فک رنده (8) موازی باشد.
 - هر سه پیچ اتصال (11) را بوسیله ی آچار آلن ستاره ای (10) بیرون بکشید و فک گیره (12) را بردارید.
 - گیره نگهدارنده (16) را همراه با تیغه رنده (15) از سر تیغه (13) یا از شیار راهنما (14) بیرون بکشید.
 - سر تیغه را به مقدار 180° بچرخانید و تیغه ی رنده ی دوم را بردارید.
- نکته: قبل از تعویض یا تیز کردن تیغه های رنده، گیره ی نگهدارنده (16) را با شل کردن پیچ اتصال (17) جدا کنید.

تیز کردن تیغه رنده HSS (رجوع کنید به تصویر D)

با استفاده از تجهیزات تیز کننده (18) (متعلقات) و یک سنگ تیزکن می توان گندی یا فرسودگی تیغه رنده های HSS را تیز کرد.
هر دو تیغه رنده را در دستگاه تراش و تیز کننده قرار داده و آنها را با پیچ پروانه ای سفت بندید. توجه بنمایید که هر دو تیغه رنده خوب جای بیافتند. تیغه رنده ای را که در دستگاه تراش و تیز کننده قرار داده اید بطور یکنواخت و با وارد کردن فشار کم بر روی سنگ تیز کننده حرکت بدهید.
نکته: تیغه ها می توانند تا بیشینه ی 6 میلیمتر روی پهنای 23 میلیمتری تیز شوند. پس آن بایستی هر دو تیغه را عوض کرد.

- (4) دکمه قفل و تثبیت کلید قطع و وصل دستگاه
- (5) کلید قطع و وصل
- (6) پیچ برای روکش تسمه
- (7) روکش تسمه
- (8) کف رنده
- (9) شیار V-شکل
- (10) آچار آلن ستاره ای
- (11) پیچ تثبیت برای درپوش گیره ای
- (12) فک گیره
- (13) سر تیغه
- (14) شیار راهنما برای تیغه رنده
- (15) تیغه رنده HSS
- (16) فلاپ نگهدارنده تیغه رنده HSS
- (17) پیچ تثبیت فلاپ نگهدارنده تیغه رنده HSS
- (18) تجهیزات تیزکننده برای تیغه رنده HSS
- (19) خطکش تنظیم تیغه رنده HSS
- (20) تیغه رنده HM/TC^(A)
- (21) خط کش راهنمای موازی
- (22) صفحه درجه بندی برای عرض شیار
- (23) مهره تثبیت برای تنظیم عرض شیار
- (24) پیچ تثبیت برای نگهدارنده زاویه/خطکش راهنمای موازی
- (25) نگهدارنده زاویه^(A)
- (26) مهره تثبیت برای تنظیم زاویه^(A)
- (27) پیچ تثبیت نگهدارنده شیار^(A)
- (28) نگهدارنده عمق شیار^(A)
- (29) کفش پارکینگ
- (30) تسمه موتور
- (31) چرخ تسمه بزرگ
- (32) چرخه تسمه کوچک
- (33) دسته (دارای سطح عایق)
- (34) تبدیل تعویض تیغه رنده HSS به تیغه رنده^(ATC)

(A) کلیه متعلقاتی که در تصویر و یا در متن آمده است، بطور معمول همراه دستگاه ارائه نمی شود. لطفاً لیست کامل متعلقات را از فهرست برنامه متعلقات اقتباس نمایید.

مشخصات فنی

رندہ		GHO 6500
شماره فنی	0 601 596 0..	
قدرت ورودی نامی	650	W
سرعت در حالت آزاد	16500	دقیقه ¹
عمق تراش	2,6 - 0	میلیم تر
عمق شیار	9 - 0	میلیم تر
حد اکثر عرض رنده	82	میلیم تر

آلن ستاره ای (10) سفت کنید. در این حین روی فک گیره (12) ترتیب سفت کردن (①②③) را رعایت کنید. **نکته:** قبل از راه اندازی از اتصال محکم پیچهای اتصال (11) اطمینان حاصل کنید. سر تیغه رنده (13) را با دست بچرخانید و مطمئن شوید که تیغه رنده به هیچ جا مالیده نمیشود.

استفاده از تبدیل HM/TC

تعویض از HSS به HM/TC

توسط تبدیل HM/TC می توان یک تیغه ااره مجهز به HSS را با یک تیغه ااره مجهز به HM/TC تعویض کرد.

- هر 3 پیچ اتصال (11) را بوسیله ی آچار آلن ستاره ای (10) بیرون بکشید و فک گیره (12) را بردارید.
- گیره نگهدارنده (16) را همراه با تیغه رنده (15) از سر تیغه (13) یا از شیار راهنما (14) بیرون بکشید.
- پیچها (17) را بردارید.
- گیره نگهدارنده (16) و تبدیل (34) را در خطکش تنظیم (19) قرار دهید. گیره نگهدارنده (16) بایستی در شیار واقع بر خطکش تنظیم قرار گیرد (رجوع کنید به تصویر R).
- تیغه رنده (20HM/TC) را از کنار به داخل تبدیل (34) برانید. زوار روی تبدیل (34) بایستی در این حین روی تیغه رنده HM/TC جا بیفتد (رجوع کنید به تصویر R).

- پیچها (17) را سفت کنید.
- گیره نگهدارنده (16) را همراه با تبدیل (34) و تیغه رنده (15) در سر تیغه (13) یا شیار راهنما (14) قرار دهید.
- فک گیره (12) را قرار دهید و پیچهای اتصال (11) را شل ببینانید.
- باید تیغه ی رنده در وسط کف رنده (8) قرار گیرد و تراز شود. سپس هر 3 پیچهای اتصال (11) را با آچار آلن ستاره ای (10) سفت کنید. در این حین روی فک گیره (12) ترتیب سفت کردن (①②③) را رعایت کنید.

تعویض از HM/TC به HSS

تیغه رنده های مجهز به HM/TC را می توان با تیغه های HSS عوض کرد.

- هر 3 پیچ اتصال (11) را بوسیله ی آچار آلن ستاره ای (10) بیرون بکشید و فک گیره (12) را بردارید.
- گیره نگهدارنده (16) را همراه با تیغه رنده (15) یا تبدیل (34HM/TC) از سر تیغه (13) بیرون بکشید.
- پیچها (17) را بردارید.
- تیغه رنده مونتاژی HSS (رجوع کنید به „برداشتن تیغه رنده (رجوع کنید به تصاویر F-E)“، صفحه 65) را نصب و آن را وسط کف رنده (8) تراز کنید.
- فک گیره (12) را قرار دهید و هر 3 پیچ اتصال (11) را بوسیله ی آچار آلن ستاره ای (10) محکم کنید. در این حین روی فک گیره (12) ترتیب سفت کردن (①②③) را رعایت کنید.

مکش گرد، براده و تراشه

گرد و غبار موادی مانند رنگ های دارای سرب، بعضی از چوب ها، مواد معدنی و فلزات میتوانند برای سلامتی مضر باشند. دست زدن و یا تنفس کردن گرد و غبار ممکن است باعث بروز آلرژی و یا

برداشتن تیغه رنده (رجوع کنید به تصاویر F-E)
قبل از گذاشتن دوباره ی تیغه ی نو یا تیز شده، سر تیغه (13) و تیغه ی رنده (15) و در صورت نیاز گیره ی نگهدارنده (16) را تمیز کنید. تیغه ی رنده ی سوخته را با الکل یا نفت تمیز کنید.

نکته: تیغه های رنده نو یا تیز شده بایستی قبل از قرار گرفتن همواره با ارتفاع صحیح تنظیم شوند. برای تنظیم ارتفاع می توان از خطکش تنظیم (19) (متعلقات) استفاده کرد. تیغه رنده (15) و گیره نگهدارنده (16) را روی خطکش تنظیم قرار دهید. دقت کنید که گیره نگهدارنده (16) در شیار مورد نظر جا بیفتد. تیغه رنده (15) را به طرف نگهدارنده فشار دهید و آن را در همین حالت در گیره نگهدارنده (16) توسط پیچ تثبیت (17) محکم کنید. اینگونه تنظیم ارتفاع صحیح بدست می آید.

باید تیغه ی رنده در وسط کف رنده (8) قرار گیرد و تراز شود. سپس هر 3 پیچهای اتصال (11) را با آچار آلن ستاره ای (10) سفت کنید. در این حین روی فک گیره (12) ترتیب سفت کردن (①②③) را رعایت کنید. **نکته:** قبل از راه اندازی از اتصال محکم پیچهای اتصال (11) اطمینان حاصل کنید. سر تیغه رنده (13) را با دست بچرخانید و مطمئن شوید که تیغه رنده به هیچ جا مالیده نمیشود.

تعویض تیغه رنده HM/TC

◀ **هنگام تعویض تیغه رنده احتیاط کنید. تیغه رنده را از لبه های بُرنده نگیرید.** لبه های تیز تیغه رنده ممکن است شما را زخمی کند.

تنها از تیغه های رنده اصل HM/TC Bosch استفاده کنید.

تیغه های رنده ی از فلز سخت (HM/TC) دو لبه دارند و می توانند از دو طرف استفاده شوند. در صورتی که هر دو لبه کند باشند، بایستی تیغه رنده ها (20) را عوض نمود. تیغه های HM/TC را نباید تیز کرد.

برداشتن تیغه رنده (رجوع کنید به تصاویر H-G)

- جهت بر عکس کردن یا جایگزین کردن تیغهای رنده، سر تیغه (13) را بچرخانید تا فک گیره (12) با کف رنده (8) موازی شود.
- هر سه پیچ اتصال (11) را بوسیله ی آچار آلن ستاره ای (10) حدود 1-2 چرخش شل کنید. فک گیره (12) نباید برداشته شود.
- سر تیغه رنده را کمی بچرخانید و با یک تکه چوب، تیغه رنده (20) کمی از طرف کنار سر تیغه رنده (13) بیرون برانید.
- سر تیغه را به مقدار 180° بچرخانید و تیغه ی رنده ی دوم را بردارید.

نصب تیغه رنده (رجوع کنید به تصاویر J-L)

شیار هادی تیغه رنده باعث میشود که موقع تعویض و یا برگرداندن تیغه رنده همیشه تنظیم ارتفاع یکنواخت وجود داشته باشد.

در صورت لزوم جای نشستن تیغه در سر تیغه (13) و نیز تیغه رنده (20) را تمیز کنید.

هنگام نصب دقت کنید تا تیغه ی رنده بدون عیب در قسمت گیرنده سر تیغه (13) قرار گیرد.

باید تیغه ی رنده در وسط کف رنده (8) قرار گیرد و تراز شود. سپس هر 3 پیچهای اتصال (11) را با آچار

جهت **خاموش کردن** ابزار برقی، کلید قطع و وصل (5) را رها کنید یا در صورت قفل بودن دکمه تثبیت (4) کلید قطع و وصل (5) را کوتاه فشار دهید و آن را رها کنید.

راهنمائیهای عملی

◀ **پیش از انجام هرگونه کاری بر روی ابزار الکتریکی، دوشاخه اتصال آنرا از داخل پریز برق بیرون بکشید.**

فرآیند رنده کاری (رجوع کنید به تصویر N)

عمق تراش دلخواه را تنظیم کنید و ابزار برقی را با قسمت جلویی کف رنده (8) روی قطعه کار قرار دهید.

◀ **ابزار برقی را تنها در حال روشن بودن به طرف قطعه کار برانید.** در غیر اینصورت ممکن است ابزار روی دستگاه در قطعه کار گیر کرده و باعث ضربه زدن (پس زدن) دستگاه شود.

وسيله برقی را روشن نموده و آنرا با حرکت یکنواخت بر روی سطح وسیله کاری بطرف جلو حرکت دهید. برای اینکه سطوح کار شما دارای کیفیت عالی باشد، لازم است که شما فقط با فشار کم و با فشار بر وسط کف رنده وسیله برقی را بمرکت در بیاورید.

چنانچه شما بر روی اشیاء سخت مانند چوب های سفت کار میکنید و از حداکثر پهنای رنده استفاده می نمایید، عمق تراش را بسیار کم تنظیم نموده و در صورت لزوم از سرعت و فشار رنده بطرف جلو بکاهید.

سرعت و فشار زیاد رنده بطرف جلو باعث میشود که سطح کار شما دارای کیفیت خوبی نباشد و ممکن است که موجب گرفتگی آن قسمتی بشود که از آنجا تراشه ها بیرون ریخته میشوند.

فقط تیغه های تیز رنده ها باعث کیفیت خوب برش های شما میشوند و در سالم ماندن وسیله برقی کمک میکنند.

کفش پارک (29) ادامه رنده کاری را پس از توقف در هر جای دلخواه روی قطعه کار ممکن می سازد:

- وسیله برقی را با کفش پارکینگی را که آنرا بطرف پایین خم کرده اید، بر روی قطعه کاری را که متوقف کرده بودید بگذارید و به رنده کردن خود ادامه دهید.

- ابزار برقی را روشن کنید.

- فشار روی کار را به کف جلویی رنده منتقل کنید و ابزار برقی را آرام به جلو برانید (1). در این حالت، کفش پارک به بالا می رود (2)، به طوری که قسمت عقبی کف رنده روی قطعه کار قرار می گیرد.

- ابزار برقی را با فشار متعادل روی سطح مورد کار (3) حرکت دهید.

تماس با لبه ها (رجوع کنید به تصویر O)

شیارهایی که در قسمت جلوی کف رنده وجود دارند، دست زدن سریع و ساده به لبه های قطعه های کاری را ممکن میسازند. از شیار V-شکل مربوط بر حسب عرض یخ استفاده کنید. از این جهت رنده را از شیار V شکل روی قطعه کار قرار دهید و رنده را در امتداد آن برانید.

بیماری مجاری تنفسی شخص استفاده کننده و یا افرادی که در آن نزدیکی میباشند، بشود.

گرد و غبارهای مخصوصی مانند گرد و غبار درخت بلوط و یا درخت راش سرطان زا هستند، بخصوص ترکیب آنها با سایر موادی که برای کار بر روی چوب (کرومات، مواد برای محافظت از چوب) بکار برده میشوند. فقط افراد متخصص مجازند با موادی که دارای آزیست میباشند کار کنند.

- حتی الامکان از یک دستگاه مکش مناسب و درخور ماده (قطعه کار) استفاده کنید.

- توجه داشته باشید که محل کار شما از تهویه هوای کافی برخوردار باشد.

- توصیه میشود از ماسک تنفسی ایمنی با درجه فیلتر P2 استفاده کنید.

به قوانین و مقررات معتبر در کشور خود در رابطه با استفاده از مواد و قطعات کاری توجه کنید.

◀ **از تجمع گرد و غبار در محل کار جلوگیری کنید.** گرد و غبار می توانند به آسانی مشتعل شوند.

محفظه ی تراشه (3) را مرتب تمیز کنید. برای تمیز کردن محفظه ی تراشه ی پر شده از یک ابزار مناسب مانند یک تکه چوب، فشار هوا و غیره استفاده کنید.

◀ **دستهای خود را به محل خروج تراشه نزدیک نکنید.** ممکن است، خود را با قسمتهای در حال چرخش مجروح کنید.

جهت تضمین مکش ایده آل همیشه از یک تجهیزات مکش مجزا یا یک کیسه تراشه/گرد و غبار استفاده کنید.

طرز کار با دستگاه

انواع عملکرد

تنظیم عمق تراش

با دکمه ی چرخان (2) می توان عمق تراش را بدون درجه به مقدار 0-2,6 به کمک درجه بندی عمق تراش (1) (تقسیم درجه = 0,1 میلیمتر) تنظیم کرد.

کفش پارک (رجوع کنید به تصویر N)

کفش پارک (29) قرار دادن ابزار برقی را بلافاصله پس از فرآیند کار بدون بروز خطر آسیب دیدگی قطعه کار یا تیغه رنده ممکن می کند. هدگام کار کفش پارک (29) به بالا رانده و انتهای کف اره (8) آزاد می شود.

راه اندازی و نحوه کاربرد دستگاه

◀ **به ولتاژ شبکه برق توجه کنید! ولتاژ منبع جریان برق باید با مقادیر موجود بر روی برچسب ابزار الکتریکی مطابقت داشته باشد. ابزارهای برقی را که با ولتاژ V 230 ولت مشخص شده اند، می توان تحت ولتاژ V 220 ولت نیز بکار برد.**

نحوه روشن و خاموش کردن

◀ **از فعال کردن کلید قطع و وصل بدون رها کردن دسته مطمئن شوید.**

برای **راهاندازی** ابزار برقی، کلید قطع و وصل (5) را فشار داده و آنرا در حالت فشرده نگهدارید.

برای **ثابت کردن** کلید قطع و وصل فشرده شده (5) دکمه ی تثبیت (4) را فشار دهید.

تسمه موتور (30) نو را ابتدا روی چرخ تسمه کوچک (32) قرار دهید و سپس تسمه موتور (30) را با چرخش توسط دست روی چرخ تسمه بزرگ (31) ببندید.

دقت کنید که تسمه موتور (30) درست روی فرورفتگی طولی چرخهای تسمه (31) یا (32) حرکت کند.

روکش تسمه (7) را قرار دهید و پیچ (6) را سفت کنید.

خدمات و مشاوره با مشتریان

دفتر خدمات پس از فروش به سئوالات شما در باره تعمیرات، سرویس و همچنین قطعات یدکی و متعلقات پاسخ خواهد داد. نقشه‌های سه بعدی و اطلاعات در مورد قطعات یدکی را در تارنمای زیر میابید: www.bosch-pt.com

تیم مشاوره کاربری Bosch به سئوالات شما در مورد محصولات ما و متعلقات آنها پاسخ می‌دهد. www.powertool-portal.de سامانه اینترنتی برای صنعتگران و مشاغل فنی.

برای هرگونه سؤال و یا سفارش ابزار یدکی و متعلقات، حتماً شماره فنی ده رقمی کالا را مطابق برچسب روی ابزار برقی اطلاع دهید.

ایران

روبرت بوش ایران - شرکت بوش تجارت پارس
میدان ونک، خیابان شهید خدای، خیابان آفتاب
ساختمان مادیران، شماره 3، طبقه سوم.
تهران 1994834571
تلفن: 42039000 +9821

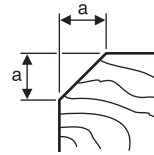
از رده خارج کردن دستگاه

ابزار برقی، متعلقات و بسته بندی آن، باید طبق مقررات حفظ محیط زیست از رده خارج و بازیافت شوند.

ابزارهای برقی را داخل زباله دان خانگی نیاندازید!



اندازه a (میلیمتر)	شماره کاررفته
4-0	بدون
6-2	کوچک
9-4	متوسط
10-6	بزرگ



رنده کاری با خطکش راهنمای موازی/نگهدارنده زاویه (رجوع کنید به تصاویر M-K)

خط کش راهنمای موازی (21) یا خط کش زاویه (25) را با یک پیچ اتصال (24) روی ابزار برقی نصب کنید. بر حسب نوع کاربری، نگهدارنده عمق شیار (28) را با پیچ (27) روی ابزار برقی نصب کنید.

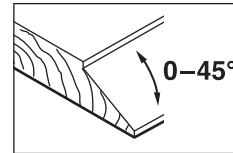
مهره تثبیت (23) را باز و عرض شیار دلخواه را روی درجه بندی (22) تنظیم کنید. مهره تثبیت (23) را دوباره سفت کنید.

عمق شیار دلخواه را به کمک نگهدارنده عمق شیار (28) به طور مناسب تنظیم کنید.

چندین بار کار رنده کردن را تکرار نمایید تا عمق دلخواه بدست آید. بر روی رنده از بغل فشار آورده و هدایت کنید.

مورب کردن به کمک نگهدارنده زاویه

هنگام مورب کردن شیارها و سطوح، زاویه آریب مورد نیاز را با تنظیم زاویه (26) تنظیم کنید.



مراقبت و سرویس

مراقبت، تعمیر و تمیز کردن دستگاه

پیش از انجام هرگونه کاری بر روی ابزار الکتریکی، دوشاخه اتصال آنرا از داخل پریز برق بیرون بکشید.

ابزار الکتریکی و شیارهای تهویه آنرا تمیز نگاه دارید، تا ایمنی شما در کار تضمین گردد.

پارک کفش (29) را آزاد بگذارید و آن را مرتب تمیز کنید.

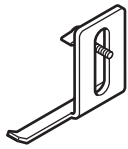
در صورت تمام شدن زغال، ابزار برقی بطور خودکار خاموش می‌شود. در اینصورت بایستی ابزار برقی در اسرع وقت به خدمات پس از فروش ارجاع گردد، آدرس‌های مربوطه را در بخش "خدمات و مشاوره به مشتریان" می‌یابید.

در صورت نیاز به یک کابل یدکی برای اتصال به شبکه برق، بایستی به شرکت بوش و یا به نمایندگی مجاز بوش (خدمات پس از فروش) برای ابزار آلات برقی بوش مراجعه کنید تا از بروز خطرات ایمنی جلوگیری بعمل آید.

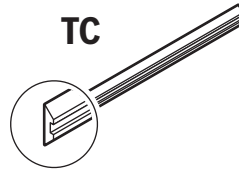
تعویض تسمه موتور (رجوع کنید به تصاویر Q-P)

پیچ (6) را کاملاً بیرون بکشید و روکش تسمه (7) را بردارید. تسمه موتور (30) بسته شده را بردارید.

قبل از نصب یک تسمه موتور (30) هر دو چرخ تسمه (31) و (32) را تمیز کنید.

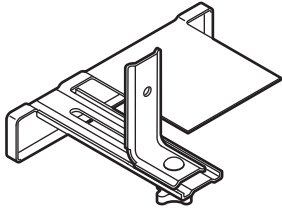


2 607 000 073

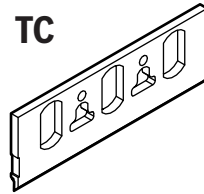


TC

2 607 000 194
(2x)

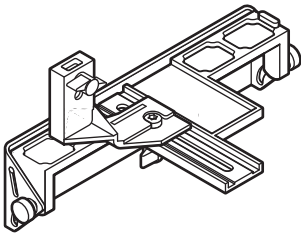


2 607 000 102

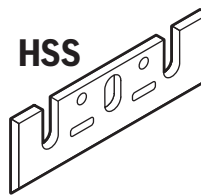


TC

1 619 PB3 487

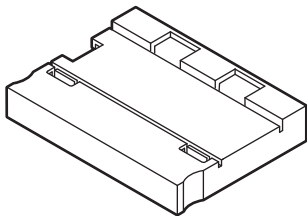


2 607 001 077
(45°)

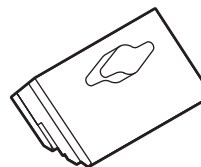


HSS

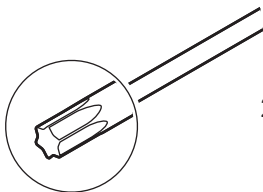
2 607 000 193
(2x)



2 607 970 002



2 608 133 002



2 607 950 031