

# FS-3A

## Floatless level switch

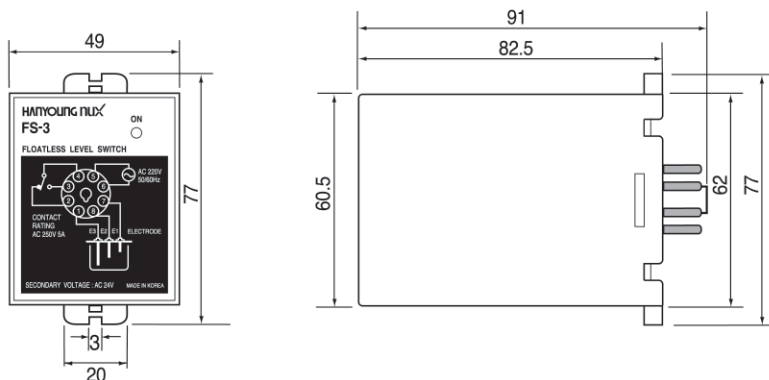
- Recommendable for water level control for irrigation, water purification
- Compact size and simple installation
- Operation state is indicated by the LED



### Specification

Model	FS-3 A (High sensitivity)	FS-3 A (Low sensitivity)
Power Supply Voltage	110 V AC / 220 V AC 50/60 Hz	
Allowable voltage fluctuation range	± 10 % of the power supply voltage	
Voltage between the electrodes secondary voltage	24 V AC	8 V AC
Power consumption	Approx. 3.2 VA	
Response time	Max 80 ms when operating, max 160 ms when returning	
Operation resistance between electrodes	0 – approx. 27 KΩ	0 – approx. 7 KΩ
Return resistance between electrodes	Approx. 38 KΩ – ∞Ω	Approx. 15 KΩ – ∞Ω
Control output	Relay contact output (1c) : 250 V AC 5 A (Resistive load)	
Insulation resistance	100 MΩ min (measured with 500 V DC) between electricity conduction part and exposed non-charged metal part	
Dielectric strength	2000 V AC (50 – 60 Hz) for 1 minute between the two charged terminals	
Vibration resistance	10 – 55 Hz per 1 minute, with 0.76 mm amplitude, for 2 hours in each of X, Y and z directions	
Shock resistance	300 m/s <sup>2</sup>	
Durability	Mechanically more than 5 million times (relay type), electrically more than 500 thousand times (load resistance)	
Ambient temperature	-10 ~ 50 °C (Under the condition of no ice formation)	
Ambient humidity	35 ~ 85 % RH	

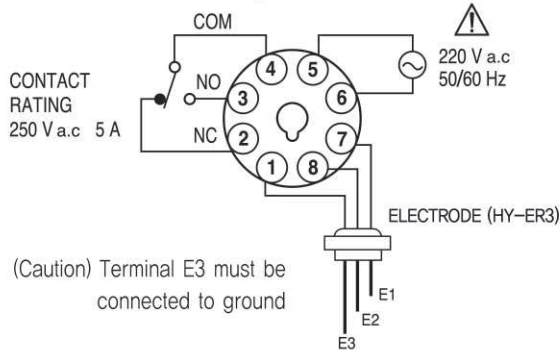
### Dimension (Unit : mm)





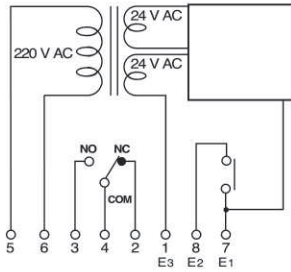
## Connection diagram

### External connection diagram

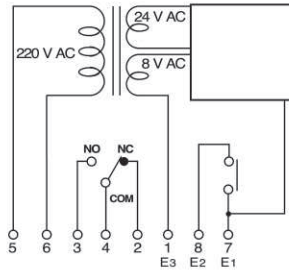


### Internal connection diagram

#### ① High sensitivity

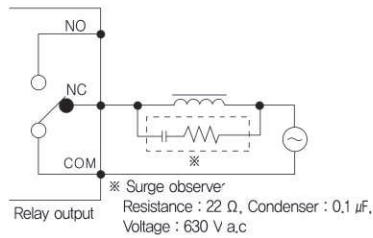


#### ② Low sensitivity



### Regarding the connection of load

- Attaching the surge observer at each end of inducible load (motor, solenoid and etc) as shown on the right side will prevent noise



### HY-ER3

Appearance	Dimension