



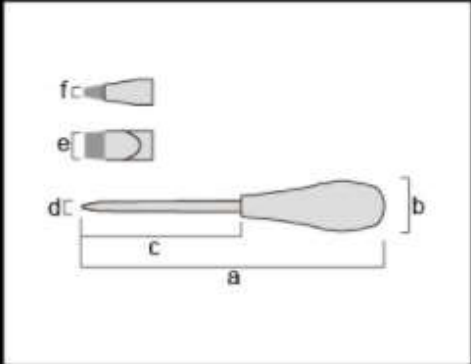
FPSD-35-100

Professional Screwdriver

the shaft: Fully hardened chrome vanadium steel
the point of blade: Black point treatment, magnet type
the grip: easy to fit

SPECIFICATIONS

Size(mm)	190mm
Weight(g/w)	44g/w
Package size (H x W x D mm)	-
JAN	4952520406175
a	190mm
b	27mm
c	100mm
d	3.5mm
e	3.5mm
f	0.5mm





FPSD-4-150

Professional Screwdriver

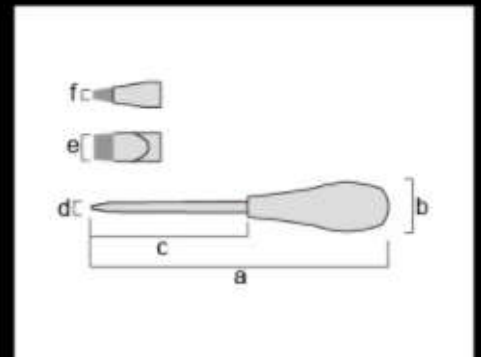
the shaft: Fully hardened chrome vanadium steel

the point of blade: Black point treatment, magnet type

the grip: easy to fit

SPECIFICATIONS

Size(mm)	240mm
Weight(g/w)	48g/w
Package size (H x W x D mm)	-
JAN	4952520406182
a	240mm
b	27mm
c	150mm
d	4.0mm
e	4.0mm
f	0.6mm





FPSD-4-200

Professional Screwdriver

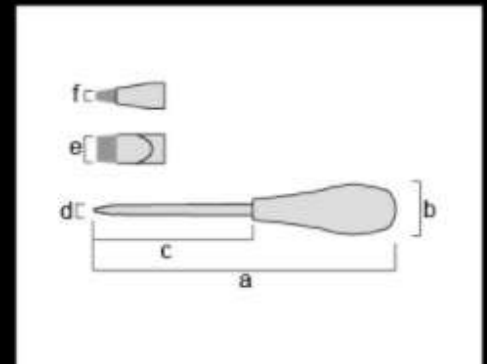
the shaft: Fully hardened chrome vanadium steel

the point of blade: Black point treatment, magnet type

the grip: easy to fit

SPECIFICATIONS

Size(mm)	290mm
Weight(g/w)	101g/w
Package size (H x W x D mm)	-
JAN	4952520406199
a	290mm
b	27mm
c	200mm
d	4.0mm
e	4.0mm
f	0.6mm





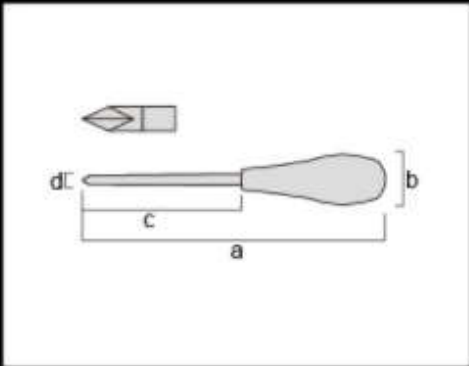
FPSD+0-100

Professional Screwdriver

the shaft: Fully hardened chrome vanadium steel
the point of blade: Black point treatment, magnet type
the grip: easy to fit

SPECIFICATIONS

Size(mm)	190mm
Weight(g/w)	44g/w
Package size (H x W x D mm)	-
JAN	4952520406205
a	190mm
b	27mm
c	100mm
d	3.5mm





FPD+0-150

Professional Screwdriver

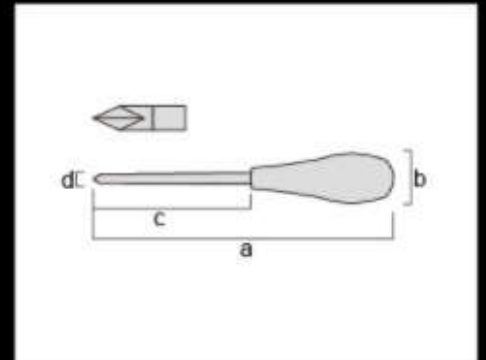
the shaft: Fully hardened chrome vanadium steel

the point of blade: Black point treatment, magnet type

the grip: easy to fit

SPECIFICATIONS

Size(mm)	240mm
Weight(g/w)	48g/w
Package size (H x W x D mm)	-
JAN	4952520406212
a	240mm
b	27mm
c	150mm
d	4.0mm





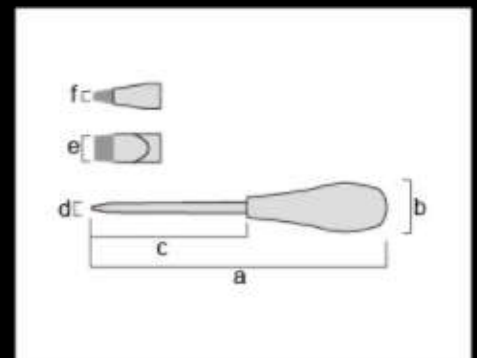
FPSD-45-75

Professional Screwdriver

the shaft: Fully hardened chrome vanadium steel
the point of blade: Black point treatment, magnet type
the grip: easy to fit

SPECIFICATIONS

Size(mm)	165mm
Weight(g/w)	49g/w
Package size (H x W x D mm)	-
JAN	4952520406229
a	165mm
b	27mm
c	75mm
d	4.5mm
e	4.5mm
f	0.6mm





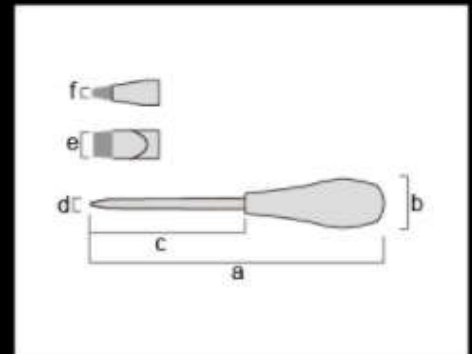
FPSD-45-100

Professional Screwdriver

the shaft: Fully hardened chrome vanadium steel
the point of blade: Black point treatment, magnet type
the grip: easy to fit

SPECIFICATIONS

Size(mm)	190mm
Weight(g/w)	44g/w
Package size (H x W x D mm)	-
JAN	4952520406236
a	190mm
b	27mm
c	100mm
d	4.5mm
e	4.5mm
f	0.6mm





FPSD+1-75

Professional Screwdriver

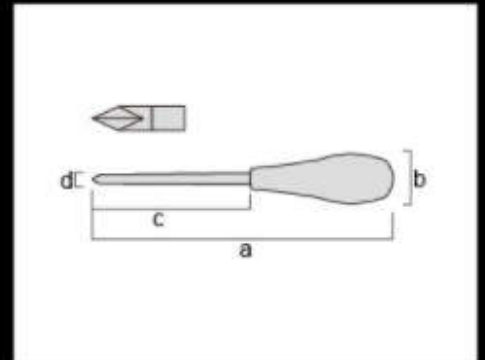
the shaft: Fully hardened chrome vanadium steel

the point of blade: Black point treatment, magnet type

the grip: easy to fit

SPECIFICATIONS

Size(mm)	165mm
Weight(g/w)	49g/w
Package size (H x W x D mm)	-
JAN	4952520406243
a	165mm
b	27mm
c	75mm
d	4.5mm





FPSD+1-100

Professional Screwdriver

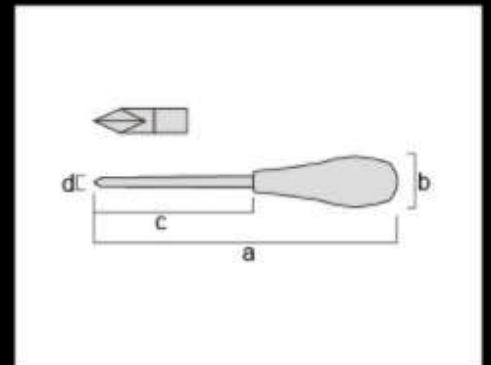
the shaft: Fully hardened chrome vanadium steel

the point of blade: Black point treatment, magnet type

the grip: easy to fit

SPECIFICATIONS

Size(mm)	190mm
Weight(g/w)	50g/w
Package size (H x W x D mm)	-
JAN	4952520406250
a	190mm
b	27mm
c	100mm
d	4.5mm





FPSD-6-100

Professional Screwdriver

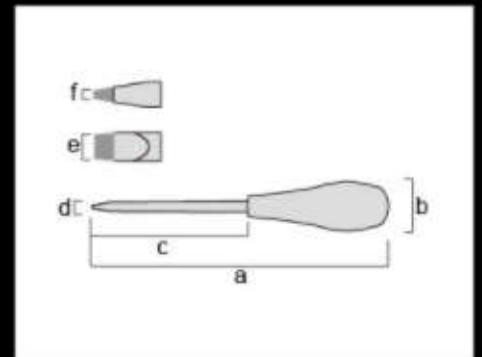
the shaft: Fully hardened chrome vanadium steel

the point of blade: Black point treatment, magnet type

the grip: easy to fit

SPECIFICATIONS

Size(mm)	210mm
Weight(g/w)	90g/w
Package size (H x W x D mm)	-
JAN	4952520406267
a	210mm
b	33mm
c	100mm
d	6.0mm
e	6.0mm
f	0.8mm





FPSD-6-150

Professional Screwdriver

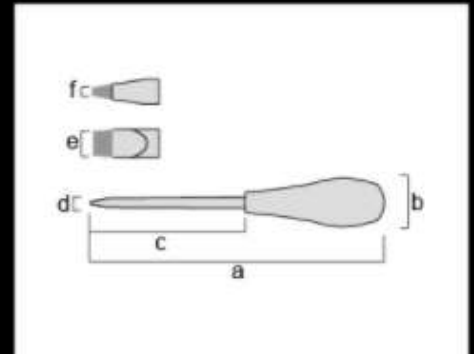
the shaft: Fully hardened chrome vanadium steel

the point of blade: Black point treatment, magnet type

the grip: easy to fit

SPECIFICATIONS

Size(mm)	260mm
Weight(g/w)	101g/w
Package size (H x W x D mm)	-
JAN	4952520406274
a	260mm
b	33mm
c	150mm
d	6.0mm
e	6.0mm
f	0.8mm





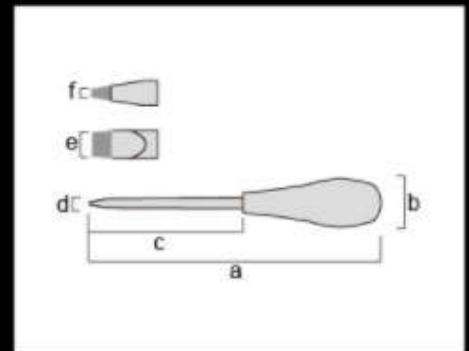
FPSD-6-200

Professional Screwdriver

the shaft: Fully hardened chrome vanadium steel
the point of blade: Black point treatment, magnet type
the grip: easy to fit

SPECIFICATIONS

Size(mm)	310mm
Weight(g/w)	108g/w
Package size (H x W x D mm)	-
JAN	4952520406281
a	310mm
b	33mm
c	200mm
d	6.0mm
e	6.0mm
f	0.8mm





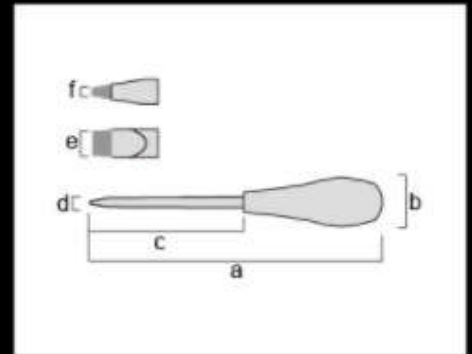
FPSD-6-250

Professional Screwdriver

the shaft: Fully hardened chrome vanadium steel
 the point of blade: Black point treatment, magnet type
 the grip: easy to fit

SPECIFICATIONS

Size(mm)	360mm
Weight(g/w)	117g/w
Package size (H x W x D mm)	-
JAN	4952520406298
a	360mm
b	33mm
c	250mm
d	6.0mm
e	6.0mm
f	0.8mm





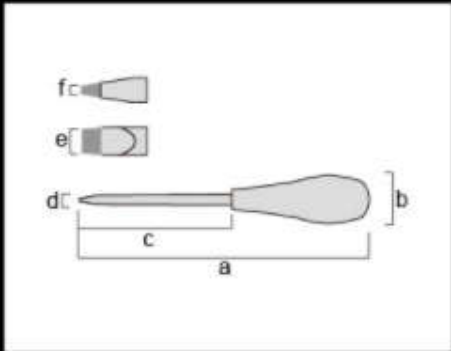
FPSD-6-300

Professional Screwdriver

the shaft: Fully hardened chrome vanadium steel
the point of blade: Black point treatment, magnet type
the grip: easy to fit

SPECIFICATIONS

Size(mm)	410mm
Weight(g/w)	134g/w
Package size (H x W x D mm)	-
JAN	4952520406304
a	410mm
b	33mm
c	300mm
d	6.0mm
e	6.0mm
f	0.8mm





FPSD+2-100

Professional Screwdriver

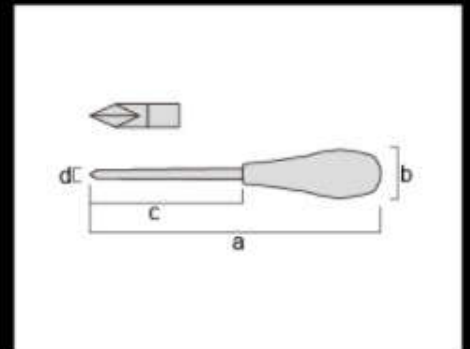
the shaft: Fully hardened chrome vanadium steel

the point of blade: Black point treatment, magnet type

the grip: easy to fit

SPECIFICATIONS

Size(mm)	210mm
Weight(g/w)	90g/w
Package size (H x W x D mm)	-
JAN	4952520406311
a	210mm
b	33mm
c	100mm
d	6.0mm





FPSD+2-150

Professional Screwdriver

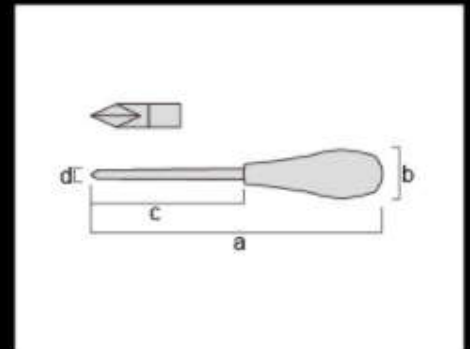
the shaft: Fully hardened chrome vanadium steel

the point of blade: Black point treatment, magnet type

the grip: easy to fit

SPECIFICATIONS

Size(mm)	260mm
Weight(g/w)	101g/w
Package size (H x W x D mm)	-
JAN	4952520406328
a	260mm
b	33mm
c	150mm
d	6.0mm





FPSD+2-200

Professional Screwdriver

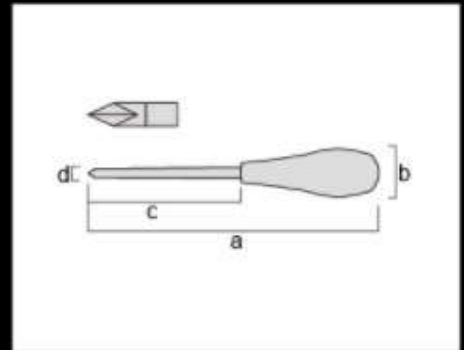
the shaft: Fully hardened chrome vanadium steel

the point of blade: Black point treatment, magnet type

the grip: easy to fit

SPECIFICATIONS

Size(mm)	310mm
Weight(g/w)	108g/w
Package size (H x W x D mm)	-
JAN	4952520406335
a	310mm
b	33mm
c	200mm
d	6.0mm





FPSD+2-250

Professional Screwdriver

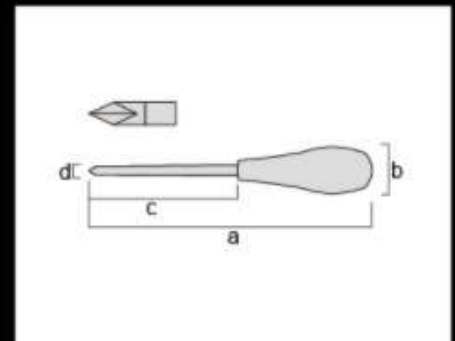
the shaft: Fully hardened chrome vanadium steel

the point of blade: Black point treatment, magnet type

the grip: easy to fit

SPECIFICATIONS

Size(mm)	360mm
Weight(g/w)	117g/w
Package size (H x W x D mm)	-
JAN	4952520406342
a	360mm
b	33mm
c	250mm
d	6.0mm





FPD+2-300

Professional Screwdriver

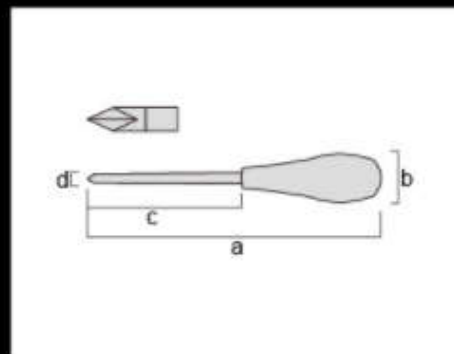
the shaft: Fully hardened chrome vanadium steel

the point of blade: Black point treatment, magnet type

the grip: easy to fit

SPECIFICATIONS

Size(mm)	410mm
Weight(g/w)	134g/w
Package size (H x W x D mm)	-
JAN	4952520406359
a	410mm
b	33mm
c	300mm
d	6.0mm





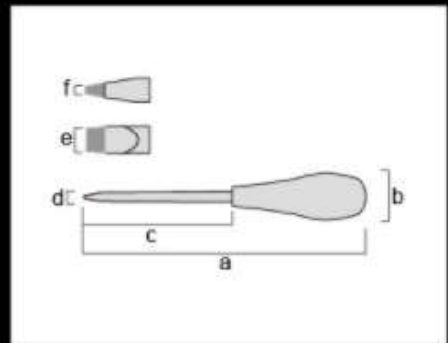
FPSD-8-150

Professional Screwdriver

the shaft: Fully hardened chrome vanadium steel
 the point of blade: Black point treatment, magnet type
 the grip: easy to fit

SPECIFICATIONS

Size(mm)	280mm
Weight(g/w)	101g/w
Package size (H x W x D mm)	-
JAN	4952520406366
a	280mm
b	39mm
c	150mm
d	8.0mm
e	8.0mm
f	1.0mm





FPSD+3-150

Professional Screwdriver

the shaft: Fully hardened chrome vanadium steel

the point of blade: Black point treatment, magnet type

the grip: easy to fit

SPECIFICATIONS

Size(mm)	280mm
Weight(g/w)	101g/w
Package size (H x W x D mm)	-
JAN	4952520406373
a	280mm
b	39mm
c	150mm
d	8.0mm

